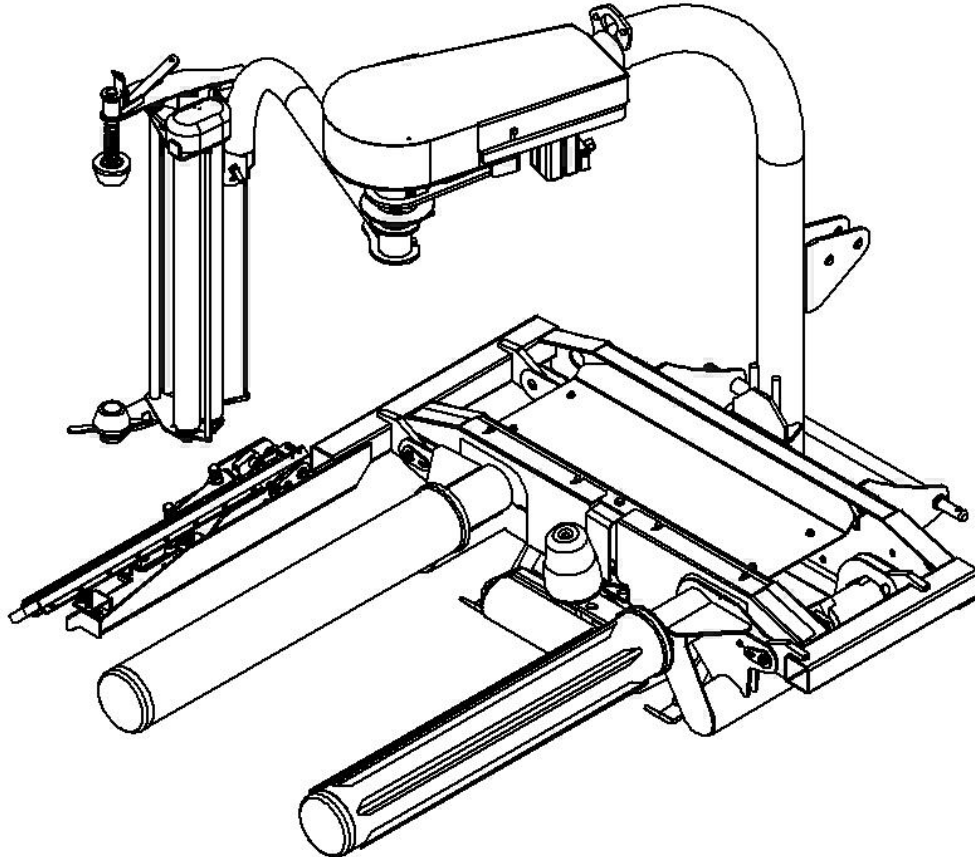


- SPARE PARTS LIST

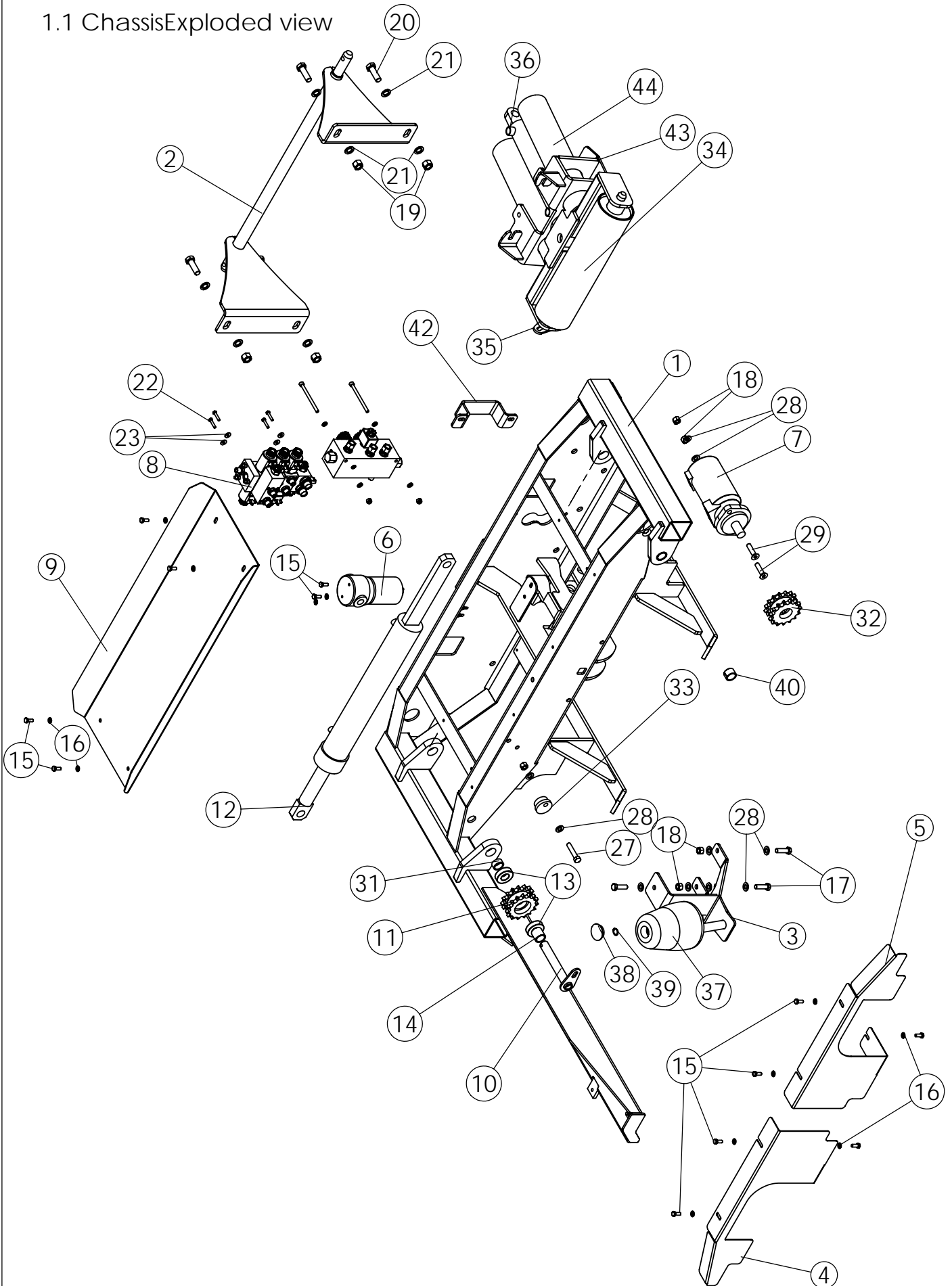


We recommend that when you need spare parts, you should use only original parts.

When ordering spare Parts use the following:

- Drawings are marked with a position number.
- On the accompanying table you will find the position number, its equivalent part number and description. The entire part number and description must always be relayed on ordering.
- **IMPORTANT!**  
When ordering always give the serial number on the wrapping machine and specify the Model of Machine.
- All orders must go through your local Tanco Dealer. To prevent confusion all orders must be faxed or e-mailed to Tanco Autowrap.

1.1 ChassisExploded view



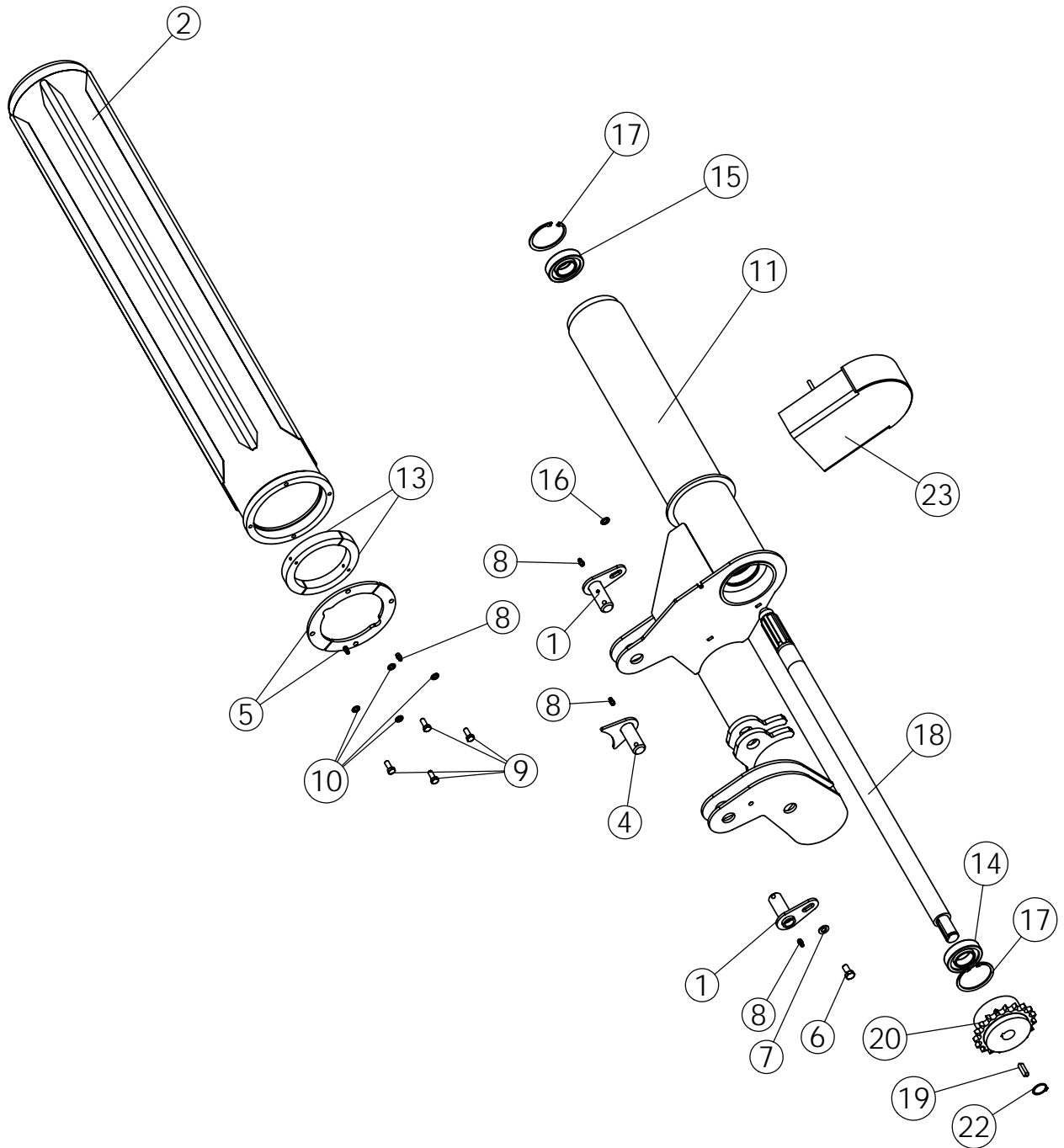


1.2 Chassis Parts list

ITEM NO.	PartNo	DESCRIPTION	QTY.
1	1101000	1100 Chassis	1
2	1101260	Lower link bracket	1
3	1101300	Bale stop Bracket	1
4	1101221	Chain cover right	1
5	1101220	Chain cover left	1
6	1308070	Filter complete	1
7	1308802	motor	1
8	1108200	Inlet Control valve	1
9	1101216	Valve cover	1
10	1102245	1100 long Pin c/w Grease Nipple	1
11	1102230	15 T 3/4 Double simplex sprocket.	1
12	1108100	1100 70/40 Squeeze ram	1
13	1305015	Bearing	2
14	1101226	Spacer	1
15	Z26-039S	M8 X 20 HEX bolt	12
16	Z10-02-08	Washer M8	10
17	Z26-084	M12 x 40 Hex Set	3
18	1503509	E-Stop slide plate	6
19	34232100	M16 Locknut	4
20	34111500	Bolt M16 x 50mm	4
21	34302125	Washer M16	8
22	Z26-022S	M6 x 30 Bolt	4
23	Z11-02-06	6mm Mud Washer	2
24	Z11-02-06	6mm Mud Washer	2
25	34302121	M8 Flat washer	6
26	Z13-08x110	M8 x 110 allen head bolt	2
27	Z26-088S	M12x60 Hex Set	1
28	Z10-02-12	M. 12 Flat Washer	10
29	Z13-5-12x50	M12 x 50 C-sunk Bolt	2
30	34230500	M8 Locknut	2
31	1101227	Spacer	1
32	1102229	15 T 3/4 Double simplex sprocket.	1
33	21910793	chain tensioner	1
34	1301380	4 " Roller assy	1
35	1301393	Roller Pin	1
36	34001131	Tip Frame Cylinder	1
37	34340106	Small bale stop roller	1
38	34450419	Plastic cap	1
39	34240713	17 mm ext circlip	1
40	1101231	Profile	1
41	1508020	adjustment block	1
42	1101239	Profile	1
43	1301360	End-Tip Assy	1
44	1101390	Pusher frame	1

Note: items 34, 36, 43 & 44 are part of optional end tip kit: 1108050

## 2.1 Roller arm exploded



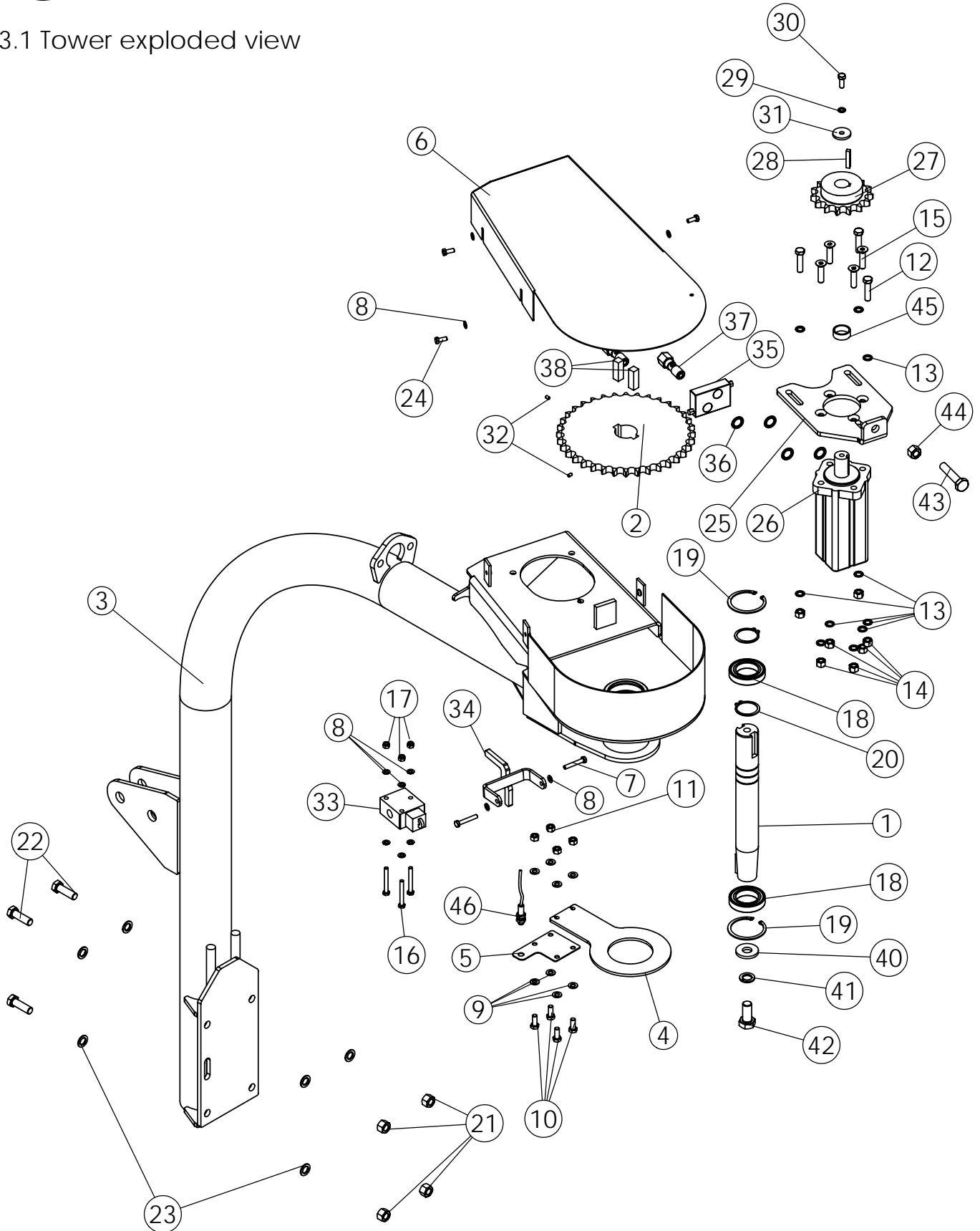


2.2 Roller arm parts list

ITEM NO.	PartNo	DESCRIPTION	QTY.
1	1102240	Main Arm Pivot Pin	2
2	1102200	Gripped Roller	1
2 b	1102250	Smooth Roller	1
4	1102248	1100 Ram Pin	1
5	1102227	Retraining Half Ring	2
6	34110014	M10 x 20mm Bolt	1
7	34302122	M10 Washer	1
8	34061915	M8x1 Grease Nipple	5
9	Z26-039S	M8 X 20 HEX bolt	4
10	Z12-02-08	M8 Spring Washer	4
11	1102150	Roller Frame (L)	1
11b	1102170	Roller Frame (R)	1
13	1102224	Nylon Bearing	2
14	34321521	Bearing SKF 7202 BE	1
15	1102232	Bearing CSA 207	1
16	Z12-02-10	10mm Spring Washer	1
17	34240100	Circlip I72	2
18	1102219	Splined Drive Shaft	1
19	34270111	8 x 7 x 30 Key steel	1
20	1102221	19 T 3/4 sprocket.	1
20b	1102228	19 T Sprocket freewheel	1
22	1305017	Cir-clip 25mm	1
23	1102260	Chain cover small	1

items with suffix b are used on the Right hand Roller arm!

3.1 Tower exploded view





3.2 Tower parts list

ITEM NO.	PartNo	DESCRIPTION	QTY.
1	1505231	Wrap arm shaft 08	1
2	1503241	36 t x 1 inch Sprocket	1
3	1103190	1100 Tower Assembly	1
4	1103115	Actuating profile	1
5	1103116	Stainless profile	1
6	1103200	Chain cover	1
7	Z26-047b	M8 x 50 Hex Set	2
8	34302121	M8 Flat washer	11
9	34302122	M10 Washer	8
10	34110015	M10 x 25 Bolt	4
11	34230900	M10 Locknut	4
12	Z26-086S	M12 x 50 Hex Set	3
13	34302123	Washer M12	10
14	1503509	E-Stop slide plate	7
15	Z13-5-12x50	M12 x 50 C-sunk Bolt	4
16	Z26-047b	M8 x 65 bolt zinc	3
17	34230500	M8 Locknut	3
18	34320503	Bearing	2
19	34240702	Circlip Ext 80 mm	2
20	34240703	Cir Clip Ext 50 mm dia.	2
21	34232100	M16 Locknut	4
22	34111500	Bolt M16 x 50mm	3
23	34302125	Washer M16	7
24	Z26-039S	M8 X 20 HEX bolt	3
25	1503247	Motor Mounting Plate	1
26	Z01-02-RF200	Hydraulic Motor	1
27	Z06-160-046	Sprocket ( 15T x 1" pitch )	1
28	WD66-053	Key Steel	1
29	Z12-02-10	10mm Spring Washer	1
30	Z27-023S	3/8" x 1" Long UNC Hex Set	1
31	WD623-071	Retaining Collar	1
32	34119081	M8 grub srew	2
33	1103109	E-Stop valve	1
34	1103220	E-stop lever	1
35	Z01-03-004	Cross line Relief Valve	1
36	Z01-04-03	1/2" BSP Dowty Washer	4
37	Z01-03-002B	1/2" BSP Bottom Banjo Bolt	2
38	1503173	Profile	3
39	1103171	Drive shaft spacer	1
40	34302139	Heavy washer	1
41	Z12-02-20	M20 Spring washer	1
42	Z26-161S	M20 x 40 x 2.5 bolt	1
43	Z26-130S	M16 x 80 set	1
44	Z23-16	M16 Locknut	1
45	1503172	15xx Motor spacer	1
46	1309203	Sensor 4m	1
26*	Z01-RF200	Motor Seal kit	

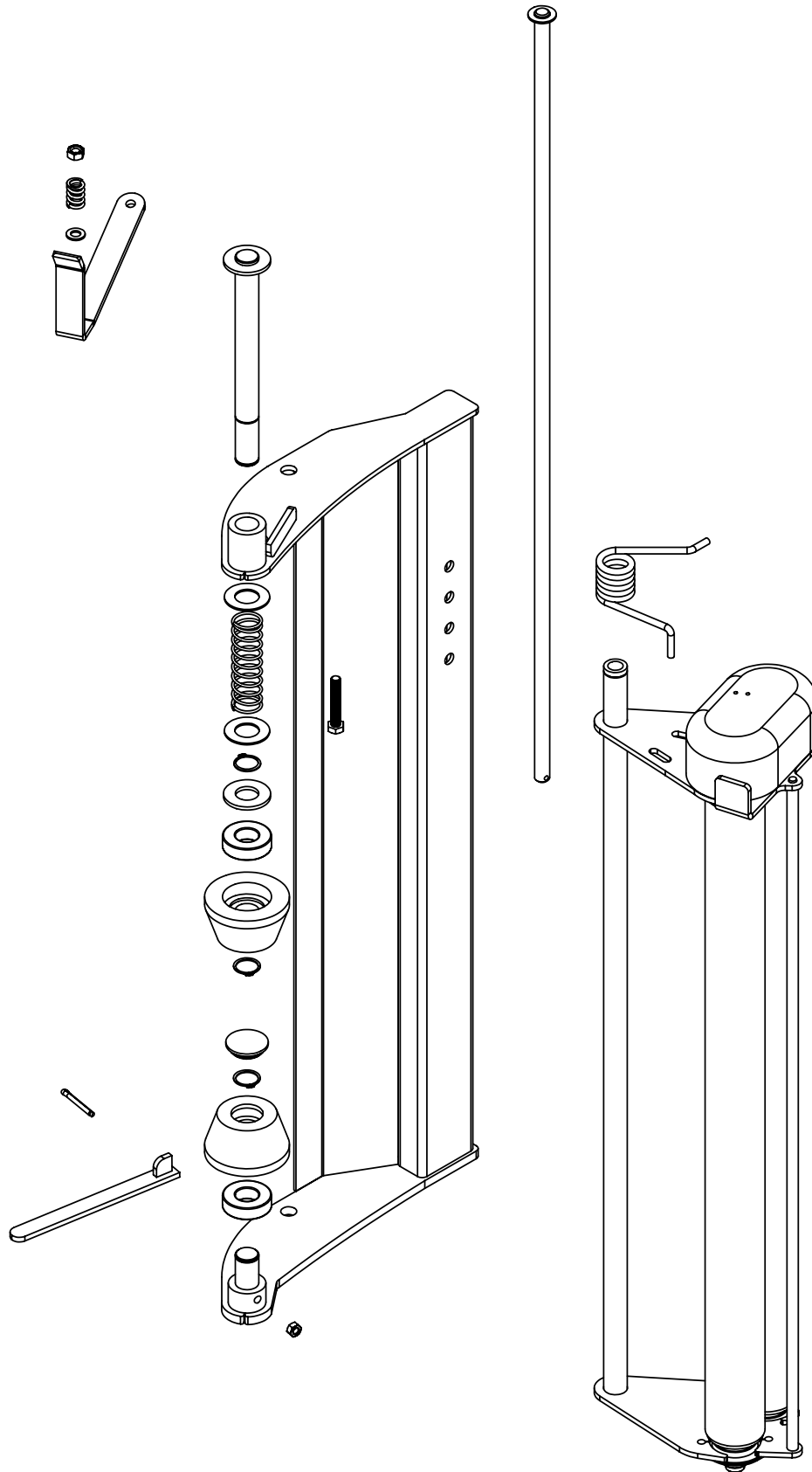




4.2 Wrap parts list

ITEM NO.	PartNo	DESCRIPTION	QTY.
1	1104000	1100 Wrap arm	1
2	34312009	M20 heavy washer	1
3	726-1601S	M 20x40 Bolt	1
4	34119043	Eye bolt	1
5	34230400	M8 Nut	3
6	34105651	Hinge Bolt	1
7	1303005	M12 Nordlock Washer	3
8	34230900	M10 Locknut	2
9	34430300	Spring	1
10	1304002	E-Stop Actuator	1
11	34220200	Split Pin (4 x 50)	1
12	1104110	Safety arm	1
13	1104105	Linkage profile	1
14	Z10-02-08	Washer M8	1
15	Z26-020S	Bolt M6 x 20	1
16	Z26-039S	M8 X 20 HEX bolt	1
17	Z26-088S	M12x60 Hex Set	2
18	Z23-12	M12 Lock Nut	2
19	Z10-02-12	M. 12 Flat Washer	4

## 5.1 Dispenser exploded view

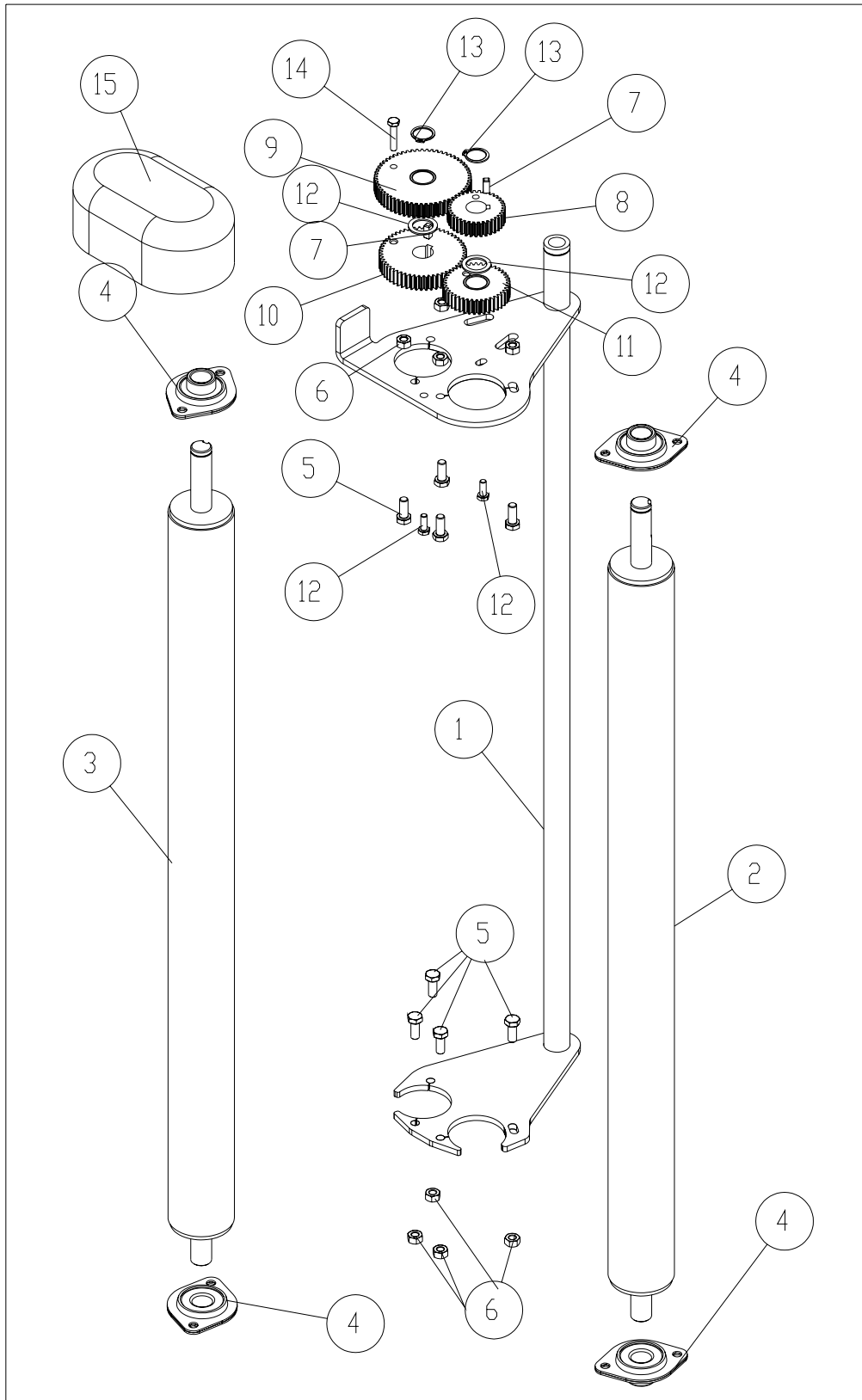




5.2 Dispenser parts list

ITEM NO.	PartNo	DESCRIPTION	QTY
1	1105100	Dispenser Frame	1
2	1305010	Bottom latch	1
3	1305100	Dispenser Insert	1
4	1305016	Bottom cone	1
5	1305019	Upper cone	1
6	1305015	Bearing	2
7	1305017	Cir-clip 25mm	3
8	1305025	M10 x 60 Hex Bolt	1
9	Z23-10	M10 Lock Nut	1
10	1305018	Plastic cap 1 1/4"	1
11	1305027	Top Latch Spring	1
12	Z11-02-11	M10 flat washer	1
13	1305022	Top shaft	1
14	1305030	Pivot pin	1
15	1305034	Torsions Spring	1
16	1305021	Spring	1
17	1305020	25mm dia.flat washer	2
18	WD13-006	Top latch	1
19	1305020A	25 mm Thick washer (4 mm)	1
20	1305033	Split pin	1

5.3. Dispenser Roller Insert: Exploded



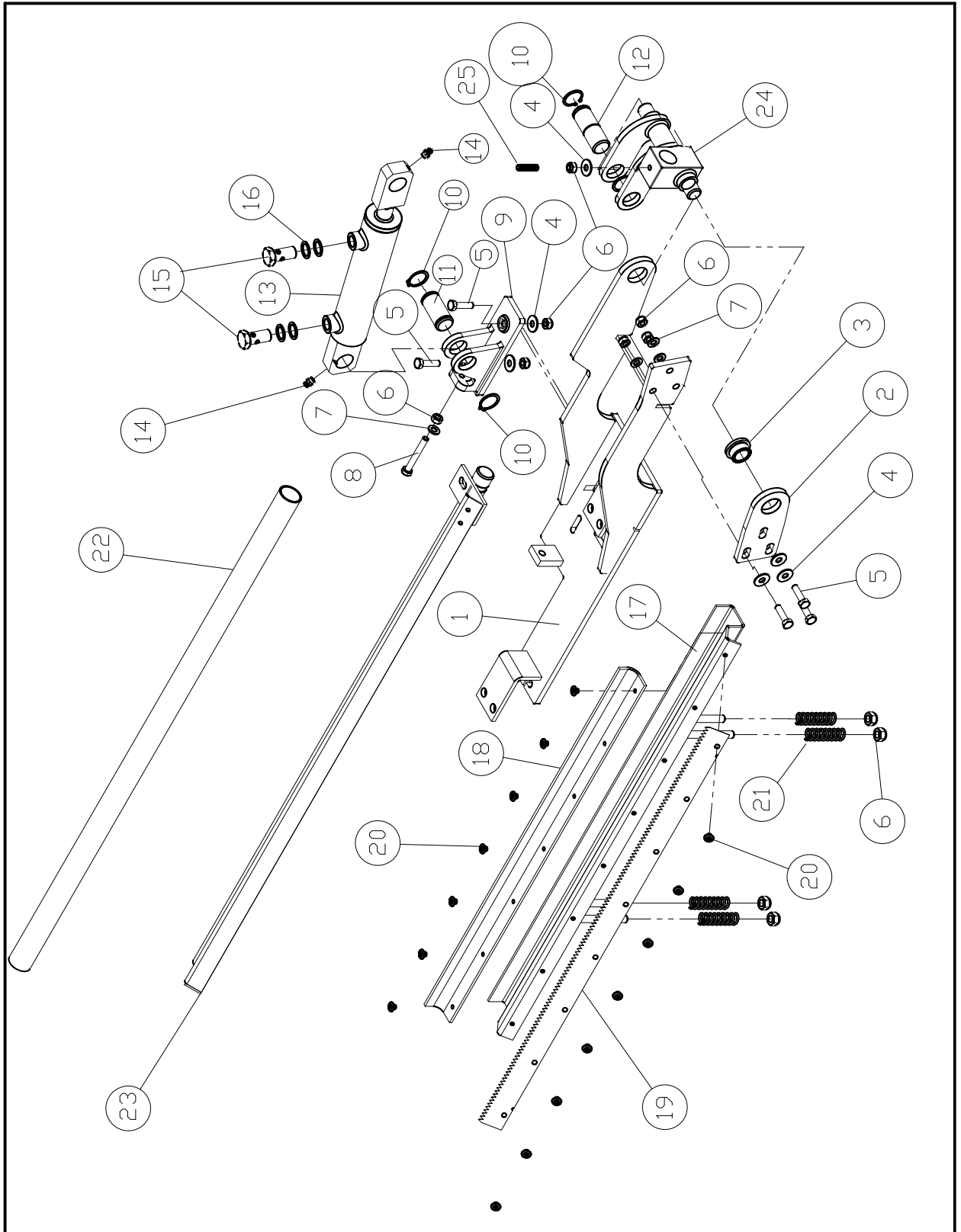


**5.4. Dispenser Roller insert: Parts list**

ITEM	PART NO.	QUANTITY	DESCRIPTION	Dimension
	1305100	1	Dispenser Roller insert complete	
1	1305110	1	Insert Frame	
2	1305120	1	Inner Roller	
3	1305121	1	Outer Roller	
4	1305122	4	Bearing	RHP SLF20A
5	Z26-039S	8	M8 * 20 Bolt	
6	Z23-08	8	M8 Locknut	
7	1305123	2	6 mm square key steel	15 mm long
8	1305101	1	60 t gear	16 mm
9	1305102	1	35 t gear	16 mm
10*	1305105	1	54 t gear	16 mm
11*	1305106	1	41 t gear	16 mm
10	1305103		58 t Gear	16 mm
11	1305104		37 t Gear	16 mm
13	1305124	2	20 mm external cir-clip	
11	1305125	1	Gearbox cover	
12	Z26-018S	2	M6 * 16 mm bolt	

\* Indicates optional 33 % Stretch gears

6.1 Cut & Start



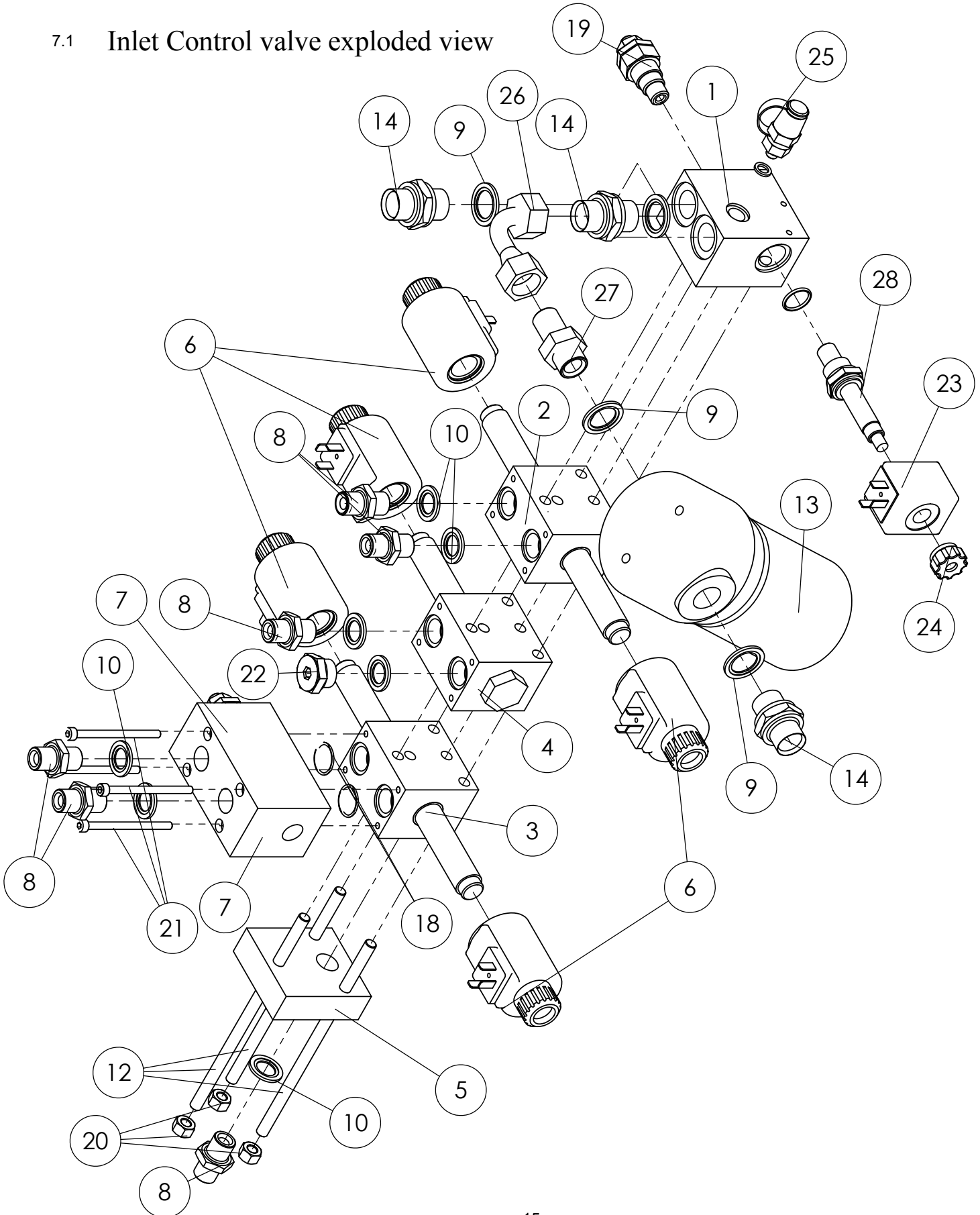


Tanco Auto wrap 1100  
Spare parts list

6.2 Cut and Start Parts List

ITEM	PART NO.	QUANTITY	DESCRIPTION	Dimension
	34920607		C&S complete	
1	34670195	1	C&S Base Frame	
2	34920597	1	Fastening bracket	
3	34321518	1	Brass Bearing	20/28 x 16 -35 x 4
4	Z11-02-081	4	M 8 Mud Washer	
5	34112700	7	M8 x 30 bolt	
6	34230500	8	M8 Locknut	
7	34302121	8	M 8 Flat Washer	
8	34110003	1	M 8 Bolt	M8 x 45
9	34920525	1	Pivot Casting Base	
10	34240704	4	Cir clip	A 25
11	34105631	1	Bottom Pin for C&S	
12	34105632	1	Top Pin for C&S	25 mm
13	1308151	1	C&S Cylinder	40/20
13a	34043800	1	Seal Kit for cylinder	
14	Z39-66	2	M6 Grease nipple	
15	Z01-21-06	2	3/8" Banjo Bolt	
16	Z01-04-02	4	3/8" Dowty washer	
17	34920585	1	Pressure Plate	
18	34450428	1	Rubber strip	
19	34911039	1	Knife blade	
20	34150007	15	Pop Rivet	
21	34430301	4	Spring	
22	34480009	1	Plastic sleeve	32.2 x 1.9
23	34611422	1	Cutter Arm	
24	34920524	1	Pivot Casting Top	
25	34119142	1	Stud Screw	M8 x 35

7.1 Inlet Control valve exploded view





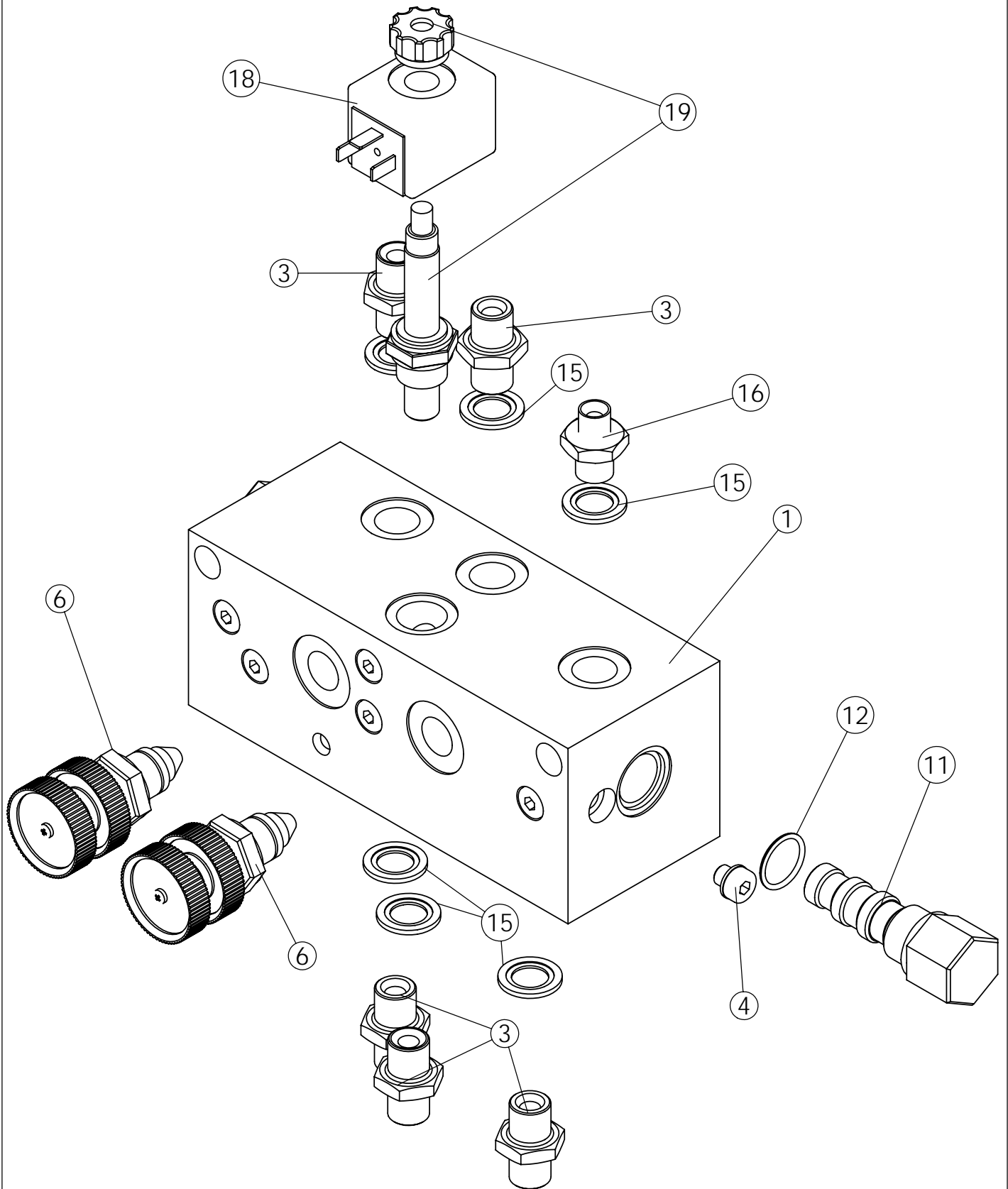
7.2 Inlet Control valve part list

ITEM NO.	PartNo	DESCRIPTION	Default/QTY.
1	1308731	Entry Block (<45l/min)	1
2	1308704	2 Dir Spool Valve (c/w solenoid) (oc)	1
3	1308717	2 Dir. Spool Valve (c/w Solenoid) (cc)	1
4	1308717	1 Dir. Spool Valve (cw solenoid)	1
5	1308706	End Plate	1
6	34087521	Solenoid	5
7	1308720	single overcenter valve	1
8	Z01-06-06-06	3/8" x 3/8" Adaptor	6
9	Z01-04-03	1/2" BSP Dowty Washer	5
10	Z01-04-02	3/8" BSP Dowty Washer	7
11	1308714	Entry & Control Block Seal Kit	1
12	1308713	Tie Rod	3
13	1308070	Filter	1
14	Z01-06-08-08	1/2" x 1/2" Adaptor	3
15	1308714	Entry & Control Block Seal Kit	8
17	1308714	19mm O- ring	2
18	1308714	Entry & Control Block Seal Kit	2
19	1308732	Pressure relief valve	1
20	Z23-08	Nut M8	3
21	1308715	M5 x 60mm Socket Head Bolt	4
22	Z01-06-MB08	1/2" Male Blank	1
23	1308202	Solenoid	1
24	1508002	nut for magnet (c/w 28)	1
25	1308710	1/4" Test Point	1
26	Z01-14-018S	1/2" Swept Elbow	1
27	Z01-06-05-08	1/2" Bulkhead adaptor	1
28	1308708	Master valve	1

13*	1308071	Filter Element	
-----	---------	----------------	--

Note: If item 4 fails, can be replaced with item 3

### 7.3 Adjustment block exploded





7.4 Adjustment block parts list

ITEM NO.	PartNo	DESCRIPTION	QTY.
1	1508020	Adjustment block complete	1
2	1508021	Adjustment block empty	
3	Z01-06-06-06	3/8" x 3/8" Adaptor	5
4	1308116	1/8" Plug	9
5	1308115	Copper Washer 1/8"	9
6	1308252	Flow control valve	2
15	Z01-04-02	3/8" BSP Dowty Washer	6
16	Z01-06-04-06	1/4" x 3/8" BSP Male/Male Adaptor	1
19	1508002	2 Speed Valve	1
18	1308202	12 V Coil for 2 speed	1
19	1508002	nut for magnet (c/w valve)	1