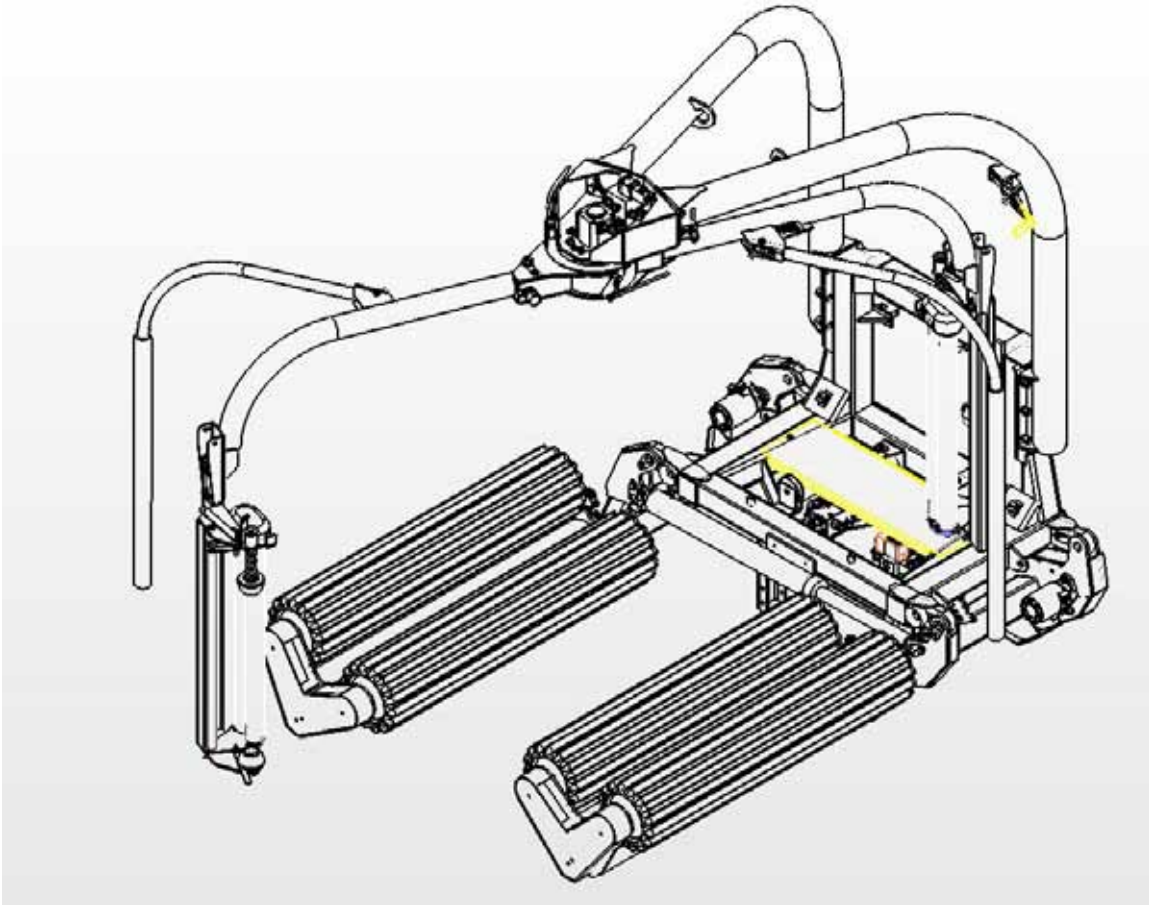




- SPARE PARTS LIST

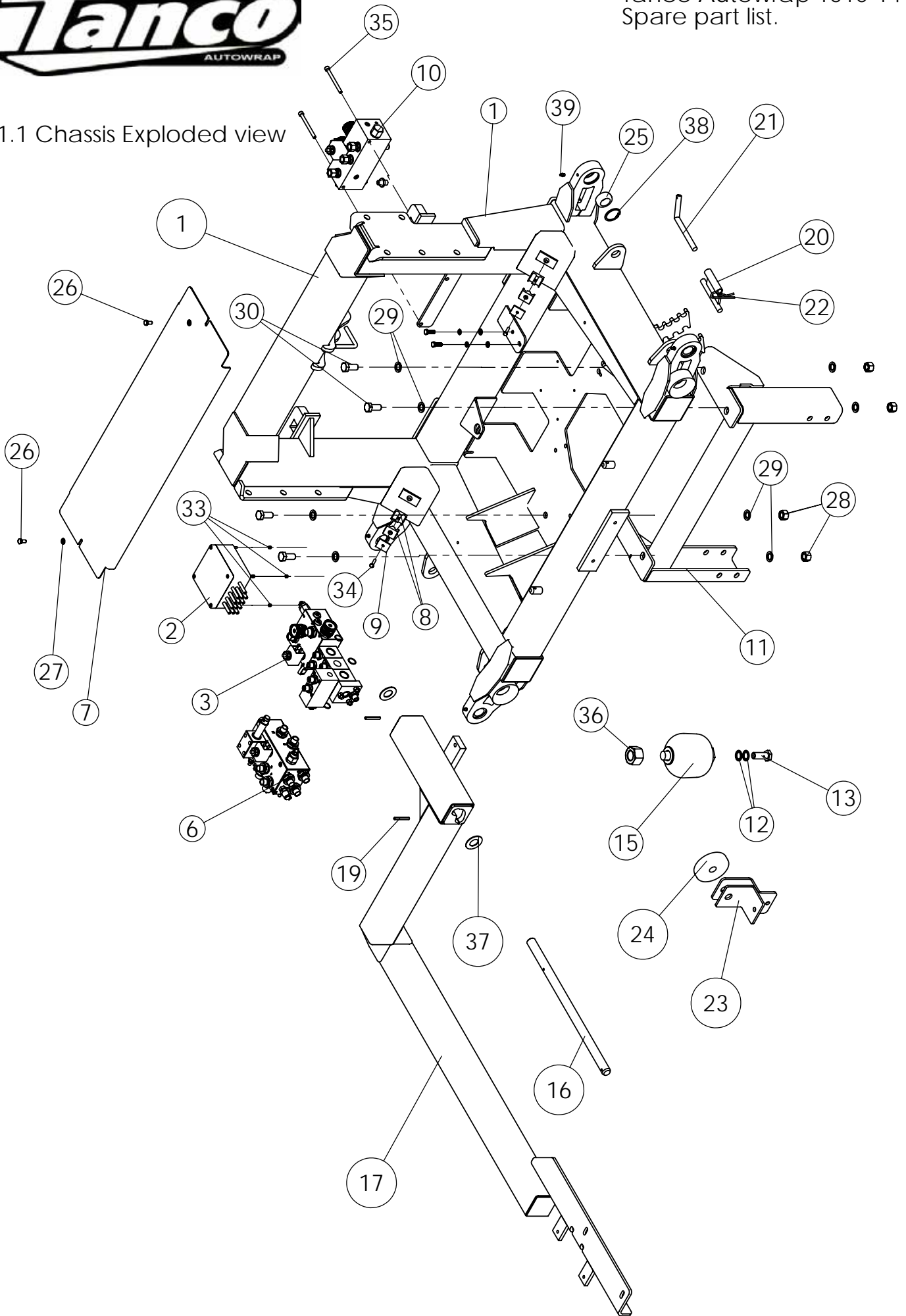


We recommend that when you need spare parts, you should use only original parts.

When ordering spare Parts use the following:

- Drawings are marked with a position number.
- On the accompanying table you will find the position number, its equivalent part number and description. The entire part number and description must always be relayed on ordering.
- **IMPORTANT!**  
When ordering always give the serial number on the wrapping machine and specify the Model of Machine.
- All orders must go through your local Tanco Dealer. To prevent confusion all orders must be faxed or e-mailed to Tanco Autowrap.

1.1 Chassis Exploded view

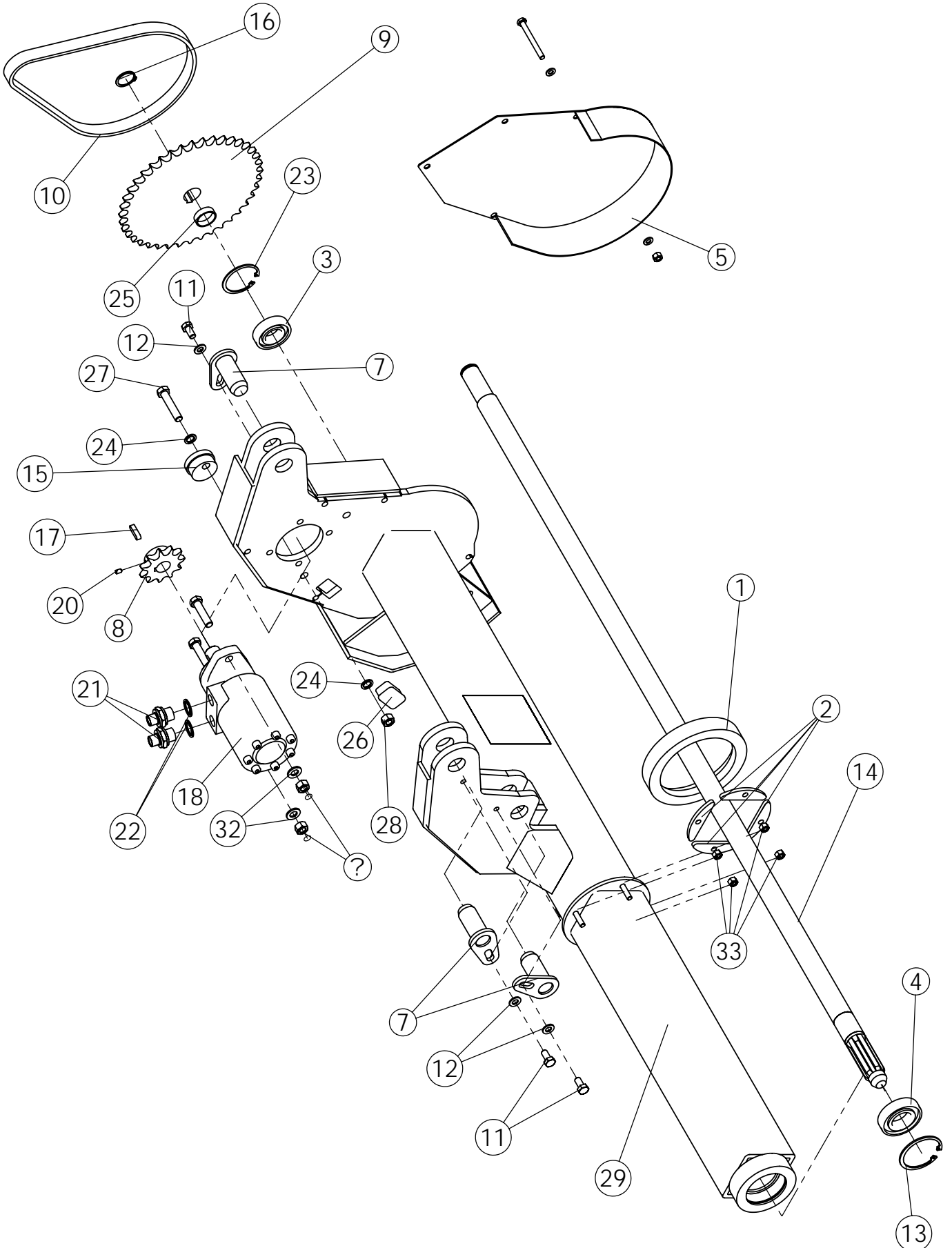




1.2 Chassis parts list

ITEM NO.	PartNo	DESCRIPTION	Default/QTY.
1	1501000	Chassis 06	1
2	1509001	RDS Junction Box	1
3	1508250	Inlet & Control valve	1
4	1308070	Filter	1
5	1308071	Filter element	
6	1508150	Assembly block	1
7	34620545	Valve Cover	1
8	34260110	Plastic Pipe Clamp	4
9	34260107	Pipe Clamp Tops	2
10	1508020	adjustment block	1
11	1501550	ground support frame	1
12	Z01-04-03	1/2" BSP Dowty Washer	2
13	Z01-06-NB06	1/2" Banjo Bolt	1
14	Z10-02-30	1" 1/8 Heavy Washer	1
15	Z01-01-AWDA	accumulator (50 bar)	1
16	1501105	Twin C&S pin	2
17	34611429	Twin C&S mount RHS	1
18	34611430	Twin C&S mount LHS	
19	Z03-20-03	6 x 50 Roll pin	2
20	34380510	Width stop	1
21	34105675	Width stop pin	1
22	Z36-02	4 mm R-Clip	1
23	1501610	Wheel mount	1
24	1501601	Steel wheel	1
25	34320521	Bearing	4
26	Z26-038S	Bolt M8 x 16	2
27	Z10-02-08	Washer M8	4
28	34232100	M16 Locknut	4
29	34302125	Washer M16	8
30	34115600	M16 x 35mm Bolt	4
31	Z26-040S	M8 x 25 Hex Set	2
32	Z12-02-08	M8 Spring Washer	2
33	Z23-04	M4 Locknut	4
34	Z26-022S	M6 x 30 Bolt	2
35	Z13-6-08x90	M8 x 90 Allen Head Bolt	2
36	Z001-243	M28x 1.5 Pitch Hex Nut	1
37	Z11-02-25	1" L/D Flat Washer	2
38	34240719	Circlip (I-47mm)	4
39	34061915	M8x1 Grease Nipple	4

## 2.1 Roller Arms

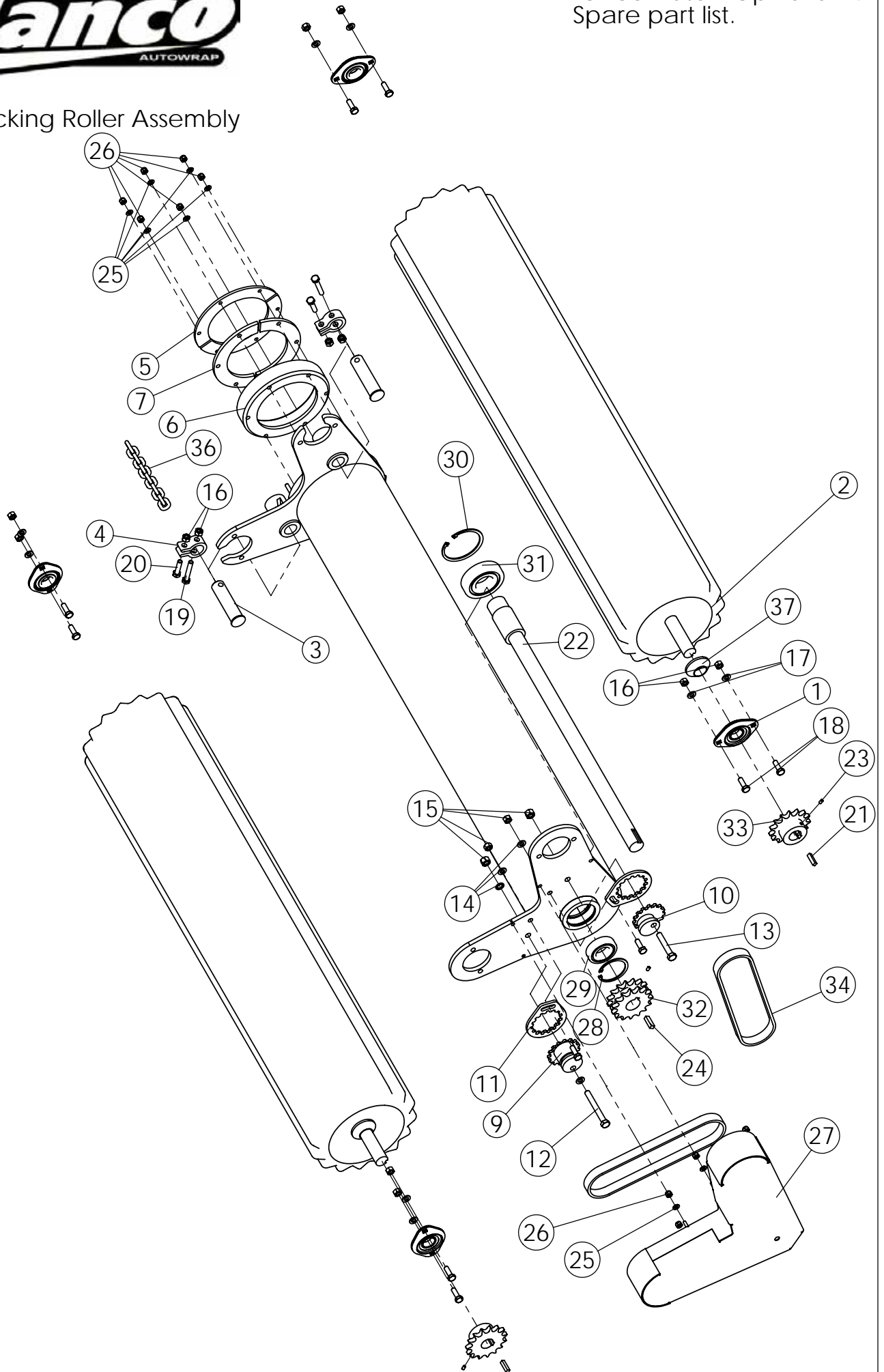




2.2 Roller arm parts list.

ITEM NO.	PartNo	DESCRIPTION	QTY.
1	34480014	Inner Nylon Ring	1
2	34920538	Clamp profile	4
3	34215203	Bearing SKF 6206	1
4	34321521	Bearing SKF 7202 BE	1
5	34851236	Chain cover (motor) RHS	1
6	34851235	Chain Cover (motor) LHS	1
7	1502060	1514 Pivot pin	3
8	1502098	11 T 3/4" Sprocket	1
9	34090131	40 T Sprocket 3/4"	1
10	34810835	chain 3/4"	1
11	Z26-060S	M10 x 20mm Hex bolt	3
12	Z12-02-10	M10 Spring Washer	3
13	34240100	Circlip I72	1
14	34130231	Splined Drive Shaft	1
15	34090132	chain tensioner	1
16	34240708	Circlip (E30)	1
17	34270111	8 x 7 x 35 key	2
18	1508800	400cc BRS Drive Motor	1
19	1308801	Seal kit for motor	
20	34119081	M8 grub srew	1
21	Z01-06-06-08	1/2" x 3/8" Adaptor	2
22	Z01-04-03	1/2" BSP Dowty Washer	2
23	34240719	Circlip (I62mm)	1
24	34302123	Washer M12	2
25	34371421	Spacer 35 OD x 31 ID x 10	1
26	34450437	Plastic insert	1
27	Z26-088S	M12x60 Hex Set	1
28	Z23-12	M12 Lock Nut	3
29	1502000	Roller arm frame (R)	1
32*	1502100	Roller arm frame left	1*
31	Z26-086S	M12 x 50 Hex Set	2
32	Z10-02-12	M. 12 Flat Washer	2
33	Z23-08	Locknut M8	9
34	Z26-050B	M8 x 90mm hex bolt	4
35	Z10-02-08	Washer M8	9

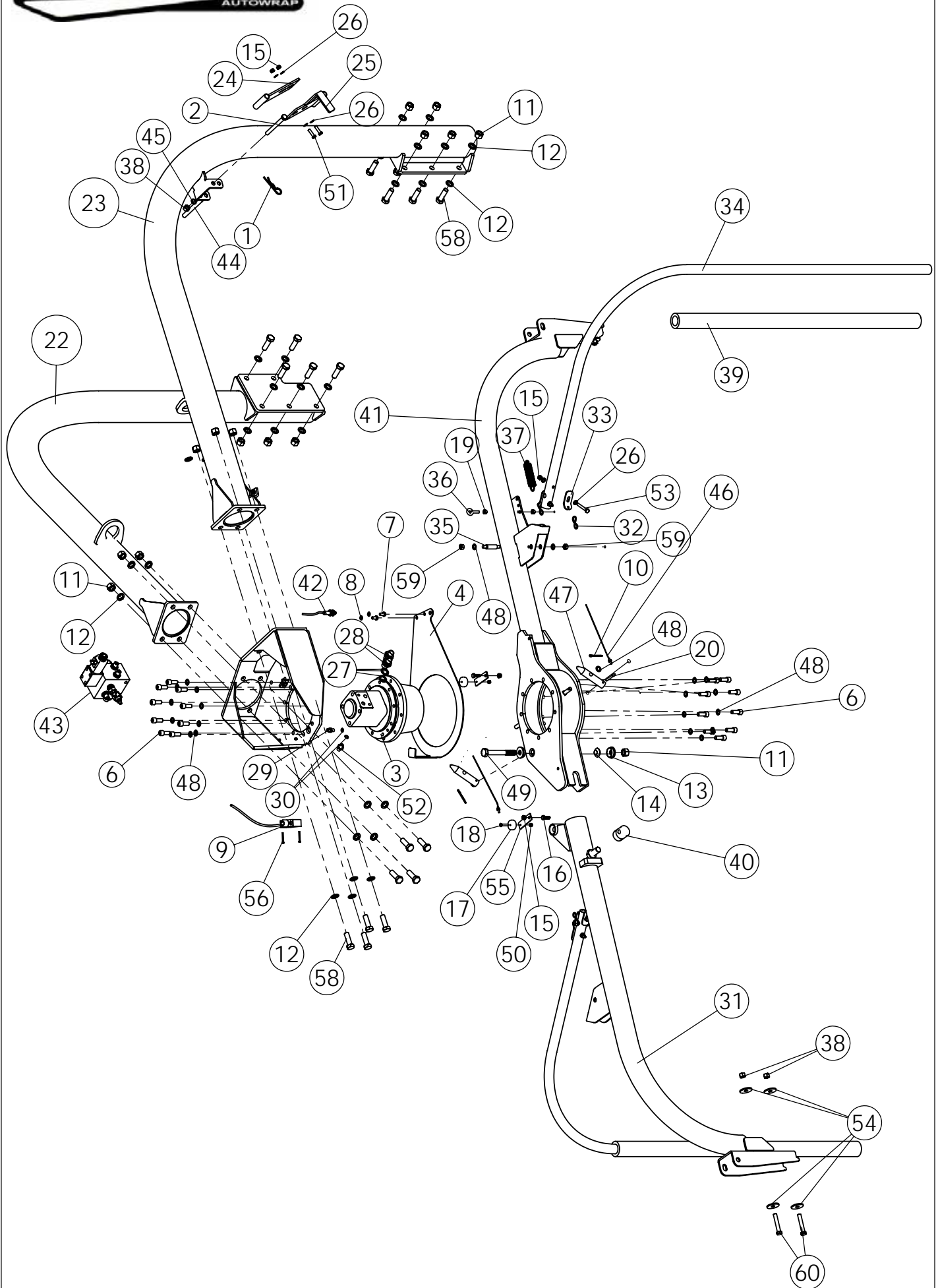
## 3.1 Rocking Roller Assembly





### 3.2 Rocking Rollers parts list

ITEM NO.	PartNo	DESCRIPTION	QTY.
1	34321519	Bearing with housing	4
2	34911095	Plastic Rollers	2
3	34105708	30 mm Chain Pin	2
4	34251457	Clamp for chain	2
5	34920579	Outer clamp Ring	2
6	34480012	Nylon Bearing	1
7	34480013	Nylon clamp half ring	2
8	34911112	Rocking Roller Frame	1
9	1502003	chain tensioner (high)	1
10	1502004	chain tensioner (low)	1
11	1502002	Chain tensioner outer	2
12	34110900	M12 x 100 Hex Set	1
13	34117500	M12 x 70 Hex Set	1
14	34302123	Washer M12	2
15	34231300	M12 Locknut	2
16	34230900	M10 Locknut	14
17	34302122	M10 Washer	12
18	34110300	M10 x 30 Hex Set	10
19	34110018	M10 x 60 Bolt	2
20	34110106	M10 x 40 Hex Bolt	2
21	34270105	key 8 x 7 x 32	2
22	34130260	Center shaft	1
23	34119010	grub screw M8 x 16mm	3
24	34270113	key 10 x 8 x 10mm	1
25	34302121	M8 Flat washer	10
26	34230500	M8 Locknut	10
27	34851234	Chain cover 1514-10	1
28	34240100	Circlip I72	1
29	34321530	Bearing c/w cam lock collar(YET 207)	1
30	34240715	Circlip I100	1
31	34320519	Bearing (45 *100 * 25)	1
32	34810851	3/4" 15 T Double sprocket	1
33	34810833	15 T simplex sprocket	2
34	34810834	chain 3/4" x 45 link	2
35	34818005	3/4" Chain joiner	2
36	34801338	8 x 25 chain x 600mm	1
37	1504003	Roller spacer	4



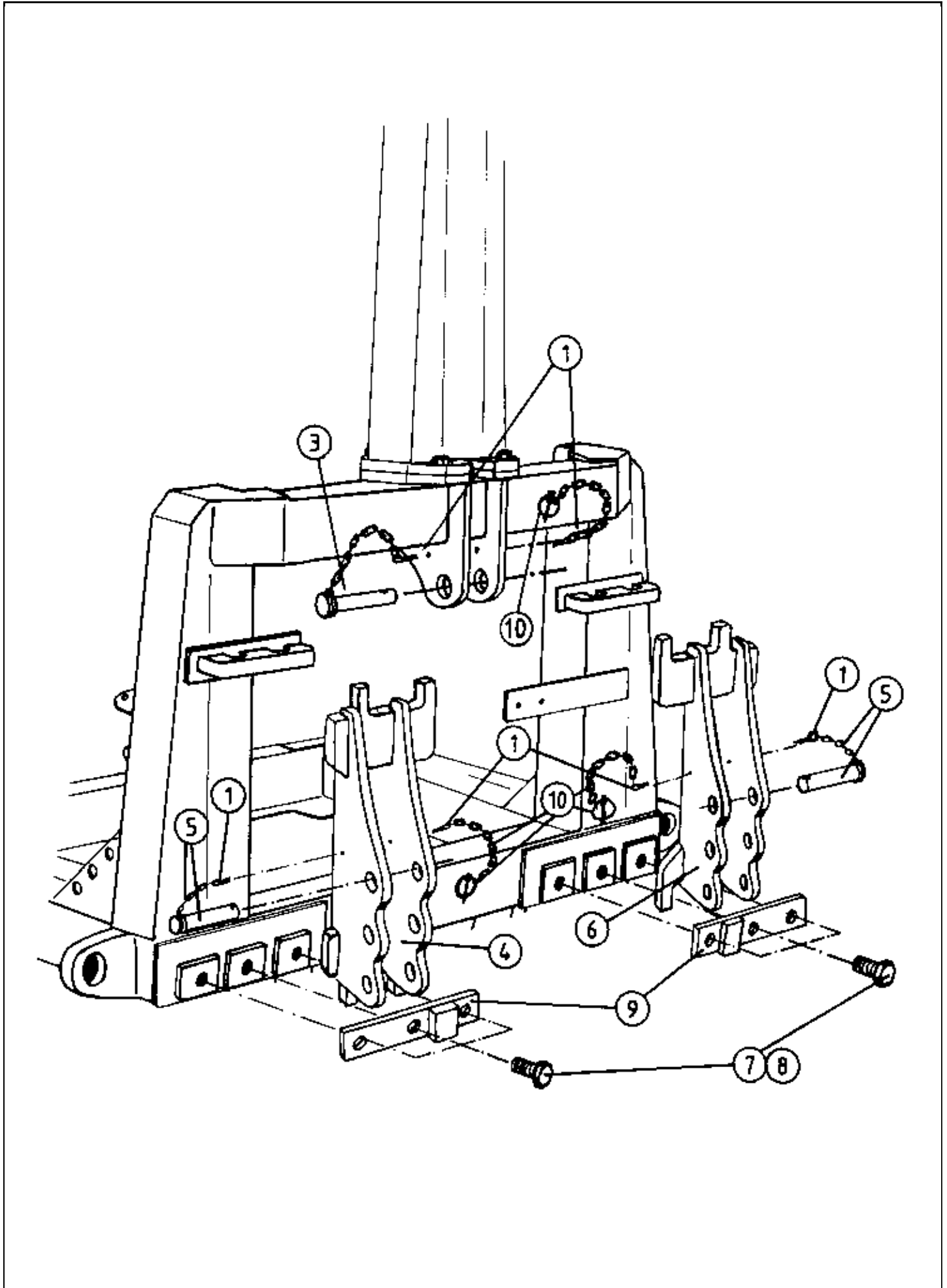


Tanco Autowrap 1510-14  
Spare part list.

	PartNo	DESCRIPTION	QTY.
1	Z36-02	4 mm R-Clip	1
2	34111100	M12 x 120mm hex bolt	1
3	1508900 See pg 30	Motor and Gearbox complete	1
4	1503511	Slide plate	1
5	Z23-04	M4 Locknut	2
6	34110029	M12 Allen Headed bolt	18
7	Z26-038S	Bolt M8 x 16	2
8	Z12-02-08	M8 Spring Washer	2
9	34950179	emergency switch	1
10	34220200	Split Pin (4 x 50)	2
11	34232100	M16 Locknut	19
12	34302125	Washer M16	36
13	1505259	C-sunk washer	2
14	1505258	Bevel washer	2
15	34230500	M8 Locknut	8
16	Z26-040S	M8 x 25 Hex Set	2
17	1309201	RDS Magnet	2
18	Z26-022S	M6 x 30 Bolt	2
19	34230400	M8 Nut	6
20	34120311	M6 eye bolt	2
21	1503040	Tower Motor Mount 1514	1
22	1503050	1514 Tower RHS	1
23	1503060	1514 Tower LHS	1
24	1505220	Wrap arm lock bracket	1
25	1505225	Wrap arm lock c/w hook.	1
26	34302121	M8 Flat washer	12
27	Z01-04-03	1/2" BSP Dowty Washer	2
28	Z01-06-06-08	1/2" x 3/8" Adaptor	2
29	1308620	M10 - 1.8" BSP Male/Male Adaptor	1
30	Z01-04	1/8" BSP Dowty washer	2
31	1505250	1510-14 Twin Arm	1
32	34660111	S Hook 4 x 35 mm	4
33	34670152	S-Hook mounting bracket	4
34	34611357	Safety Arm	2
35	34105651	Hinge Bolt	2
36	34119043	Eye bolt	2
37	34430300	Spring	2
38	34231300	M12 Locknut	5
39	34480020	Foam padding	2
40	1505254	Twin locking nut	1
41	1505200	1510-14 Wrap arm 06	1
42	1309203	Sensor 4 m	1
43	1308180 see pg 30	Tower block (c/w reversing valve)	1
44	1503165	Wrap Arm Locking Pin (1514)	1
45	34302123	Washer M12	1
46	1505202	E-Stop wire rope	2
47	1304002	E-Stop Actuator	2
48	1303005	M12 Nordlock Washer	24
49	Z26-121B	M16 x 130 Hex Bolt	1
50	Z23-06	M6 lock nut	2
51	Z26-041S	M8 x 30 Hex Set	2
52	Z01-06-04-06	1/8" x 1/4" BSP Male/Male Adaptor	1
53	Z26-047b	M8 x 60 bolt zinc	4
54	34302135	M12 heavy washer	8
55	1304003	Magnet Mounting Bracket	2

# RESERVEDELSLISTE - SPARE PARTS LIST - ERSATZTEILLISTE

## 2-5 AUTO WRAP 1510/1514/TWIN



# RESERVEDELSLISTE - SPARE PARTS LIST- ERSATZTEILLISTE

## AUTO WRAP 1510/1514/TWIN 2-5

15EH2-5.002  
12. november 2002

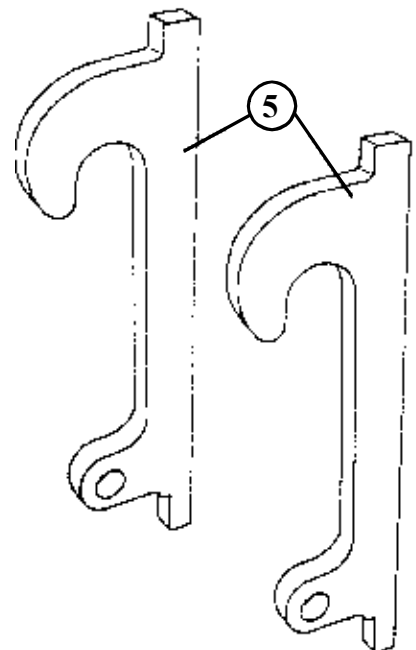
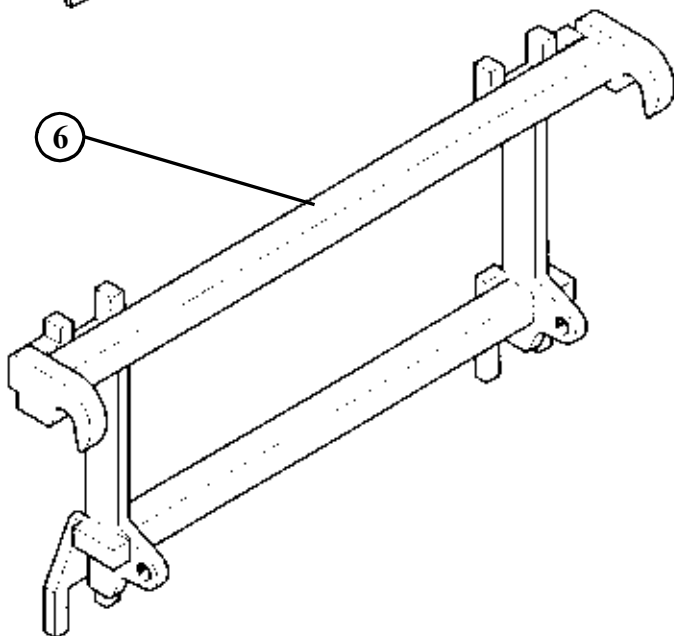
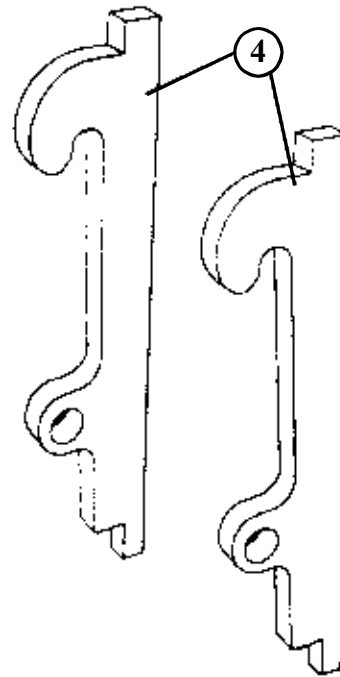
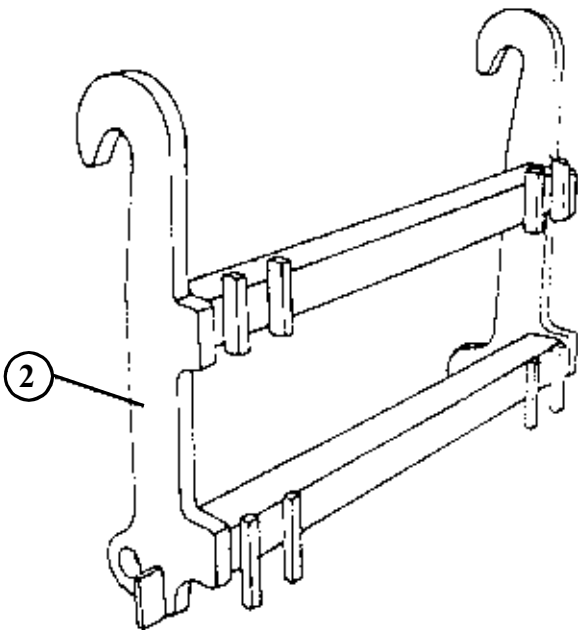
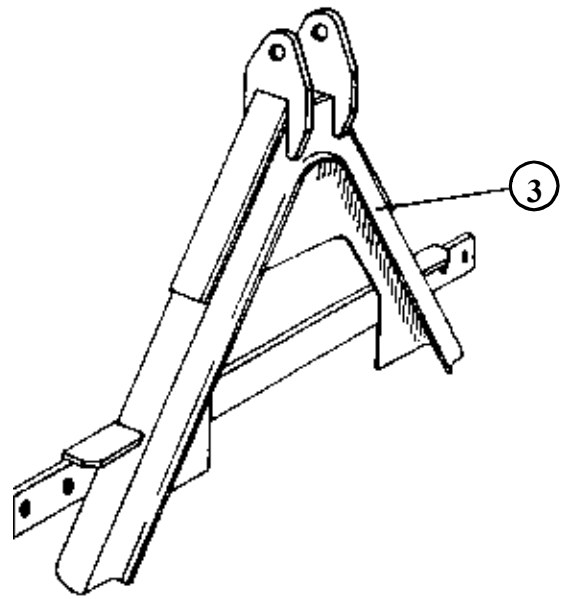
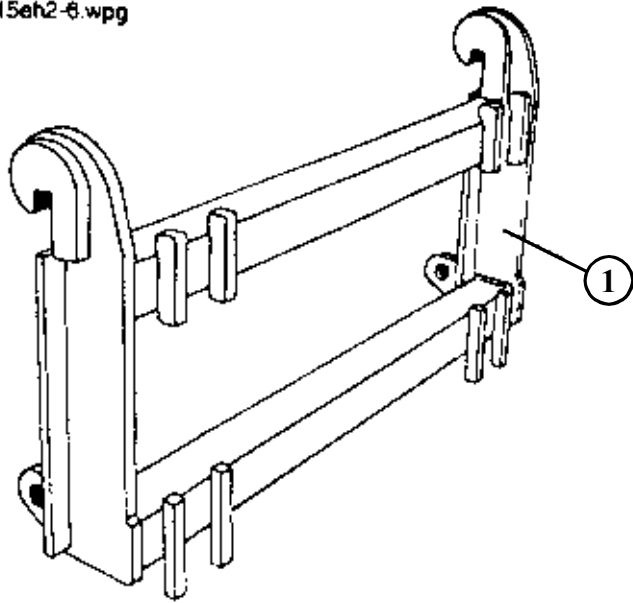
### INNFESTNINGER, TREPUNKT FASTENING BRACKETS, THREE POINT ANBAUBEFESTIGUNG, DREIPUNKT

Pos	Art. Nr.	No	Beskrivelse	Description	Bezeichnung	Type - Dimension	
1	34220700	6	Kløftesplint	Split pin	Sicherungsplint	5 x 40	
3	34105635	1	Toppstagbolt, komplett	Top stay bolt, complete	Steckbolzen		
4a	34680036	1	Trekkstagfst. venstre,	Fastening bracket, left, low	Oberlenker,Kpl.		
4b	34680024	1	senket	Fastening bracket, left	Anbaubefest. Links, niedrig		
5	34105636	2	Trekkstagfeste, venstre Trekkstagbolt, komplett	Bolt for lifting arm, complete	Anbaubefestigung, Links Steckbolzen Zugstange, Kpl.		
6a	34680037	1	Trekkstagfst. høyre, senket	Fastening bracket, right, low	Anbaubefest.Rechts, niedrig	M16 x 35, DIN 933 16 mm	
6b	34680023	1	Trekkstagfeste, høyre	Fastening bracket, right	Anbaubefestigung, Rechts		
7	34115600	6	Skrue	Bolt	Schraube		
8	34310800	6	Sprengskive	Spring washer	Federring		
9	34251401	2	Klemjern	Locking bar	Klemmeisen		
10	34200201	3	Orepinne, m/kjetting	Linch pin w/chain	Klappsplint		
							10 mm

# RESERVEDELSLISTE - SPARE PARTS LIST - ERSATZTEILLISTE

## 2-6 AUTO WRAP 1510/1514/TWIN

15eh2-6.wpg



**RESERVEDELSLISTE - SPARE PARTS LIST - ERSATZTEILLISTE**  
**2-6 AUTO WRAP 1510/1514/TWIN**

---

**Attachment Brackets 1510-14**

Item	Part No.	Quantity	Description
Kit	35810005		Volvo bracket 621/641
1	34703805	1	Volvo bracket 621/641
Kit	35810006		Volvo bracket 4300
2	34703806	1	Volvo bracket 4300
Kit	35810012		Triangle Bracket 1510-14 (1995-2001)
3	34703807	1	Triangle Bracket 1510-14 (1995-2001)
	1506012	1	Triangle Bracket 1510-14 (2001-)
Kit	35810000		Alo brackets
4	34660103	2	Alo bracket
Kit	35810001		Trima / Bergsjo brackets
5	34660101	2	Trima / Bergsjo bracket
Kit	35810025		Euro + Euro combi bracket
5	34703835	1	Euro + Euro combi bracket

# RESERVEDELSLISTE - SPARE PARTS LIST - ERSATZTEILLISTE

## 2-7 AUTO WRAP 1510/1514/TWIN

15eh2-8.wpg


### AUTO WRAP 1510

1

### AUTO WRAP 1514

2

3

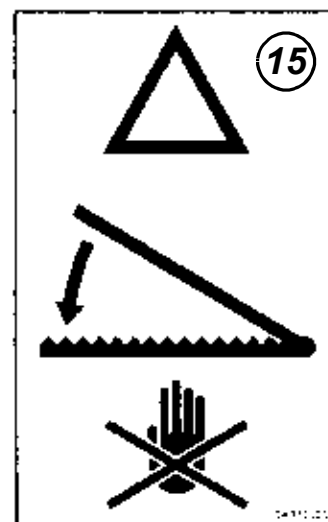
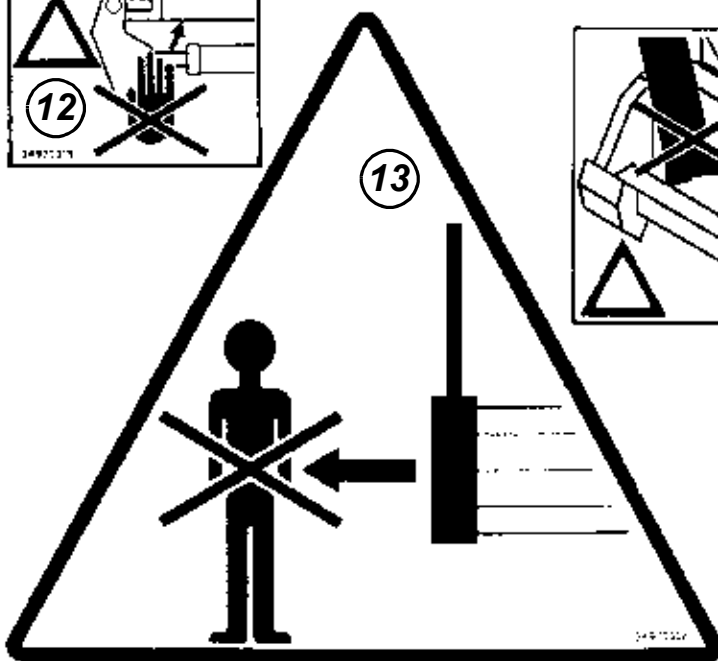
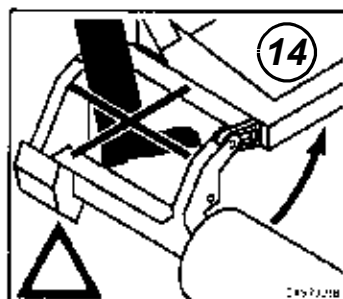
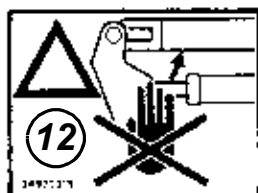
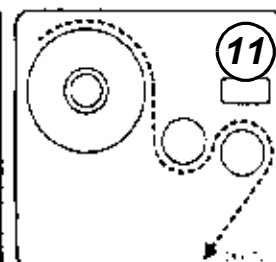
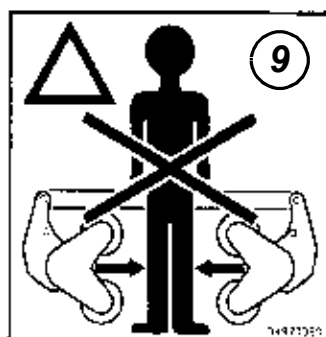
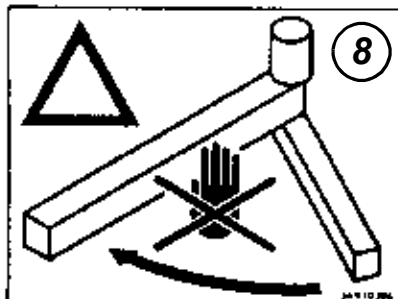
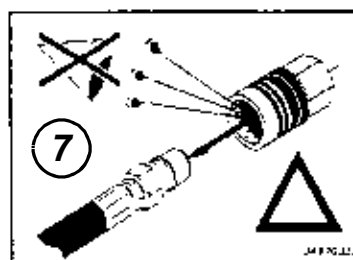
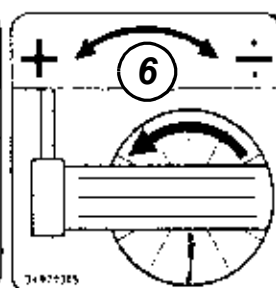
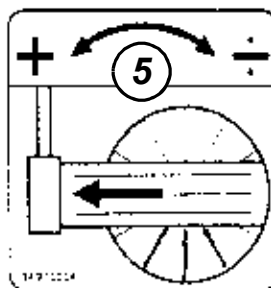


**VIKTIG !**  
Les instruksjonsboken og sikkerhetsreglene før maskinen tas i bruk.

**IMPORTANT !**  
Prior to operating the machine read and observe the user' manual and all safety instructions.

**ACHTUNG !**  
Vor Inbetriebnahme die Betriebsanleitung und Sicherheitshinweise lesen und beachten.

**ATTENTION !**  
Lire le manuel d'utilisation avant toute manipulation de la machine.



# RESERVEDELSLISTE - SPARE PARTS LIST- ERSATZTEILLISTE

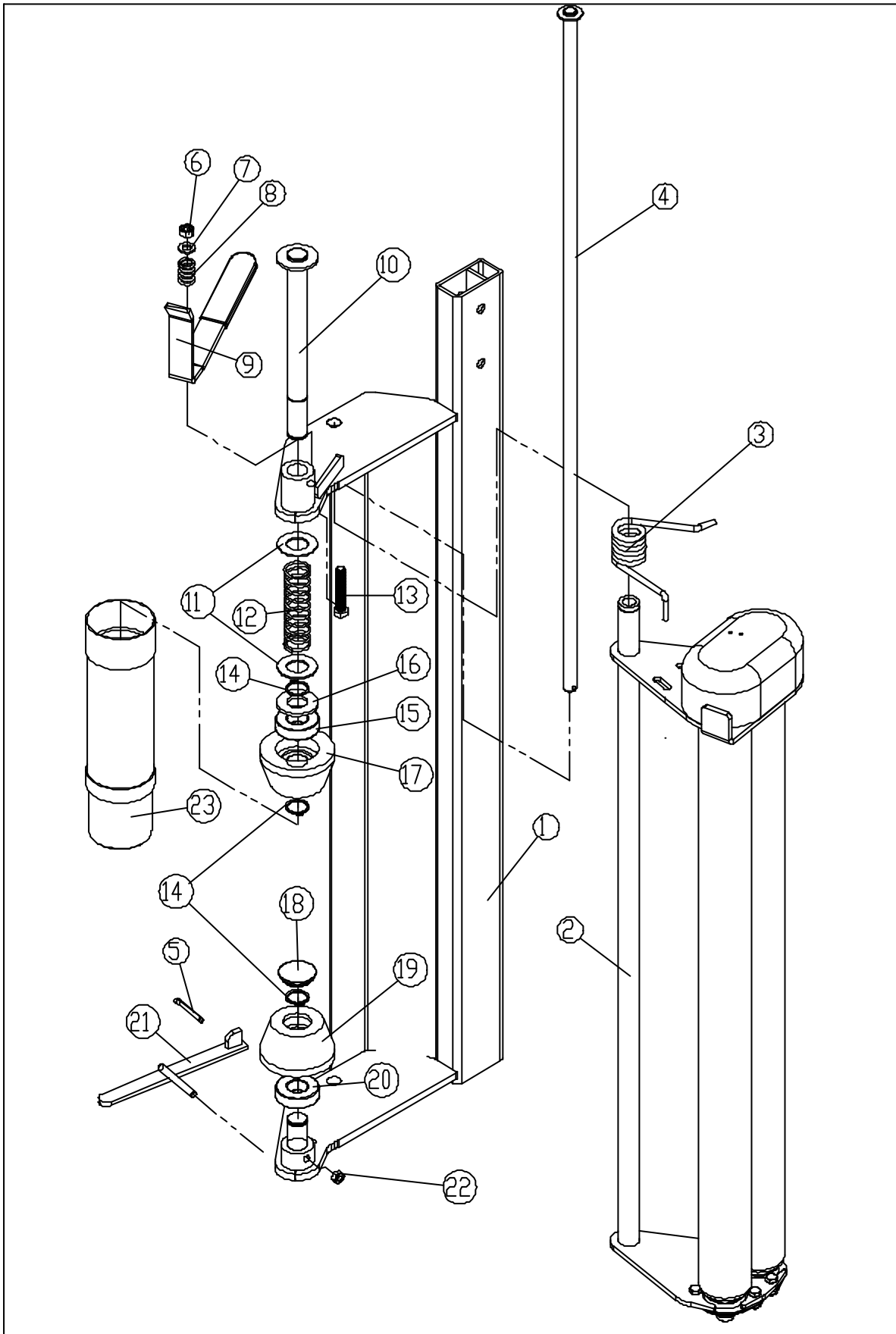
## AUTO WRAP 1510/1514/TWIN 2-7

15002-7.wpd  
12. november 2002

### KLISTREMERKER DECALS AUFKLEBER

Pos	Art. Nr.	No	Beskrivelse	Description	Bezeichnung	Type - Dimension
1	34970341	2	Dekorstripe med tekst	Decal, stripes with text	Aufkleber, Streifen mit Text	AW 1510, 85 x 1000
2	34970342	2	Dekorstripe med tekst	Decal, stripes with text	Aufkleber, Streifen mit Text	AW 1514, 85 x 1000
3	34970337	2	Dekorstripe	Decal, stripes	Aufkleber, Streifen	85 x 1000
4	34970301	1	Viktig! Les	Important! Prior to operate...	Achtung! Vor Inbetrieb...	115 x 160
5	34970304	1	instruksjonsbok... Regulering, sveivhastighet	Adjustment, wrap.arm speed	Einstellen,Wick.arm geschw.	80 x 80
6	34970305	1	Regulering, rullehastighet	Adjustment, roller speed	Einstellen, Walzen geschw.	80 x 80
7	34970333	1	Faremerke, hydraulikkolje	Danger, hydraulic oil	Gefahr, Hydraulik Öl	63 x 100
8	34970306	2	Faremerke, sveiv/tårn	Danger, wrapping arm/tower	Gefahr, Wickelarm/Turm	80 x 110
9	34970320	1	Faremerke, mellom rullene	Danger, between rollers	Gefahr, zwischen Walzen	90 x 90
10	34970321	2	Faremerke, anslag	Danger, limit stop	Gefahr, Anschlag	70 x 70
11	34970311	*1	Forstrekker, treing av plast	Prestretcher, mounting film	Vorspanner, Folie Richtung	70 x 75
12	34970319	4	Faremerke, sylinder/ramme	Danger, cylinder/frame	Gefahr, Zylinder/Rahmen	50 x 70
13	34970302	*1	Faremerke, forstrekker	Danger, prestretcher	Gefahr, Vorspanner	Triangel
14	34970318	2	Faremerke, bærearmer	Danger, roller arms	Gefahr, Tragwalzen	80 x 95
15	34970303	*1	Faremerke, kniv	Danger, cutter	Gefahr, Messer	140 x 90
		*	<b>2 stk. på TWIN-modeller</b>	<b>2 pcs. for TWIN-models</b>	<b>2 stk. fur TWIN- Modelle</b>	

**RESERVEDELSLISTE - SPARE PARTS LIST - ERSATZTEILLISTE**  
**3-1 AUTO WRAP 1510/1514/TWIN**



**RESERVEDELSLISTE - SPARE PARTS LIST - ERSATZTEILLISTE**  
**3-1 AUTO WRAP 1510/1514/TWIN**

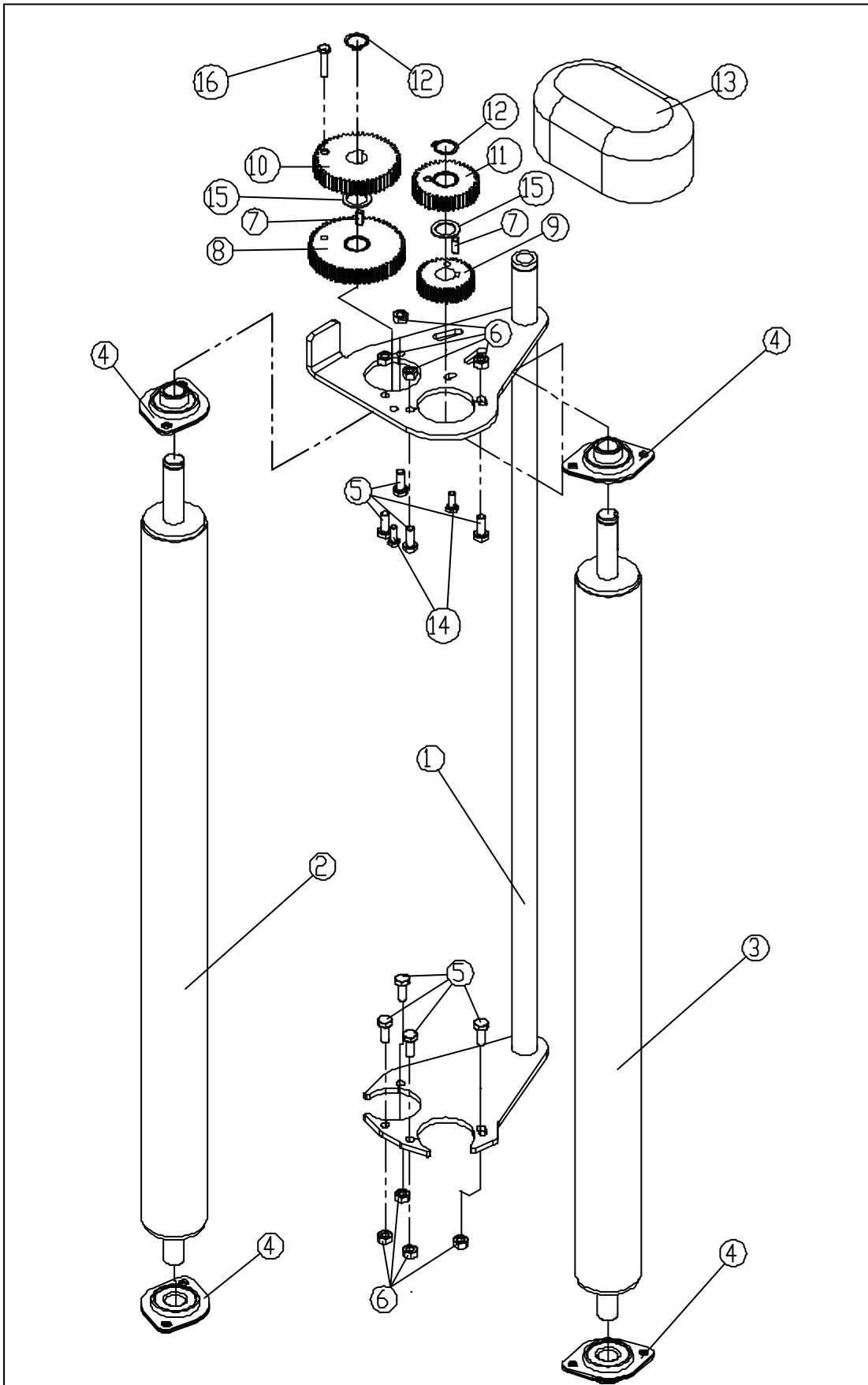
---

**Dispenser**

ITEM	PART NO.	QUANTITY	DESCRIPTION	Dimension
	1505000	1	Complete Dispenser 1514	
1	1505001	1	Dispenser Frame 1514	
2	1305100	1	Roller Sub Assembly	
3	1305034	1	Torsions Spring	
4	1305030	1	Pivot pin	
5	1305033	1	Split Pin	
6	Z23-10	1	M 10 Lock Nut	
7	34302122	2	M 10 flat washer	
8	1305027	1	Spring	
9	1305026	1	Top latch	
10	1305022	1	Top shaft	
11;16	1305020	2	25mm dia. Flat Washer	
12	1305021	1	Spring	
13	1305025	1	M10 x 60 Hex Bolt	
14	1305017	3	Cir-Clip for Shaft OD 25mm	
15;20	1305015	2	Bearing	
17	1305019	1	Upper Cone	
18	1305018	1	Plastic Cap 1 1/4	
19	1305016	1	Bottom Cone	
21	1305010	1	Bottom Latch	
22	Z23-08	1	M8 lock nut	
23*	WD60-FA	1	500mmm Film Adapter	

\* Optional

**RESERVEDELSLISTE - SPARE PARTS LIST - ERSATZTEILLISTE**  
**3-2 AUTO WRAP 1510/1514/TWIN**



**RESERVEDELSLISTE - SPARE PARTS LIST - ERSATZTEILLISTE**  
**3-2 AUTO WRAP 1510/1514/TWIN**

---

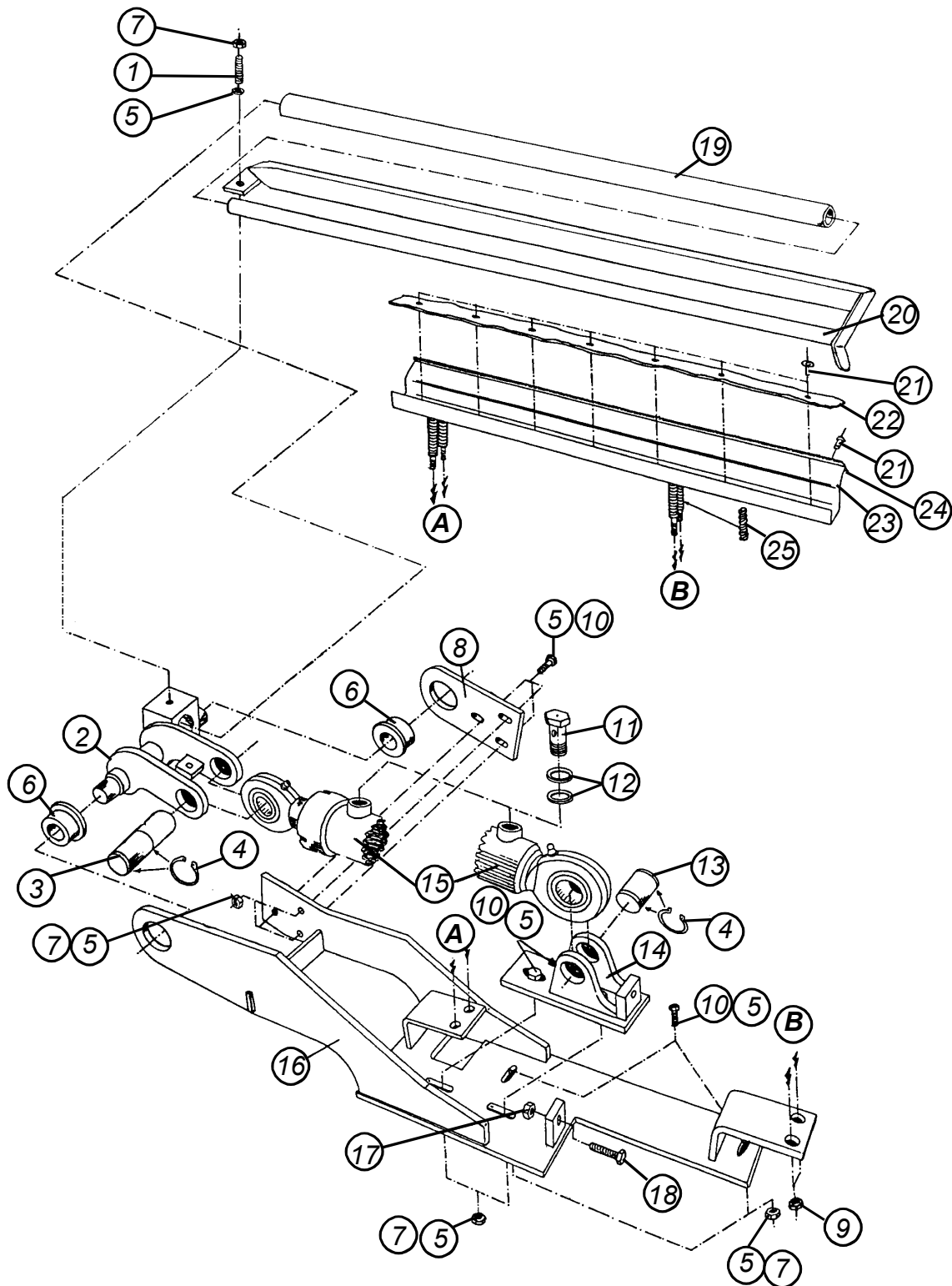
**Dispenser Insert**

ITEM	PART NO.	QUANTITY	DESCRIPTION	Dimension
	1305100	1	Dispenser Roller insert complete	
1	1305110	1	Insert Frame	
2	1305120	1	Inner Roller	
3	1305121	1	Outer Roller	
4	1305122	4	Bearing	RHP SLF20A
5	Z26-039S	8	M8 * 20 Bolt	
6	Z23-08	8	M8 Locknut	
7	1305123	2	6 mm square key steel	15 mm long
8	1305101	1	60 t gear	16 mm
9	1305102	1	35 t gear	16 mm
10	1305103	1	58 t Gear	16 mm
11	1305104	1	37 t Gear	16 mm
10*	1305105		54 t gear	16 mm
11*	1305106		41 t gear	16 mm
12	1305124	2	20 mm external cir-clip	
13	1305125	1	Dispenser Gearbox cover	
14	Z26-018S	2	M6 * 16 mm bolt	
15	1305115	2	Copper Washer between gears	
16	Z26-0225	1	M6 x 30 Bolt	

\* Optional 33% Stretch Gears

# RESERVEDELSLISTE - SPARE PARTS LIST - ERSATZTEILLISTE

## 5-1 AUTO WRAP



# RESERVEDELSLISTE - SPARE PARTS LIST - ERSATZTEILLISTE

## AUTO WRAP 5-1

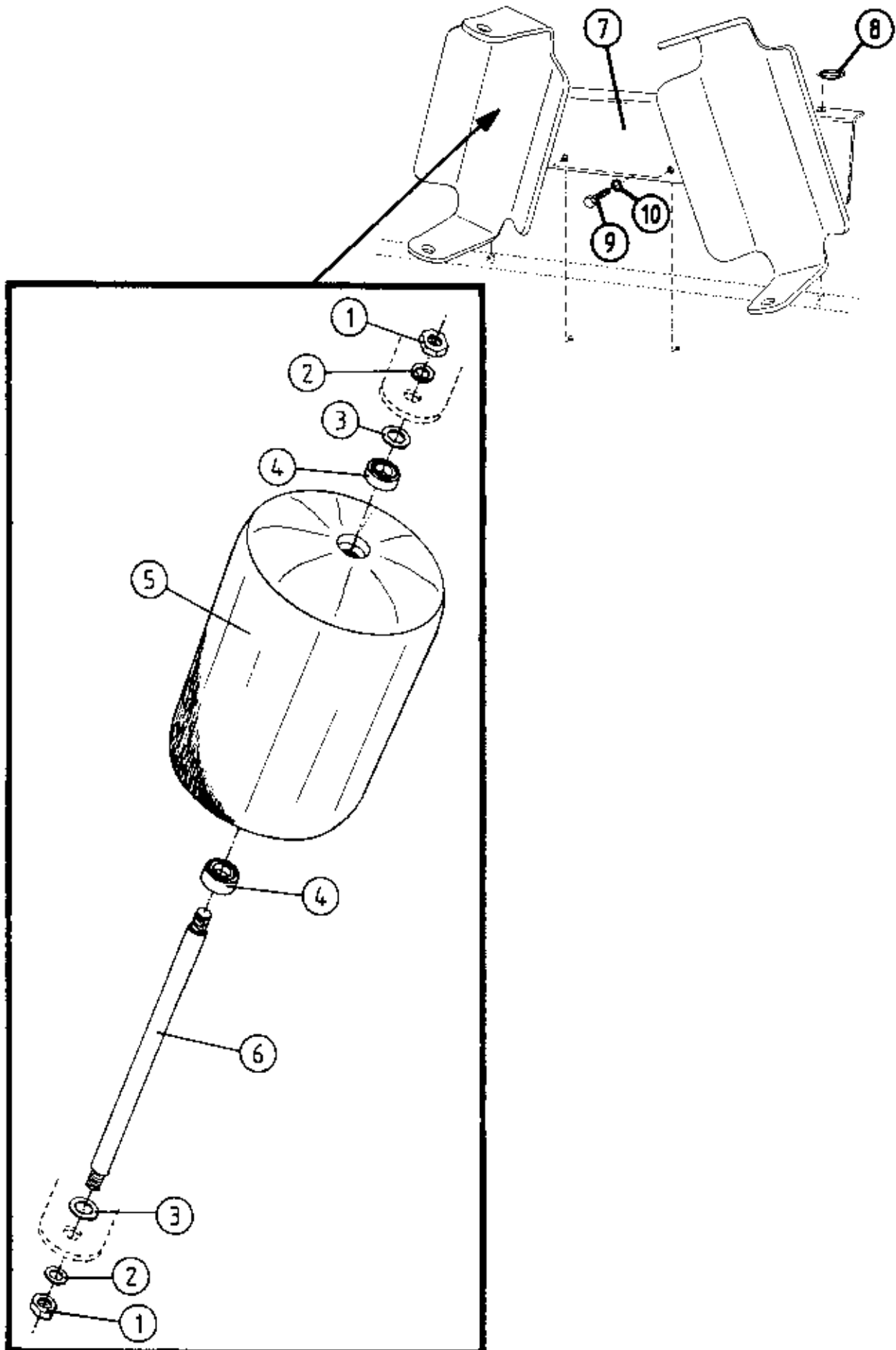
AUTOW5-1.WPD  
12. november 2002

### KNIV CUTTER MESSER

Pos	Art. Nr.	No	Beskrivelse	Description	Bezeichnung	Type - Dimension
	34920607		Kniv komplett (1996)	Cutter complete (1996)	Messer komplett (1996)	
1	34119142	1	Pinneskrue, rustfri	Screw stud, stainless	Schraubendübel, rostfrei	M8 x 35
2	34920524	1	Knivaksel	Knife shaft	Schwenkteil	
3	34105632	1	Sylinderbolt	Bolt for cylinder	Zylinderbolzen	25 x 69
4	34240704	4	Låsering	Locking ring	Sicherungsring	A 25
5	34302121	15	Skive, underlag	Washer	Scheibe	8 mm
6	34321518	2	Flenslager, 2992	Bearing, 2992	Flanschlager, 2992	20/28 x 16 - 35 x 4
7	34230500	8	Mutter, lås	Nut, lock	Schließmutter	M8, DIN 985
8	34920597	1	Knivøre (94-)	Fastening ear (94-)	Lagerhalter (94-)	
9	34230900	4	Mutter, lås	Nut, lock	Schließmutter	M10, DIN 985
10	34112700	7	Skruer	Bolt	Schraube	M8 x 30, DIN 933
11	34061935	2	Banjoskrue, slangekobling	Bolt for hose coupling	Banjoskrue	M16 x 1,5
12	34043500	4	Stålpakning	Tightening ring	Dichtungsring	DKAZ, 16 mm
13	34105631	1	Sylinderbolt	Bolt for cylinder	Zylinderbolzen	25 x 52
14	34920525	1	Sylinderfeste	Fastening bracket, cylinder	Zylinderbefestigung	
15a	34001102	1	Knivsyylinder (-93 og 95-00)	Cutter cylinder (-93 and 95-00)	Hydr. Zylinder (-93 und 95-00)	40/20 x 125 UNI
15b	34001111	1	Knivsyylinder (93-95)	Cutter cylinder (93-95)	Hydraulik Zylinder (93-95)	40/20 x 125 ØYA
15c	34001468	1	Knivsyylinder (2000 ! )	Cutter cylinder (2000 ! )	Hydraulik Zylinder (2000 ! )	BS 34001468
15d	34043800	-	Pakn.sett, knivsyyl. (-93, 95-)	Seal set, cylinder (-93, 95-)	Dicht.satz, Zylinder(-93, 95-)	BU/B2 40/20 UNI
16	34920596	1	Monteringsplate (94-)	Mounting bracket (94-)	Anbauplatte (94-)	
17	34230400	1	Mutter	Nut	Mutter	M8, DIN 934
18	34110003	1	Skruer	Bolt	Schraube	M8 x 45, DIN 933
19	34480009	1	Plasthylse	Plastic sleeve	Kunststoffbuchse	
20	34611422	1	Knivarm, (96-)	Cutter arm, (96-)	Messerarm, (96-)	
21	34150007	15	Popnagle	Pop-rivet	Popnagel	5 x 12/14
22	34450428	1	Gummiplate	Rubber strip	Gummiplatte	
23	34920585	1	Kniv underdel (93-)	Cutter, lower part (93-)	Messer, Unterteil (93-)	
24	34911039	1	Knivblad	Cutter blade	Messer Klinge	
25	34430301	4	Fjær	Spring	Feder	Danly

# RESERVEDELSLISTE - SPARE PARTS LIST - ERSATZTEILLISTE

## 6-1 AUTO WRAP 1510/1514/TWIN



# RESERVEDELSLISTE - SPARE PARTS LIST- ERSATZTEILLISTE

## AUTO WRAP 1510/1514/TWIN 6-1

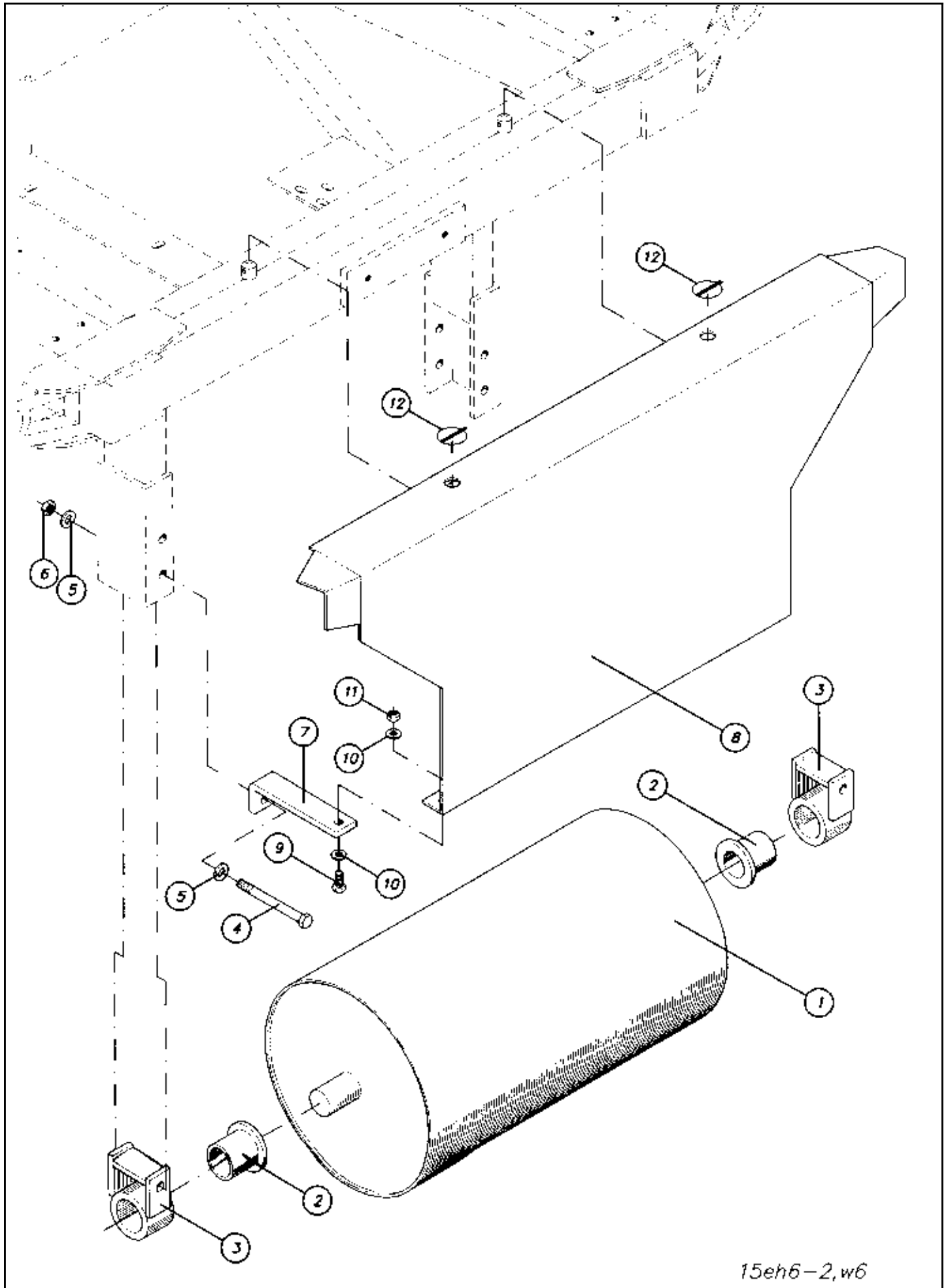
15EH6-1.002  
12. november 2002

### STØTTERULLER SUPPORT ROLLERS STÜTZROLLEN

Pos	Art. Nr.	No	Beskrivelse	Description	Bezeichnung	Type - Dimension
	35100401	-	Støtterullbrakett komplett	Support roller bracket, cpl.	Stützrollenbrakett, komplett	
1	34230900	4	Mutter, lås	Nut, lock	Schließmutter	M10, DIN 985
2	34302122	4	Skive, underlag	Washer	Scheibe	10 mm
3	34302125	4	Skive, underlag	Washer	Scheibe	16 mm
4	34320515	4	Sporkulelager	Track ball bearing	Rillenkugellager	6003 2RS
5	34340107	2	Støtterull	Support roller	Stützrollen	
6	34130213	2	Støtterullaksel	Support roller shaft	Welle fur Stützrollen	
7	34680034	1	Støtterullbrakett	Support roller bracket	Stützrollebrakett	
8	34200000	2	Orepinne	Linch pin	Klappsplint	6 mm
9	34110015	2	Skruer	Bolt	Schraube	M10 x 25, DIN 933
10	34310500	2	Sprengskive	Spring washer	Federring	10 mm

# RESERVEDELSLISTE - SPARE PARTS LIST - ERSATZTEILLISTE

## 6-2 AUTO WRAP 1510/1514/TWIN



15eh6-2,w6

# RESERVEDELSLISTE - SPARE PARTS LIST- ERSATZTEILLISTE

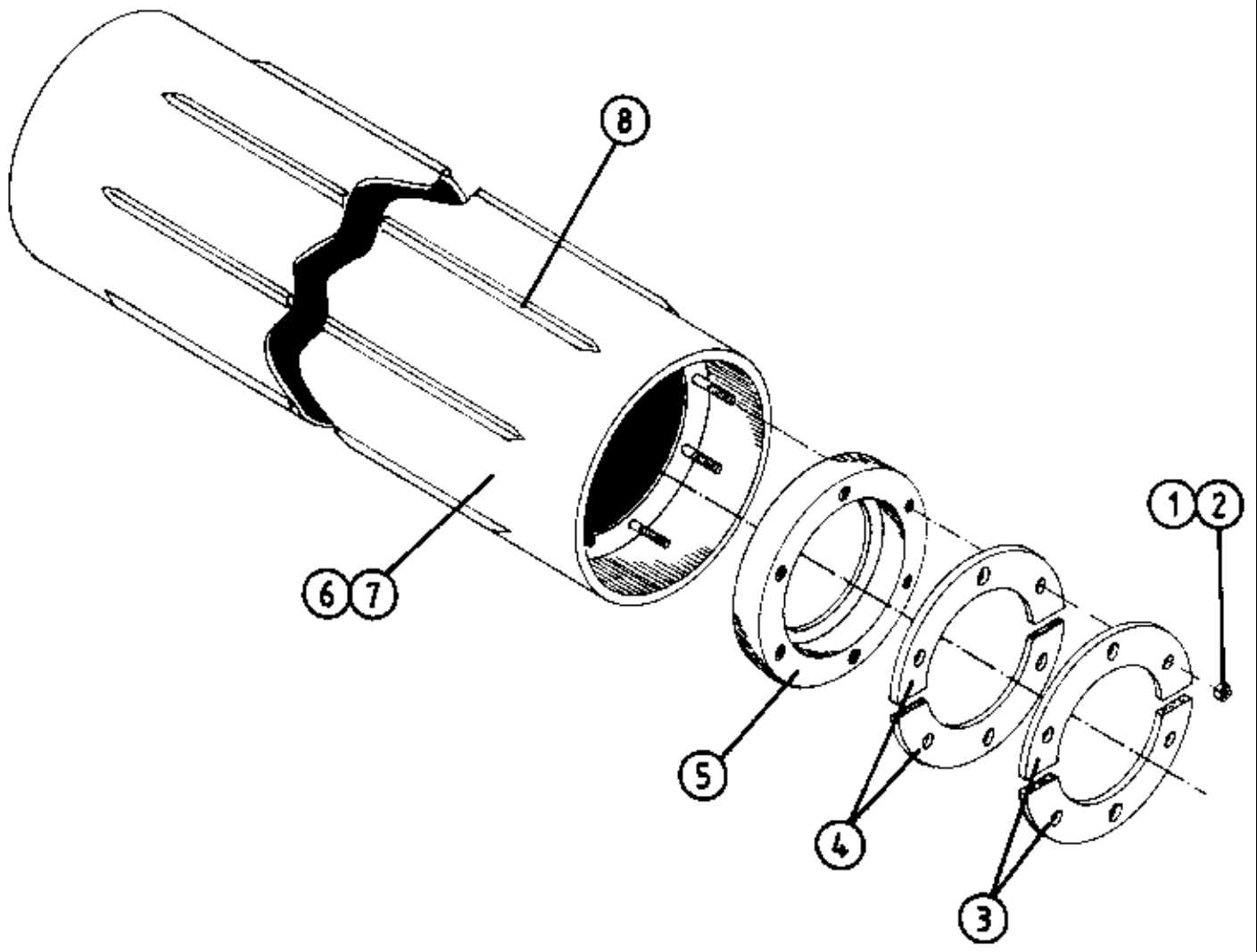
## AUTO WRAP 1510/1514/TWIN 6-2

15EH6-2.002  
12. november 2002

### AVLASTNINGSRULL / STØTTEPLATE SUPPORT ROLLER / SUPPORT PLATE ENTLASTUNGSROLLE / STÜTZPLATTE

Pos	Art. Nr.	No	Beskrivelse	Description	Bezeichnung	Type - Dimension
1	34340128	1	Avlastningsrull	Support roller	Entlastungsrolle	
2	34360503	2	Lagerforing	Bearing sleeve	Lagerbüche	
3	34321233	2	Lagerhus	Bearing house	Lagergehäuse	(96-)
4	34111100	2	Skruer	Bolt	Schraube	M12 x 120, DIN 931
5	34302123	4	Skive, underlag	Washer	Scheibe	12 mm
6	34231300	2	Mutter, lås	Nut, lock	Schließmutter	M12, DIN 985
*7	34670139	2	Støttestag	Support stay	Stützstag	(96-)
*8	34380508	1	Støtteplate	Support plate	Stützplatte	(97)
*9	34110300	2	Skruer	Bolt	Schraube	M10 x 30, DIN 933
*10	34302122	4	Skive, underlag	Washer	Scheibe	10 mm
*11	34230900	2	Mutter, lås	Nut, lock	Schließmutter	M10, DIN 985
*12	34200000	2	Orepinne	Linch pin	Klappsplint	6 mm
*			<b>Bare AW 1514.</b>	<b>Only AW 1514.</b>	<b>Nur AW 1514.</b>	

**RESERVEDELSLISTE - SPARE PARTS LIST - ERSATZTEILLISTE**  
**6-4 AUTO WRAP 1510/TWIN**



# RESERVEDELSLISTE - SPARE PARTS LIST- ERSATZTEILLISTE

## AUTO WRAP 1510/TWIN 6-4

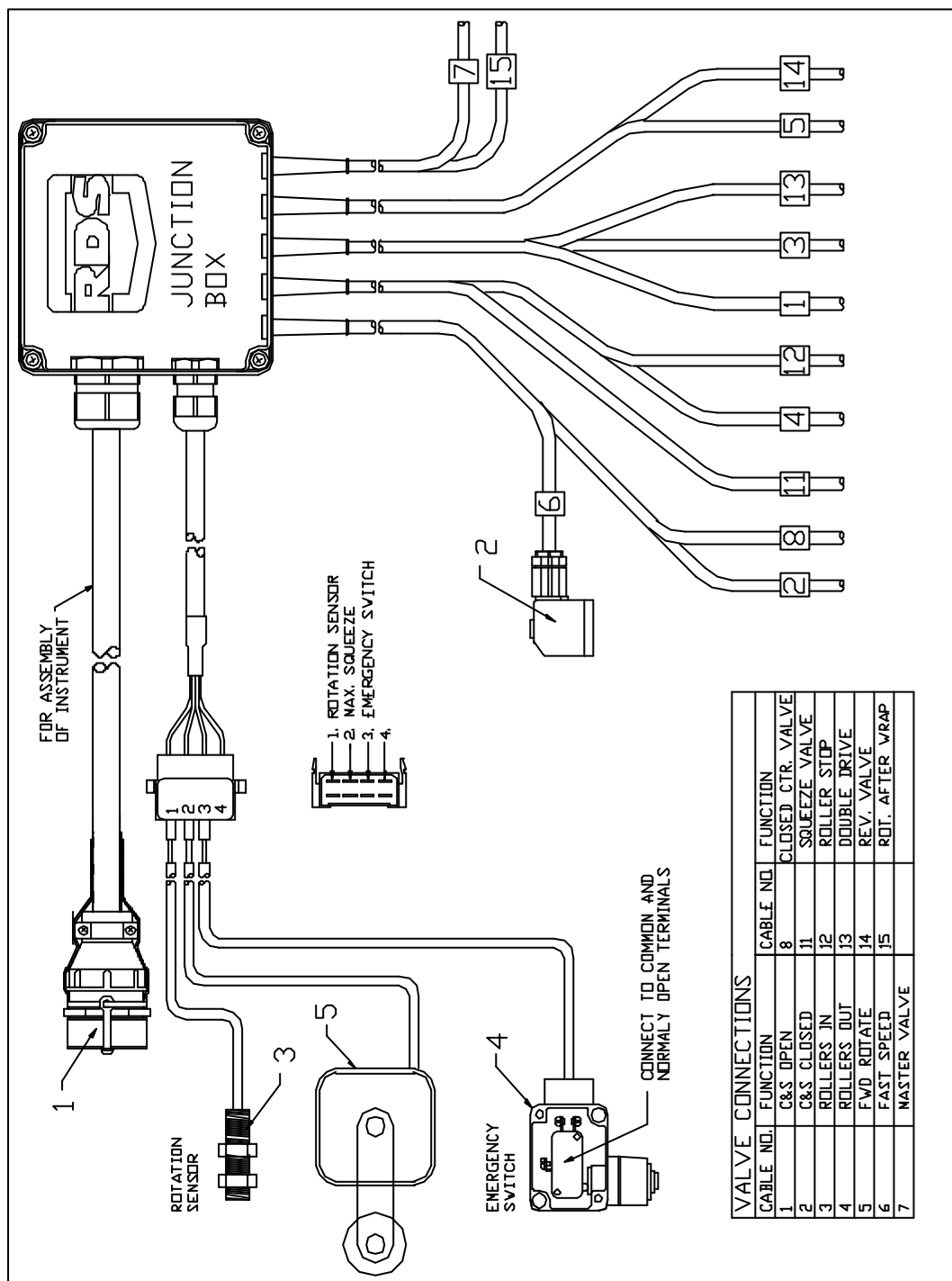
15006-4.wpd  
12. november 2002

### BÆRERULLER ROLLERS ROLLEN

Pos	Art. Nr.	No	Beskrivelse	Description	Bezeichnung	Type - Dimension
1	34230500	12	Mutter, lås	Nut, lock	Schließmutter	M8, DIN 985
2	34310400	12	Sprengskive	Spring washer	Federring	8 mm
3	34920579	4	Ytre klemplate	Outer clamp ring	Außere Klemmplatte	
4	34480013	4	Motholdshalvdel	Counter clamp ring	Haltering, gegenseitig	
5	34480012	2	Bæring	Support ring, outside	Tragering, außen	
6	34340123	1	Rull med gripejern	Roller with grip bars	Rolle mit Greifer	(94-)
7	34340122	1	Rull, glatt	Roller, plain	Rolle, glatt	(94-)
8	21906283	-	Gripejern for påsveising	Grip bars for welding	Greifer zum anachweißen	

# RESERVEDELSLISTE - SPARE PARTS LIST - ERSATZTEILLISTE

## 7-1 AUTO WRAP 1510/1514/TWIN

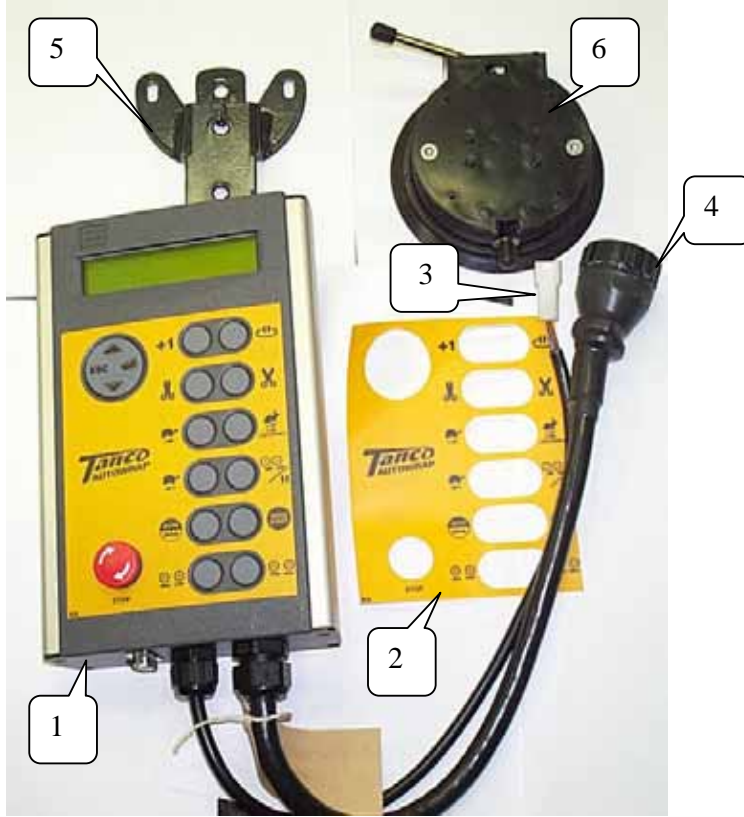


ITEM	PART NO.	QUANTITY	DESCRIPTION
	1309004	1	1300 Junction Box complete
1	1309003	1	Com Cable (3m) c/w 24 pin plug
2	1309005	7	Hirshmann c/w screw, gland and 0.7 m cable
3	1309203	1	RDS Sensor (4 m cable)
4	34950179	1	Emergency stop switch
5	34950333	1	Switch max. squeeze



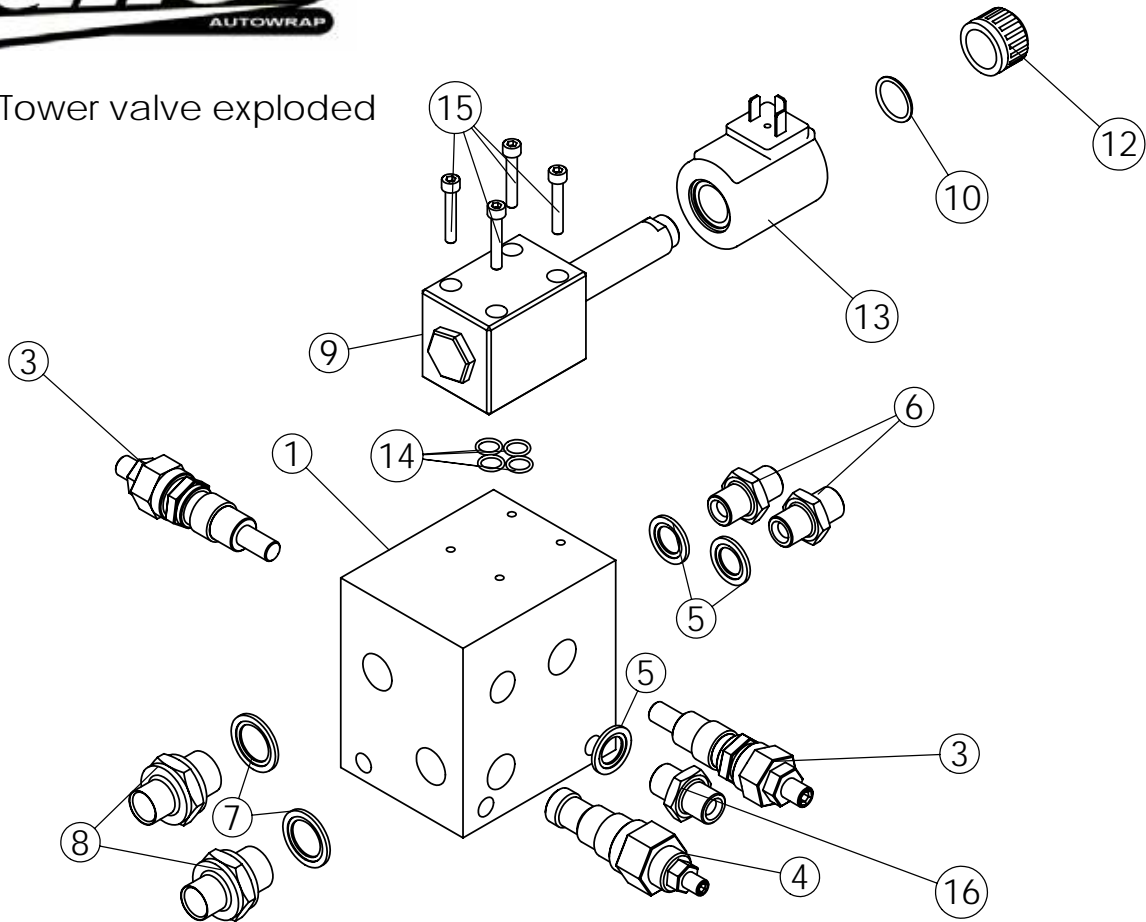
Tanco Auto wrap 1510-14  
Spare parts list

7.2. EH Controller

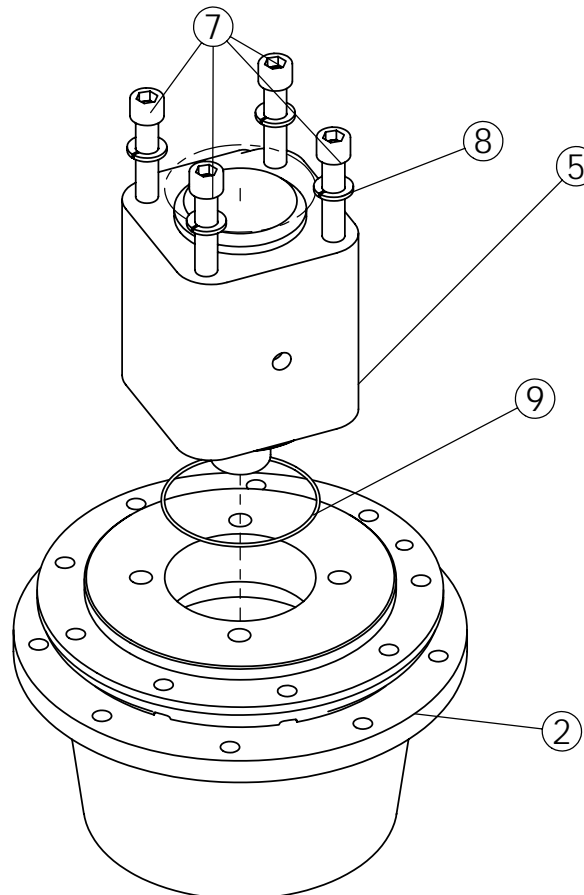


ITEM	PART NO.	QUANTITY	DESCRIPTION
1	1309006	1	RA Control Unit
2	1309001		RA Faceplate RDS
3	1309009	1	2 pin connector Female + 2 spade pins
4	1309008	1	24 pin socket
5	1309011	1	Controller mounting bracket EH
6	1309012	1	Controller suction cup
	1309100		1300 Extension Cable (3m)
	1309007		Battery Cable (3m)
	1309010		2 pin connector male + 2 female pins

### 8.1.1 Tower valve exploded



### 8.2.1 Tower Motor Exploded





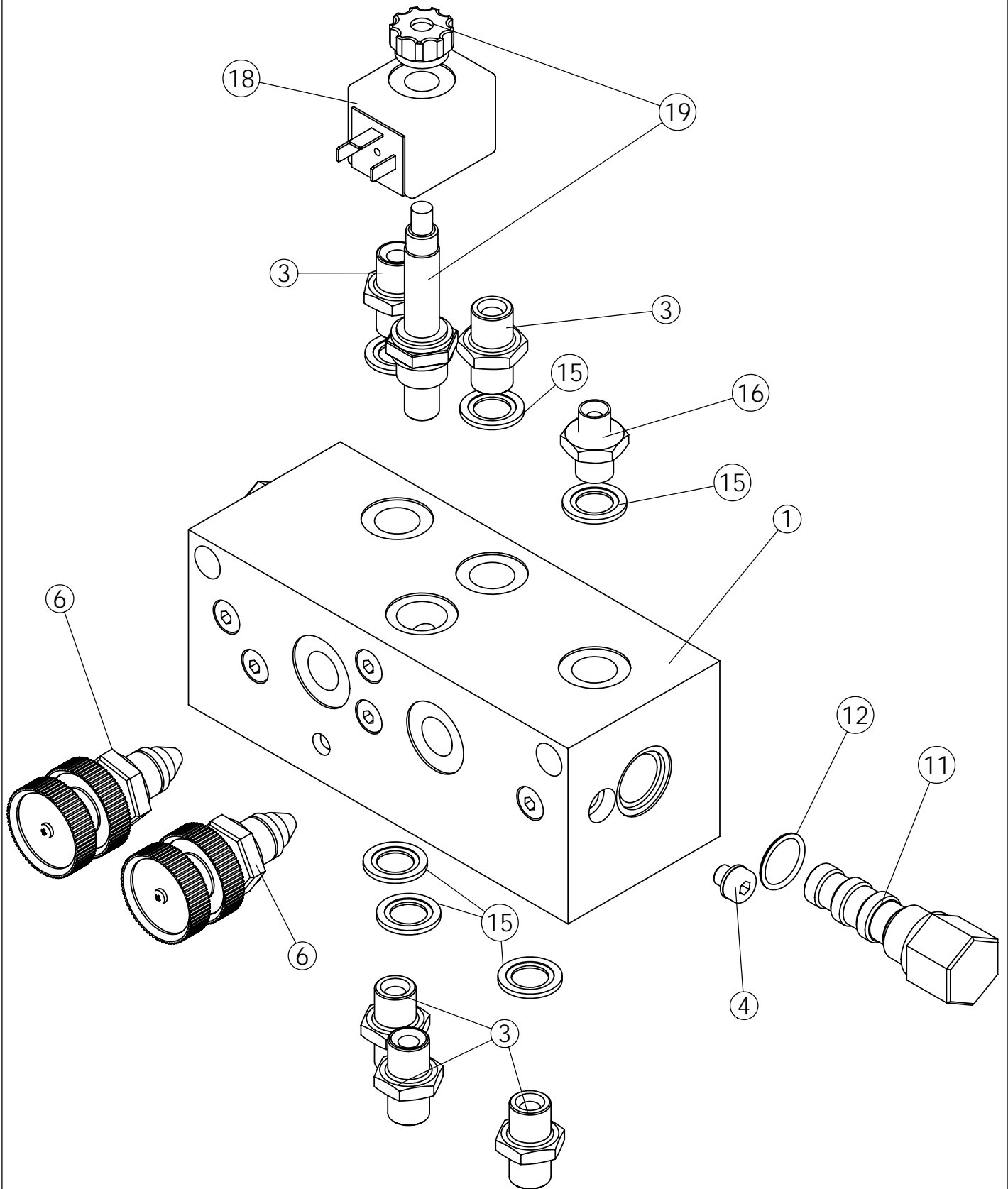
8.1.2 Tower valve parts list

ITEM NO.	PartNo	DESCRIPTION	QTY.
1	1308154	Tower block empty	1
2	1308180	Tower block complete (c/w reversing valve)	
3	1308108	Cross Line Relief Valve	2
4	1308109	Over-center Valve	1
5	Z01-04-02	3/8" BSP Dowty Washer	3
6	Z01-06-06-06	3/8" x 3/8" Adaptor	3
7	Z01-04-03	1/2" BSP Dowty Washer	2
8	Z01-06-06-08	1/2" x 3/8" Adaptor	2
9	1308170	Reversing valve complete (c/w solenoid)	1
10	1308171	Solenoid Seal Kit	1
12	1308173	Plastic Nut For 12V DC Coil	1
13	1308172	12V Coil	1
14	1308171	Cetop O-ring set (11 mmx 4)	1
15	Z13-5-05x30	M5 x 30 cap head bolt	4
16	Z01-06-04-06	3/8" x 1/4" Adaptor	1

8.2.2 Wrap arm motor and gearbox.

ITEM NO.	PartNo	DESCRIPTION	QTY.
1	1508900	Wrap arm motor and Gearbox	
2	1508902	1022 Gearbox (c/w brake)	1
3	1508904	1022 Brake kit	
4	1508903	End-plate kit	1
5	1508910	Wrap arm motor	1
6	1508911	HPRM Seal kit	
7	Z13-130	M12* 130 Allen Headed bolt	4
8	Z12-02-12	M12 Spring Washer	4
9	1508901	82.26 x 1.78 O-Ring	1

## 8.3 Adjustment block exploded

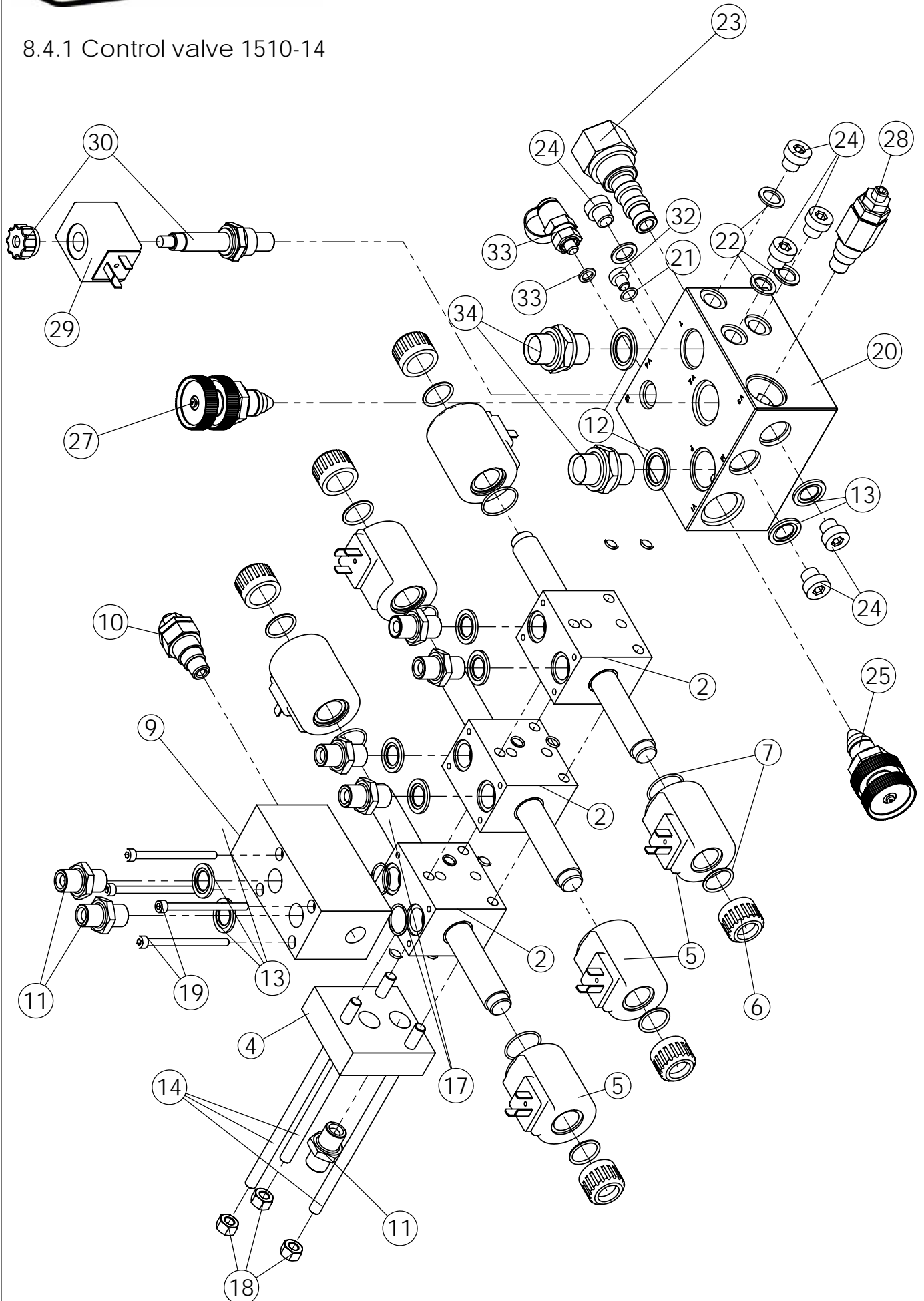




8.3.1 Adjustment block parts list

ITEM NO.	PartNo	DESCRIPTION	QTY.
1	1508020	Adjustment block complete	1
2	1508021	Adjustment block empty	
3	Z01-06-06-06	3/8" x 3/8" Adaptor	5
4	1308116	1/8" Plug	9
5	1300115	Copper Washer 1/8"	9
6	1301508020	Flow control valve	2
15	Z01-04-02-1508021	3/8" BSP Dowty Washer	6
16	Z01-06-04-06	1/4" x 3/8" BSP Male/Male Adaptor	1
19	1508002	2 Speed Valve	1
18	1308202	12 V Coil for 2 speed	1
19	1508002	nut for magnet (c/w valve)	1

## 8.4.1 Control valve 1510-14

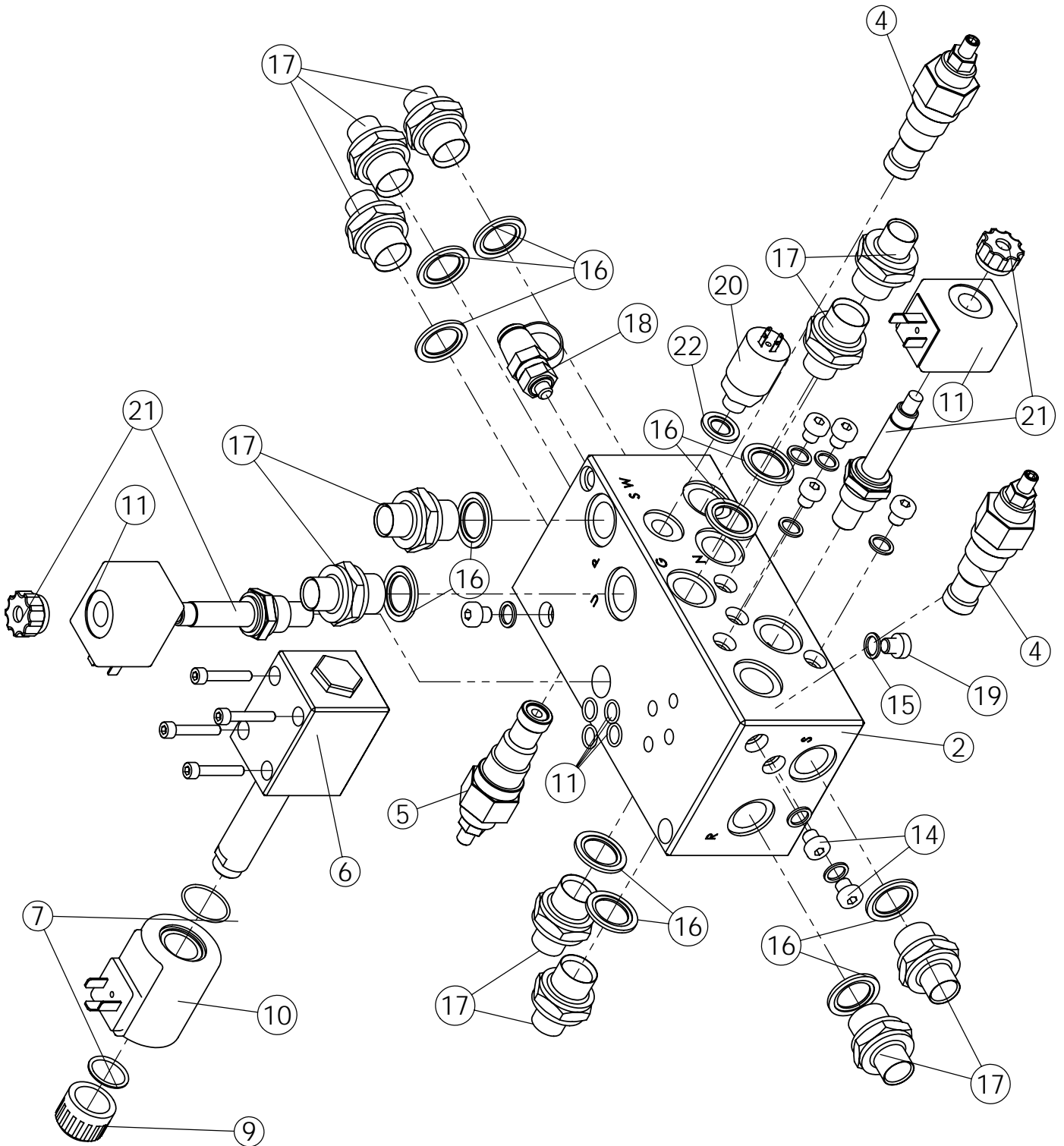




8.4.2 Control valve parts list

ITEM NO.	PartNo	DESCRIPTION	QTY.
1	1508250	1514 Control block complete	1
2	1308716	2 Dir Spool valve (OC)	3
4	1308706	End Plate	1
5	34087521	12V Coil	6
6	1308220	Plastic Nut For 12V DC Coil	6
7	1308714	O-Ring 21mm	6
8	1308714	O-Ring (26mm)	5
9	1308720	Single over-center valve block (c/w valve)	1
10	1308721	Over-center valve	1
11	Z01-06-06-06	3/8" x 3/8" Adaptor	7
12	Z01-04-03	1/2" BSP Dowty Washer	3
13	Z01-04-02	3/8" BSP Dowty Washer	9
14	1308713	Tie Rod	3
15	1308714	Entry & Control Block Seal Kit	8
16	1308714	19mm O- ring	2
17	1308714	Entry & Control Block Seal Kit	2
18	Z23-08	Nut M8	3
19	1308715	M5 x 60mm Socket Head Bolt	4
20	1308900	1514 Entry block complete	1
21	1308714	O-Ring 11 mm	3
22	Z01-04	1/8" BSP Dowty washer	4
23	1308902	Compensator valve	1
24	Z01-06-MB08	1/4" Male Blank	6
25	1308252	Flow control valve	2
28	1308903	100 l Pressure relief Valve	1
29	1308202	Solenoid	1
31	1308708	Master valve	1
32	1308115	1/8" BSP Male plug	1
33	1308710	1/4" Test Point	1
34	Z01-06-08-08	1/2" x 1/2" Adaptor	2

8.5.1 Assembly Block exploded





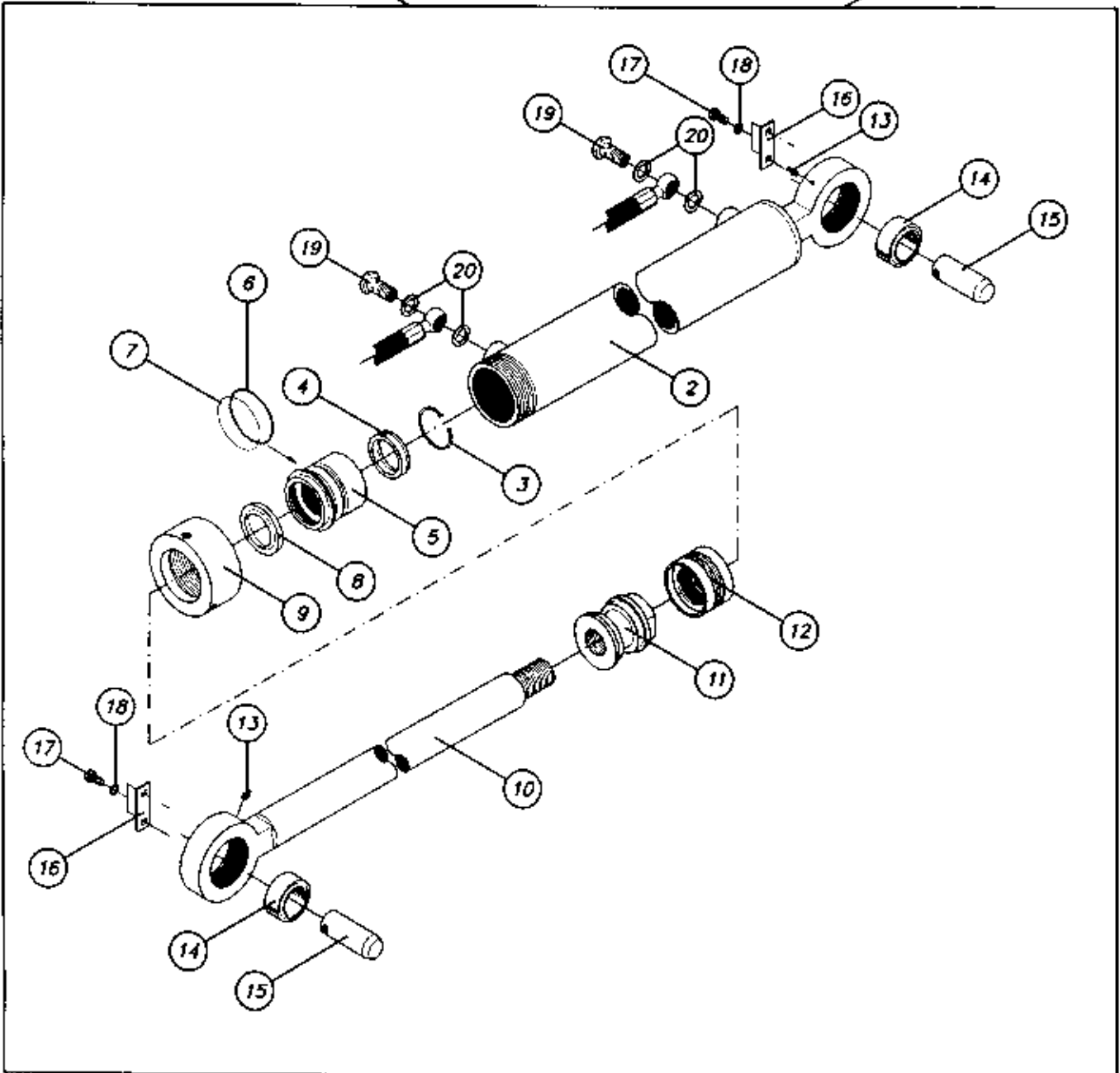
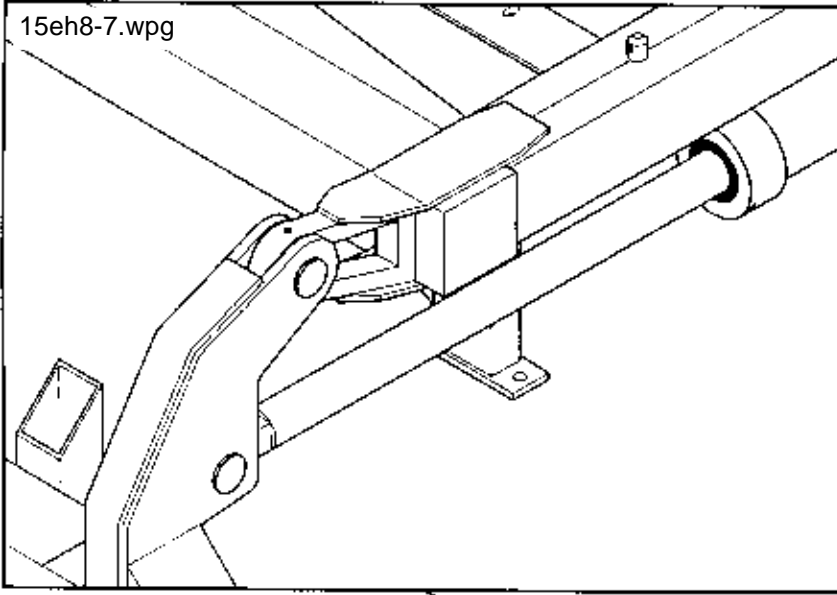
8.5.2 Assembly block parts list

ITEM NO.	PartNo	DESCRIPTION	QTY.
1	1508150	Assembly block complete	1
2	1508151	Assembly block empty	1
21	1508404	Freewheel valve (NC)	1
4	1308109	Over-center Valve	3
5	1308109	V 34 as above	
6	1308170	Reversing valve complete (c/w solenoid)	1
7	1308171	Cetop Seal Kit	1
9	1308173	Plastic Nut For 12V DC Coil	1
10	1308172	12V Coil	1
11	1308171	Cetop O-ring set (11 mm x 4)	1
12	1308202	12 V Solenoid	2
13	Z13-5-05x30	M5 x 30 cap head bolt	4
14	1308116	1/8" Plug	2
15	1308116	Copper Washer 1/8"	8
16	Z01-04-03	1/2" BSP Dowty Washer	11
17	Z01-06-06-08	1/2" x 3/8" Adaptor	11
18	1308710	1/4" Test Point	1
19	1308115	1/8" BSP Male plug	6
20	1508161	Pressure switch	1
21	1508152	Freewheel valve (NC)	1
22	Z01-04-01	1/4" BSP Dowty Washer	1

# RESERVEDELSLISTE - SPARE PARTS LIST - ERSATZTEILLISTE

## 8-7 AUTO WRAP 1510/1514/TWIN

15eh8-7.wpg



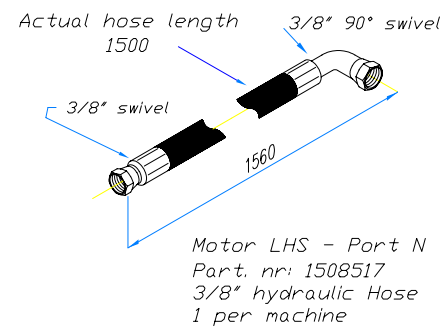
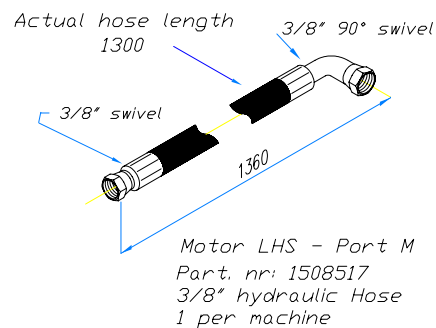
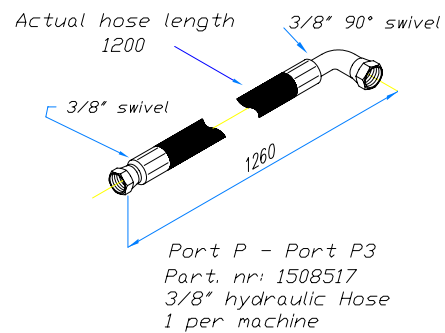
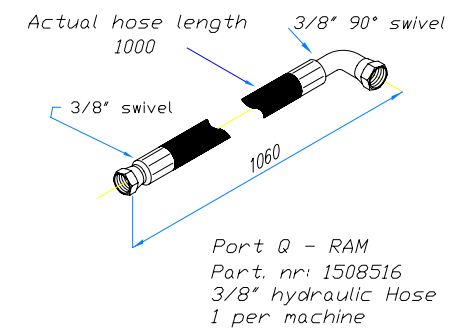
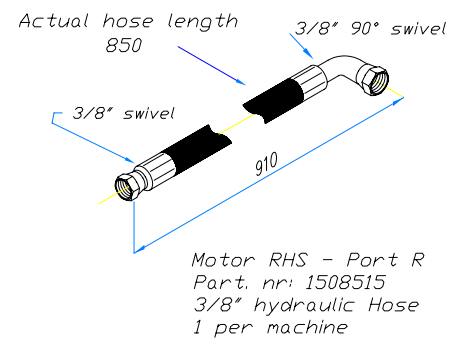
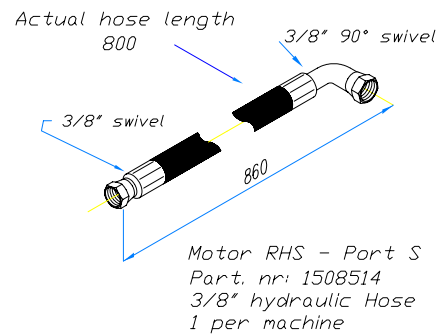
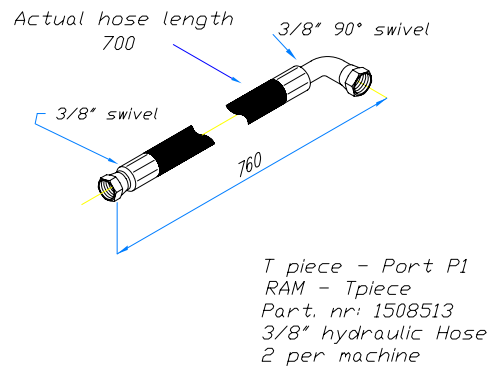
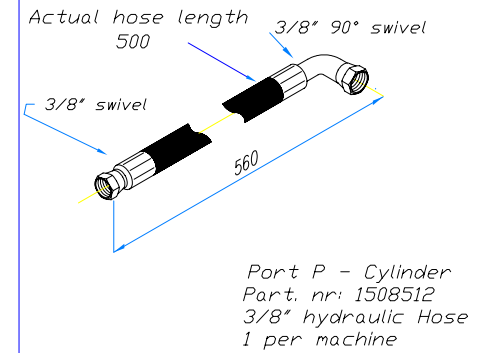
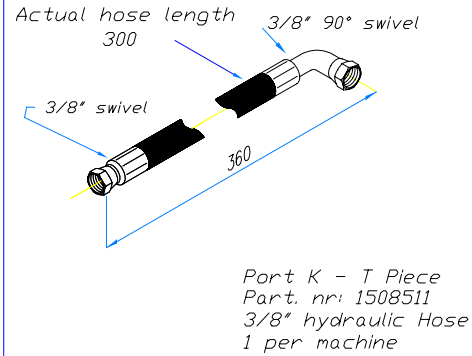
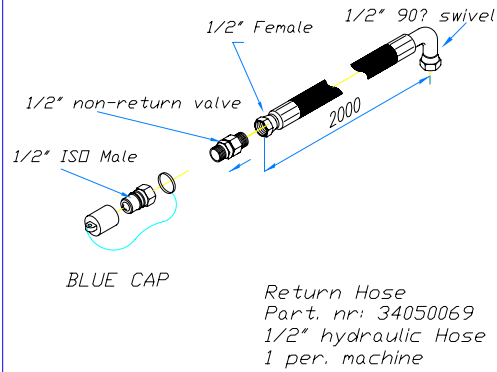
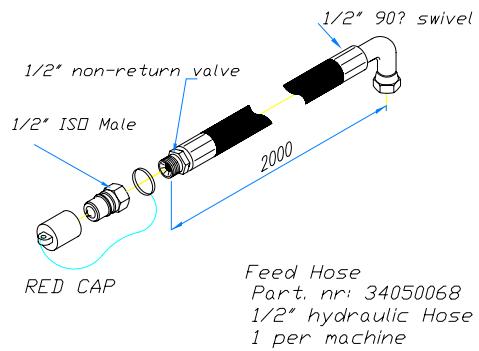
# RESERVEDELSLISTE - SPARE PARTS LIST- ERSATZTEILLISTE

## AUTO WRAP 1510/1514/TWIN 8-7

15EH8-7.002  
13. november 2002

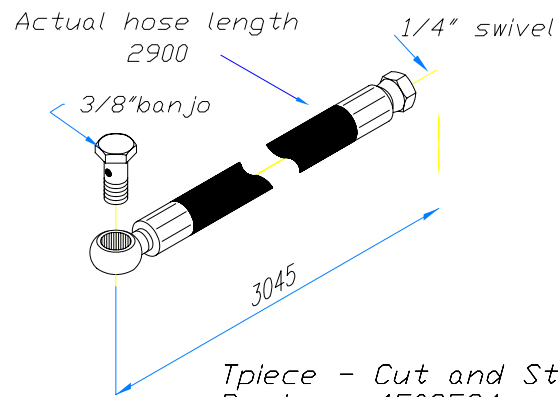
### BREDDESYLINDER WIDTH CYLINDER BREITENZYLINDER

Pos	Art. Nr.	No	Beskrivelse	Description	Bezeichnung	Type - Dimension
1	34001490	-	Breddesyliner, komplett med lager. (2000 ! )	Width cylinder, complete with bearings. (2000 ! )	Breitenzylinder, komplett mit Lager. (2000 ! )	BS 34001490
1	34001113	1	Breddesyliner, komplett med lager. (! 2000)	Width cylinder, complete with bearings. (! 2000)	Breitenzylinder, komplett mit Lager. (! 2000)	70/40 x 665 ØYA
	35042800	-	Pakningsett (Pos. 4, 6, 7, 8 og 12)	Sealing set (Pos. 4, 6, 7, 8 and 12)	Dichtungsatz (Pos. 4, 6, 7, 8 und 12)	70/40 ØYA
2	34010005	1	Sylinderhylse	Cylinder sleeve	Zylinderhülse	70 x 665
3	34240718	1	Låsering	Locking ring	Sicherungsring	I-55
4	34044035	1	Stangpakning	Gland seal	Stangendichtung	40 x 55 x 22,5
5	34031906	1	Pakkboks	Gland	Stopfbüchse	70 x 40
6	34044021	1	O-ring	O-ring	O-Ring	63,09 x 3,53
7	34044022	1	Støttering	Support ring	Stützring	230
8	34044036	1	Avskraper	Wiper ring	Abstreifer	40 x 48 x 7
9	34031905	1	Pakkboksmutter	Cylinder cap	Stopfbüchsenmutter	70 mm
10	34020611	1	Stempelstang	Rod	Kolbenstange	70/40 x 665
11	34031904	1	Stempel	Piston head	Kolben	70 mm
12	34040300	1	Stempelpakning	Piston head seal	Kolbendichtung	70 x 50 x 22
13	34060801	2	Fettnippel	Grease nipple	Schmiernippel	M6
14	34320521	2	Gelenklager	Joint bearing	Gelenklager	GE 30 DO
15	34105625	2	Bolt	Bolt	Bolzen	30 x 76
16	34680011	2	Låsebrikke	Locking piece	Sicherungsblech	M8 x 16, DIN 933
17	34119017	4	Skruer	Bolt	Schraube	8 mm
18	34310400	4	Sprengskive	Spring washer	Federring	8 mm
19	34061914	2	Banjoskrue	Bolt for hose coupling	Banjoschraube	3/8"
20	34041700	4	Stålpakning	Tightening ring	Dichtungsring	DKAZ, 3/8"

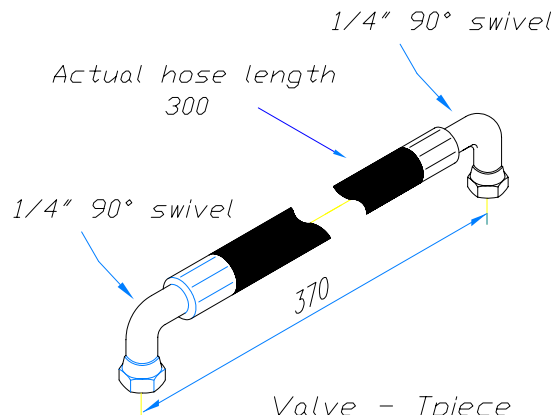


N.B. Ensure Banjo Bolts and Dowty washers are supplied.

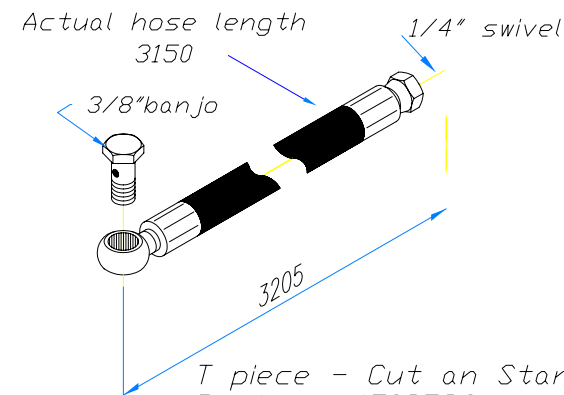
Date	19-04-06	Drawn By:	A.D	MAlestokk M	TANCO Autowrap Bagenalstown
TANCO 1510-14 BASIC_HOSE_KIT					R18-85A



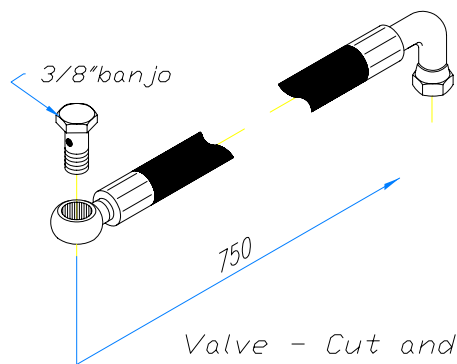
T piece - Cut and Start  
 Part. nr: 1508524  
 3/8" hydraulic Hose  
 1 per machine



Valve - T piece  
 Part. nr: 1508525  
 1/4" hydraulic Hoses  
 2 per. 1514 T



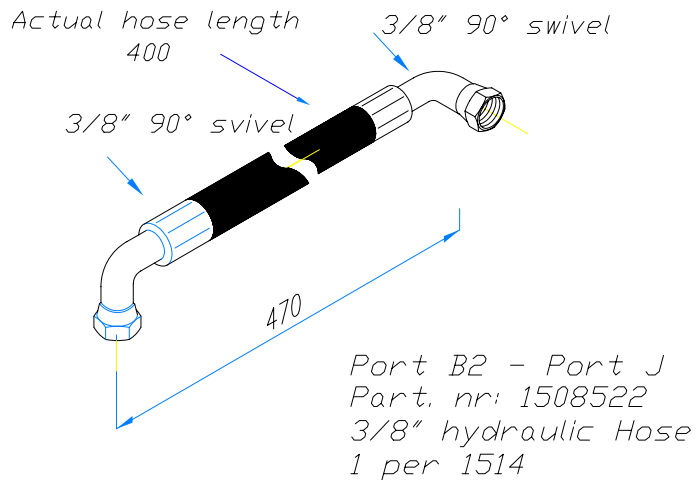
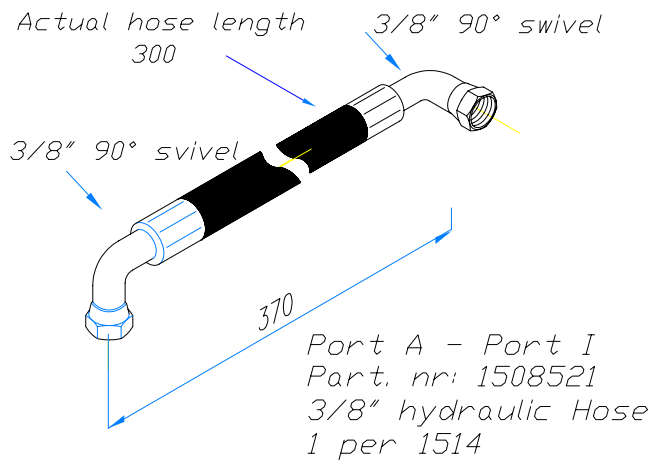
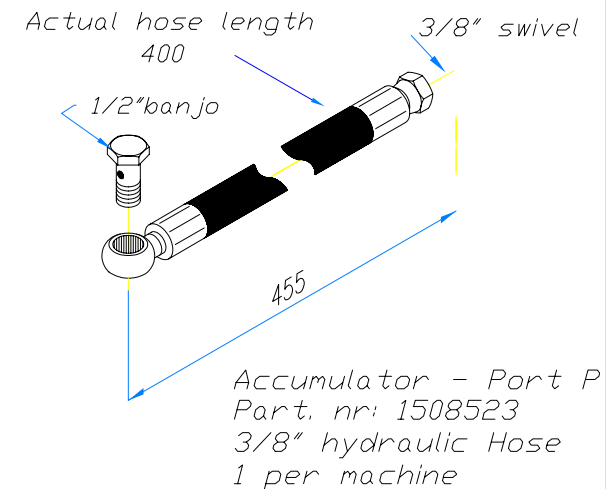
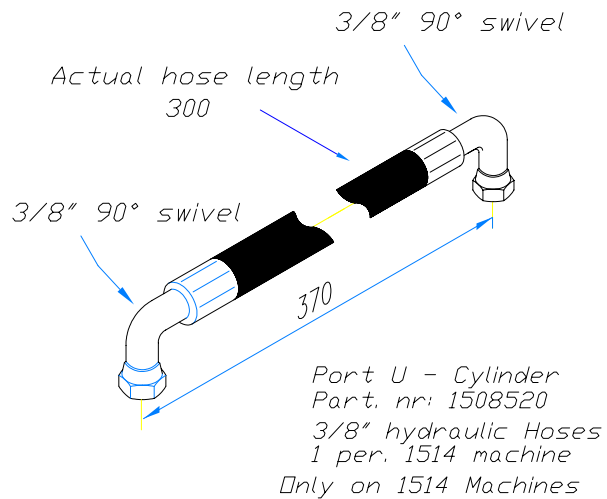
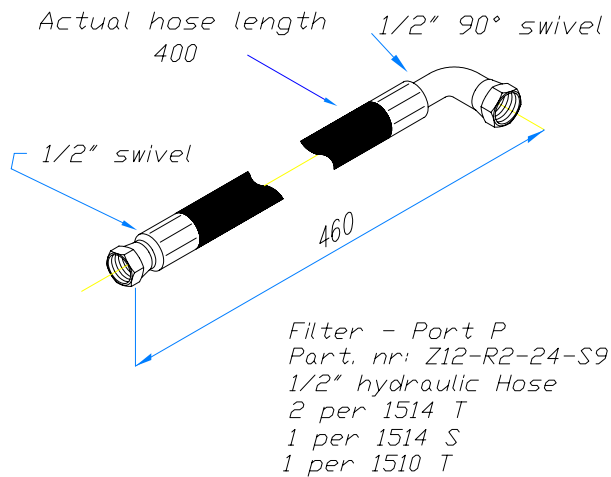
T piece - Cut and Start  
 Part. nr: 1508526  
 3/8" hydraulic Hose  
 3 per Twin machine



Valve - Cut and Start  
 Part. nr: 1508524  
 3/8" hydraulic Hose  
 2 per machine Single

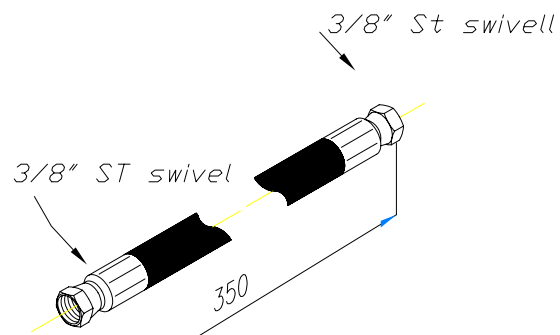
N.B. Ensure Banjo Bolts and Dowty washers are supplied.

Date	19-04-06	Drawn By:	A.D	Målestokk	M	TANCO Autowrap Bagenalstown
TANCO 1510-14 EXTRA_HOSE_KIT_FOR_TWIN						R18-85D

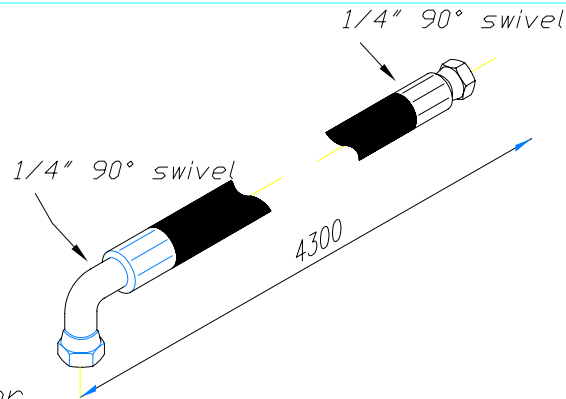


N.B. Ensure Banjo Bolts and Dowty washers are supplied.

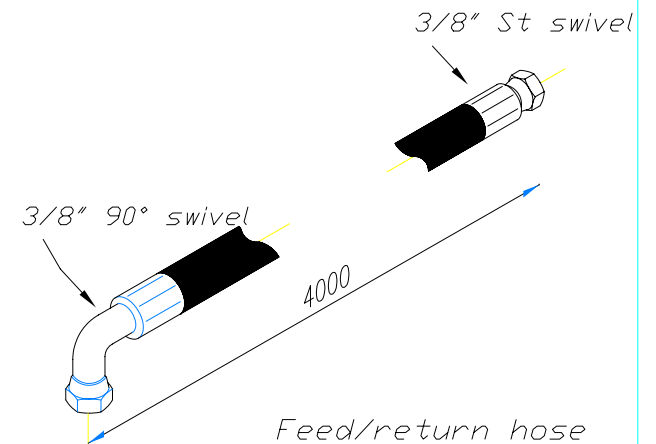
Date	Drawn By:	Målestokk	TANCO Autowrap Bagenalstown
19-04-06	A.D	M	
TANCO 1510-14 EXTRA_HOSE_KIT			R18-85B



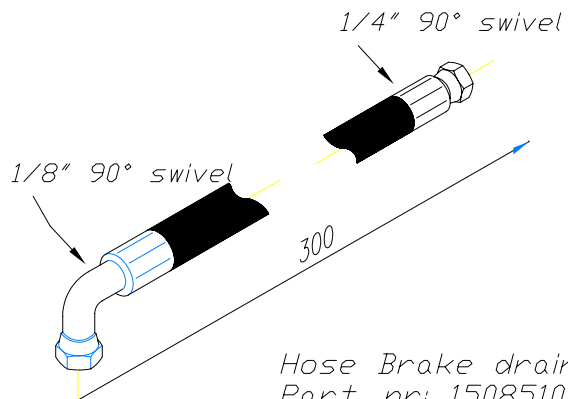
Hose from Block to Motor  
 Part. nr: 1508509  
 3/8" hydraulic Hose  
 2 per machine



Hose Case drain  
 Part. nr: 1508508  
 1/4" hydraulic Hose  
 1 per machine



Feed/return hose  
 Part. nr: 1508507  
 3/8" hydraulic Hose  
 2 per machine



Hose Brake drain  
 Part. nr: 1508510  
 1/4" hydraulic Hose  
 1 per machine

Date	Drawn By:	Målestokk	TANCO Autowrap
06-04-06	A.D	M	Bagenalstown
TANCO 1510-14 TOWER_HOSE_KIT06			R18-85C