



SPARE PARTS LIST

We recommend that when you need spare parts, you should use only original parts.

When ordering spare Parts use the following:

- Drawings are marked with a position number.
- On the accompanying table you will find the position number, its equivalent part number and description. The entire part number and description must always be relayed on ordering.
- **IMPORTANT!**
When ordering always give the serial number on the wrapping machine and specify the Model of Machine.
- We ask that you fax your parts order to your Tanco dealer, to ensure quick delivery



Tanco Autowrap 404 Mini wrap
Spare Parts book

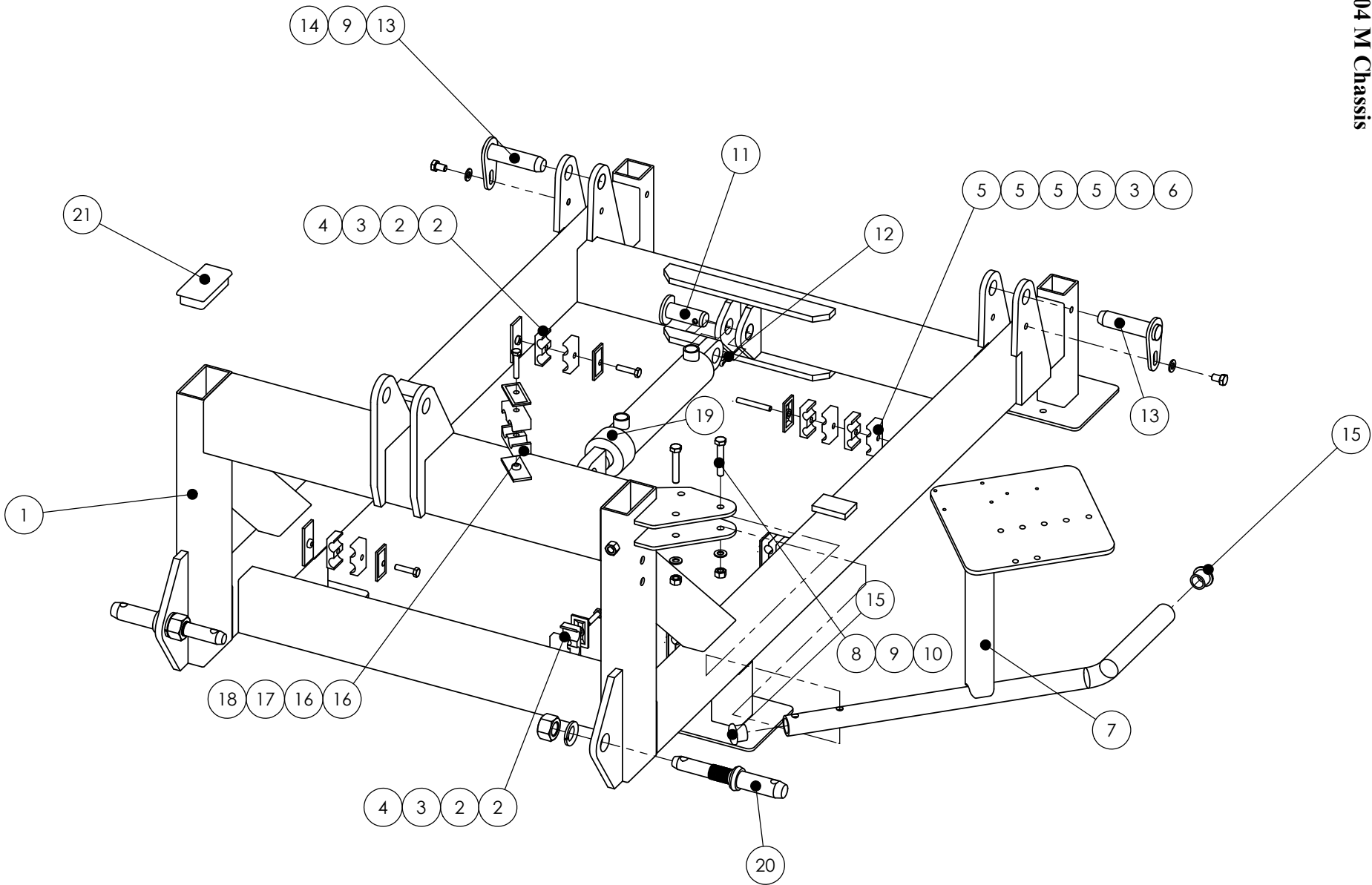


TABLE OF CONTENTS

	<u>Page:</u>
1. Chassis 404	
1.1. Chassis 404 S & M	
1.1.1. Exploded View	3
1.1.2. Part List	4
1.2. Chassis 404EH	
1.2.1. Exploded View	5
1.2.2. Part List	6
2. Loading Arm 404EH	
2.1. Exploded View	7
2.2. Part List	8
3. Tipping Frame	
3.1. Exploded View	9
3.2. Part List	10
4. Turn Table	
4.1. Exploded View	11
4.2. Part List	12
5. Rocking Roller	
5.1. Exploded View	13
5.2. Part List	14
6. Cut & Start	
6.1. Exploded View	15
6.2. Part List	16
7. Hydraulic Valve	
7.1. 404S	17
7.2. 404M	18
7.3. 404EH	19
8. Electronics	
8.1. 404S/M	20-21
8.2. 404EH	22-23
9 Dispenser.	
9.1 Dispenser exploded view	24
9.2 Dispenser parts list	25
9.3 Dispenser insert exploded view	26
9.4 Dispenser insert parts list	27



404 M Chassis

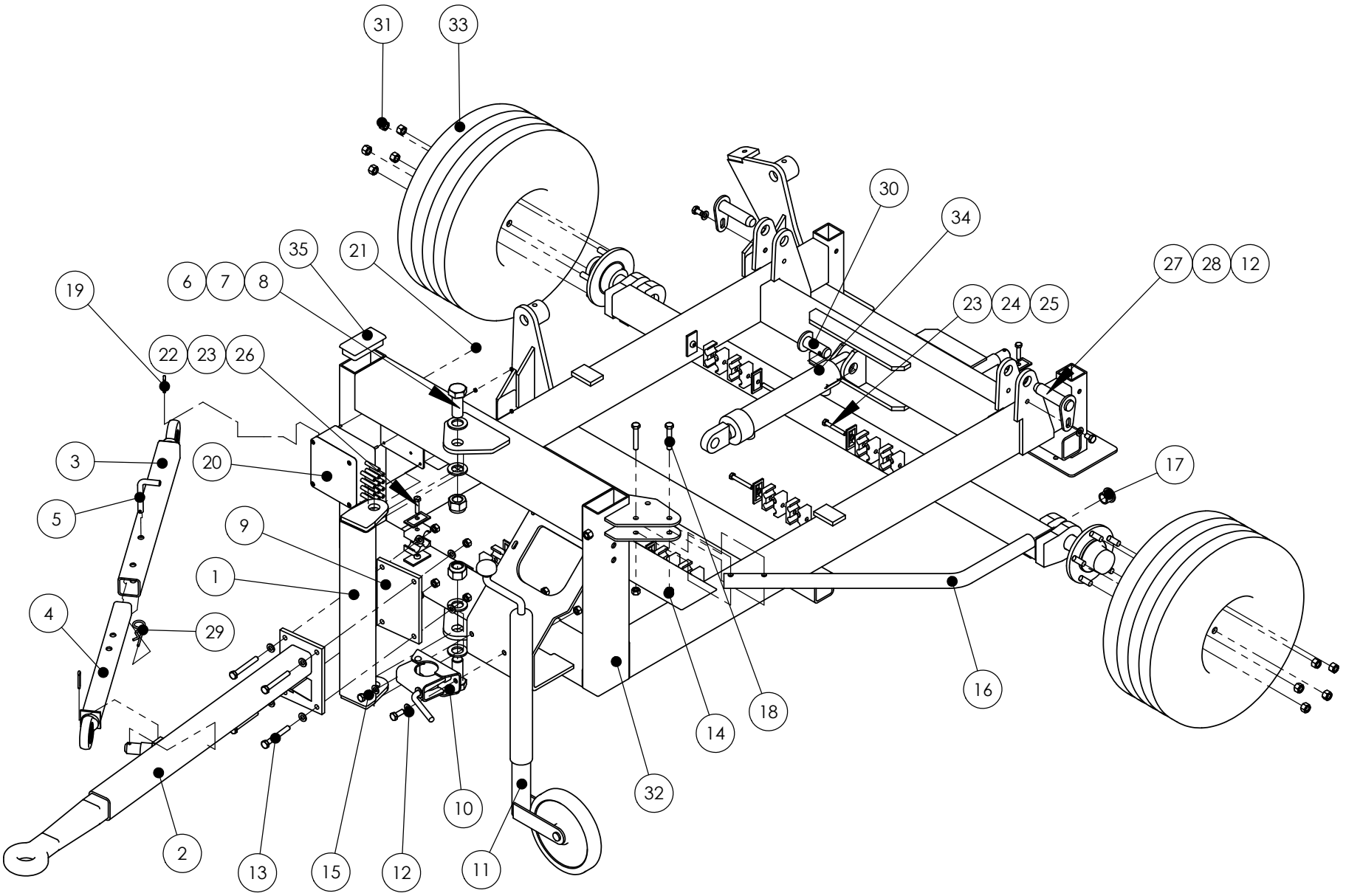




1.1.2. Part List 404 Chassis S&M

ITEM NO.	PART NUMBER	DESCRIPTION	QTY.
1	34611474	404 M Chassis	1
2	Z01-24-28	18mm Pipe Clamp	8
3	34260124	Pipe clamp top	7
4	Z26-042S	Bolt (M8x35)	4
5	34260123	15mm Pipe Clamp	12
6	Z26-047B	Bolt (M8x60)	3
7	1001215	Safety arm & Valve mounting assembly	1
8	Z26-06713	Bolt (M10x60)	2
9	34302122	Washer (M10)	4
10	34230900	Nut (M10)	2
11	WD404-002	Tipping Cylinder pin	1
12	34220701	Split Pin (5x32)	1
13	1001201	Pivot Pin 404 Tip Frame	2
14	Z26-059S	Bolt (M10x16)	2
15	Z23-168	32mm ID Plastic stop	2
16	34260209	15mm Pipe Clamp	2
17	342601177	Pipe clamp top	1
18	Z26-044B	M8 x 45mm Hex Bolt	1
19	34001131	Tip Frame Cylinder	1
19b	1001210	404 S Locking Stay	1
20	34105716	Bolt (KAT 1-2) (c/w nut & spring washer)	2
21	Z32-111	100x50mm Plastic Cap	1

404 EH Chassis



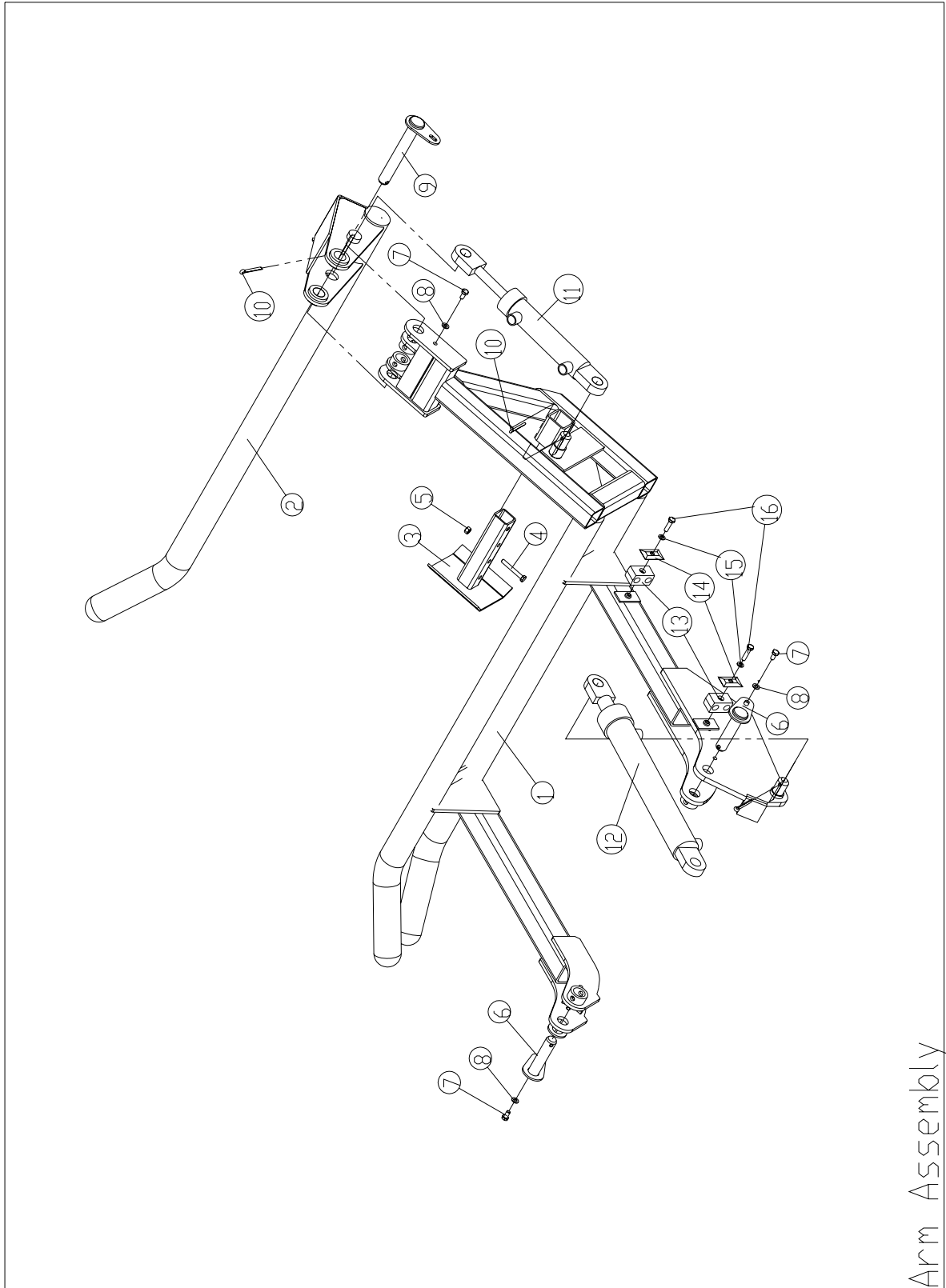


1.3.2. EH Chassis Parts Lists

ITEM NO.	PART NUMBER	DESCRIPTION	QTY.
1	34611506	Trail kit pivot	1
2	34611501	Trail kit drawbar	1
3	34611503	Drawbar Stay Outer	1
4	34611504	Drawbar Stay Inner	1
5	Wd60-861	Bissel Pin	1
6	34302127	Washer (M24)	4
7	34115000	Bolt (M24x60)	2
8	34233800	Nut	2
9	21905813	Clamp	1
10	34670185	Jack Clamp	1
11	34670184	Jack	1
12	34302122	Washer (M10)	12
13	34110019	Bolt (M10x80)	4
14	34230900	Nut (M10)	8
15	Z26-0611S	Bolt (M10x25)	2
16	1001214	404 Safety arm	1
17	Z23-168	32mm ID Plastic stop	1
18	Z26-06713	Bolt (M10x60)	2
19	34220701	Split Pin (5x32)	3
20	1009001	RDS Junction Box	1
21	Z23-04	Nut (M4)	4
22	Z01-24-28	18mm Pipe Clamp	6
23	34260124	Pipe clamp top	8
24	34260123	15mm Pipe Clamp	20
25	Z26-047B	Bolt (M8x60)	5
26	Z26-042S	Bolt (M8x35)	3
27	1001201	Pivot Pin 404 Tip Frame	2
28	Z26-059S	Bolt (M10x16)	2
29	Z36-02	R-Clip (4mm)	1
30	WD404-002	Tipping Cylinder pin	1
31	34611508	Wheel nut (M12 UNF)	10
32	1001000	404 EH Chassis 05	1
33	34611495	Wheel & Tyre	2
34	34001131	Tip Frame Cylinder	1
35	Z32-111	100x50mm Plastic Cap	1

2. Loading arm 404EH

2.1. Exploded View



Arm Assembly

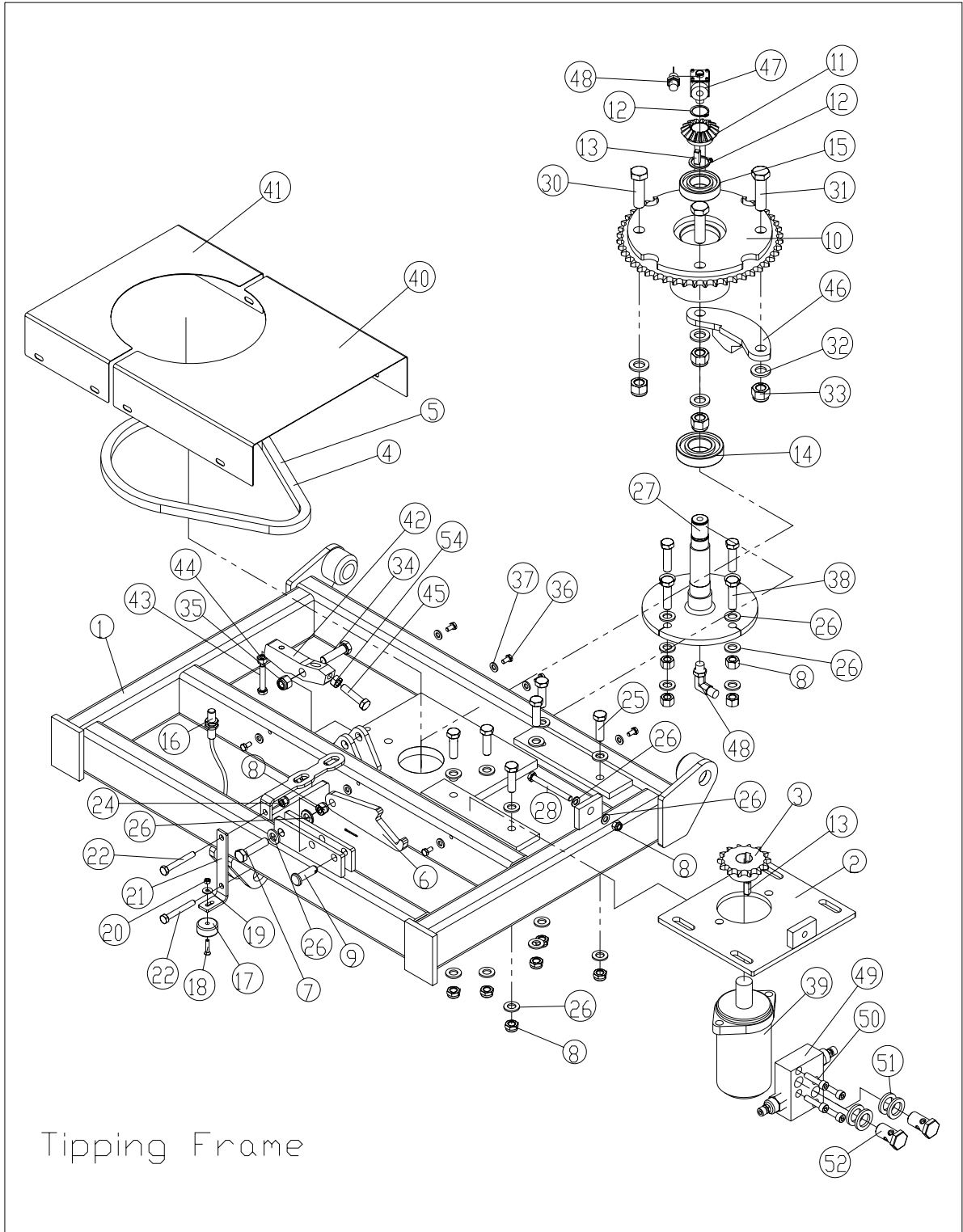


2.2. Loading arm Parts List

ITEM NO.	QTY.	PART NO.	DESCRIPTION
1	1	34611499	Loading Arm
2	1	34611498	Squeeze Arm
3	1	34611500	Bale stop
4	1	34110100	Bolt (M8 x 60)
5	1	34230400	Nut (M8)
6	2	1001201	Pivot Pin 404
7	3	34119057	Bolt (M10 x 16)
8	3	34302122	Washer (M10)
9	1	34001102	Pin Squeeze Arm
10	2	1305033	Split Pin (6,3 x 50)
11	1	34001102	Cylinder Squeeze Arm
12	1	34001482	Cylinder Loading Arm
13	2	34260110	Plastic Pipe Clamp
14	2	34260167	Pipe Clamp Top
15	2	34302121	Washer (M8)
16	2	34112700	Bolt (M8 x 30)

3. Tipping Frame

3.1. Exploded View





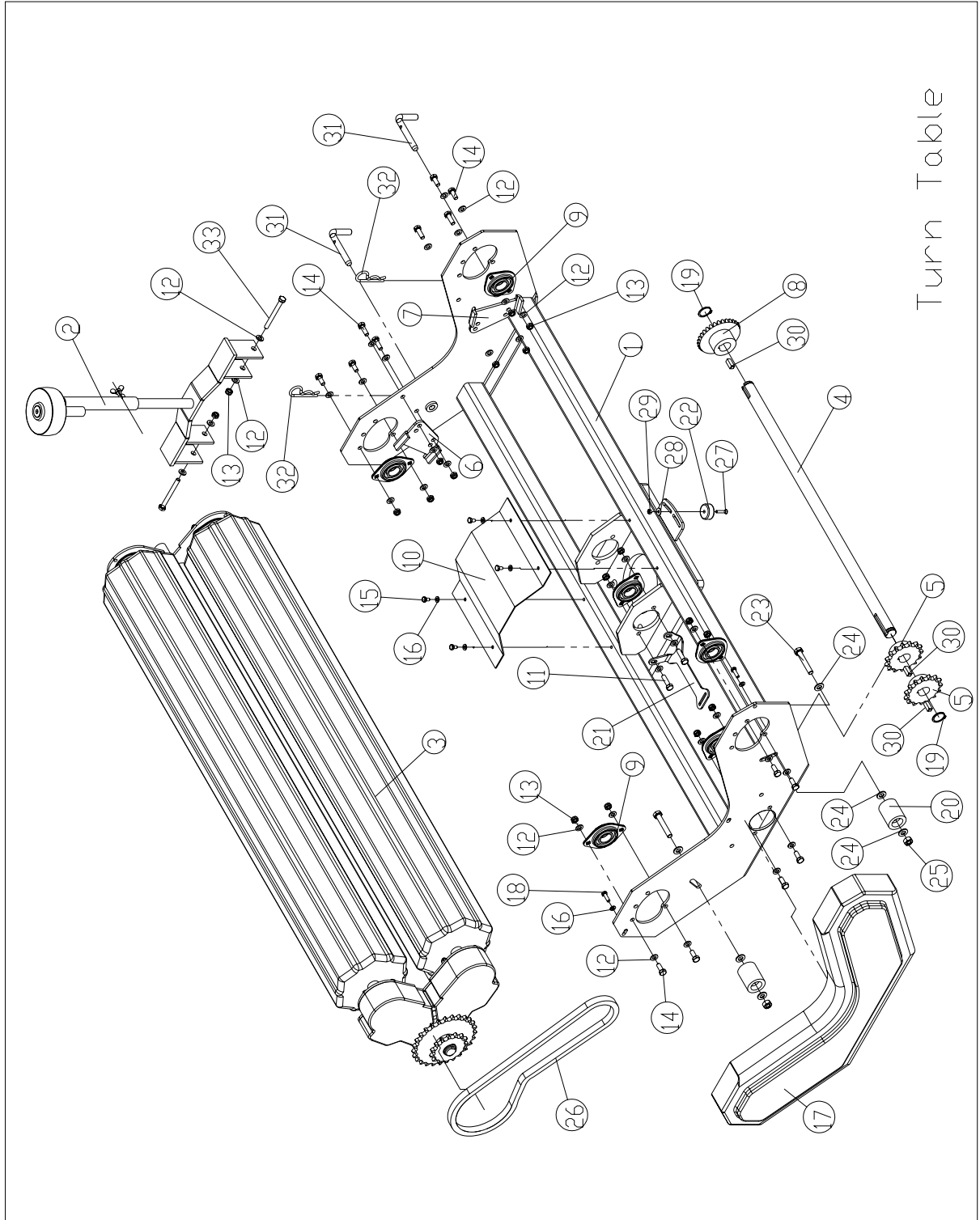
3.2. Tipping Frame Parts List

ITEM NO.	QTY.	PART NO.	DESCRIPTION
1	1	34611522	Tip Frame
2	1	3467164	Motor mounting plate
3	1	34810802	Chain Wheel (5/8" 14t dia 25)
4	1	34810304	Chain Lock (5/8")
5	1	34811247	Chain (5/8" 57 LED 920)
6	1	34491072	Transport Lock
7	1	3411027	Bolt (M12 x 50)
8	13	34231300	Nut, lock (M12)
9	1	34190001	Lynch Pin (9,5mm)
10	1	34710124	Centre Sprocket (5/8" 48t)
11	1	34830113	pinion Drive (2:1 M3)
12	2	34240708	Locking Ring (A30)
13	2	1003007	Key (8 x 8 x 23)
14	1	34320509	Track ball bearing (6207 2RS)
15	1	34320508	Track ball bearing (6206 2RS)
16	1	1009001	Sensor RDS
*16a	1	1009001	Sensor RDS
*17	1	1309201	Magnet
*18	1	9004151	Bolt (M5 x 25)
*19	1	9003002	Washer (M5)
*20	1	9001002	Nut (M5)
*21	1	1002101	Table down Magnet Mount
*22	2	9004311	Screw (M8 x 65)
*23	2	34230500	Nut (M8)
24	1	3422030900	Nut (M10)
25	6	34115800	Bolt (M12 x 40)
26	18	34302123	Washer (M12)
27	1	34130262	Turntable Spindle
28	1	34119000	Bolt (M10 x 70)
29	1	34061953	Albow 90deg adjustable
30	2	34118800	Bolt (M16 x 55)
31	2	34118400	Bolt (M16 x 70)
32	8	34302125	Washer (M16)
33	4	34232100	Nut, lock (M16)
34	1	34110078	Bolt (M14 x 60)
35	1	34231700	Nut, lock (M14)
36	8	34110092	Bolt (M6 x 12)
37	8	34302120	Washer (M6)
38	4	34110500	Bolt (M12 x 45)
39	1	34090124	Hydraulic Motor (160cm ³ .)
40	1	34851261	Cover Motor
41	1	34851258	Cover middle
42	1	34380529	Wedge
43	1	34110002	Bolt (M8 x 40)
44	1	34230500	Nut (M8)
45	1	9004408	Bolt (M10 x 45)
46	1	34670166	Turntable Stop
47	1	34770031	Hydr. Swivel - Rotary Coupling
48	1	34061803	Fitting (1/4" - 1/4")
49	1	34083900	Valve Block (VA-E06/E-2-FS, kpl. 99 -)
50	4	34119077	Bolt Socket Head (M8 x 35)
51	4	34041800	1/2" Dowty Washer
52	2	34061936	Fitting (1/2" BSP)

* - Indicates EH component only

4. Turn Table

4.1. Exploded View



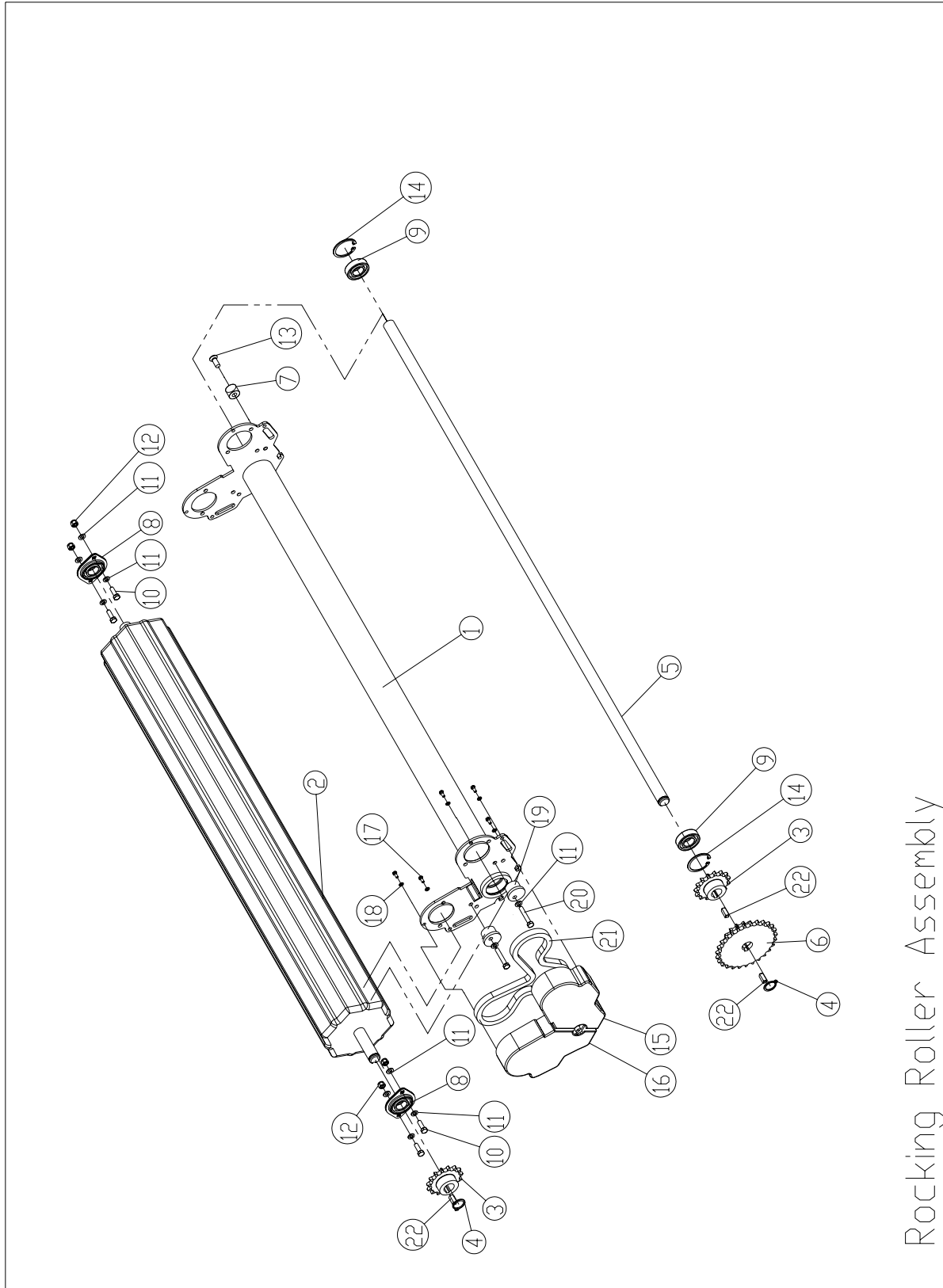


4.2. Turntable Parts List

ITEM NO.	QTY.	PART NO.	DESCRIPTION
1	1	34611477	Turntable frame
2	2	34340137	Support roller complete
3	2		Rocking Rollers Complete
4	1	34130254	Shaft
5	2	34810040	Sprocket - 1/2" - 15t
6	1	34702515	Limit stop plate, right
7	1	34702516	Limit stop plate, left
8	1	34710124	Bevel gear
9	6	34321243	Bearing Complete
10	1	34851262	Cover, center wheel
11	4	34112700	Bolt (M 8 x 30)
12	92	34302121	Washer (M 8)
13	46	34230500	Nut, lock (M 8)
14	26	34116900	Bolt (M 8 x 20)
15	12	34110092	Bolt (M6 x 10)
16	10	34302120	Washer (M6)
17	1	1003004	Large plastic cover 404
18	2	9004215	Bolt (M6 x 20)
19	2	1305017	Circlip (25 x 1,2)
20	2	34810848	Chain Tensioner
21	1	1003005	Load Posn. Magnet mount
22	2	1309201	Magnet
23	2	34110018	Bolt (M10 x 60)
24	6	34302122	Washer (M10)
25	2	342030900	Nut, lock (M10)
26	2	34811244	Chain (1/2" 55 LED 698,5)
27	2	9004151	Bolt (M5 x 25)
28	2	9003002	Washer (M5)
29	2	9001002	Nut (M5)
30	3	1003007	Key (8 x 8 x 23)
31	2	34105747	Bissel Pin
32	2	34200202	R-Clip (4,5mm)
33	2	34110007	Bolt (M8 x 80)

5. Rocking Roller assembly

5.1. Exploded View



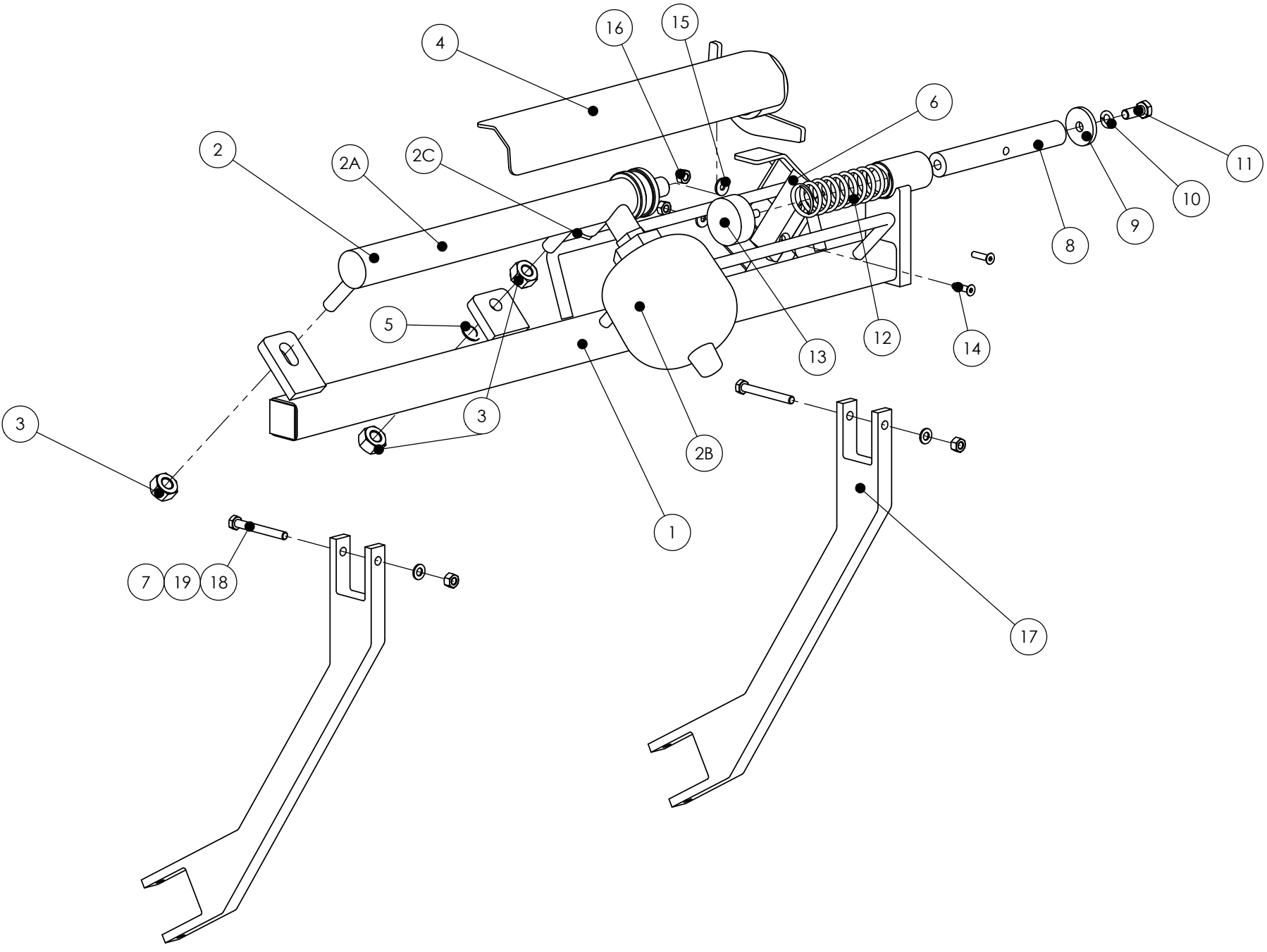
Rocking Roller Assembly



5.2. Parts List

ITEM NO.	QTY.	PART NO.	DESCRIPTION
1	2	34611476	Roller Frame
2	4	1003001	Plastic Roller 404
3	8	34810040	Sprocket - 1/2" - 15t
4	6	1305017	Circlip (25 x 1,2)
5	2	34130255	Support Shaft
6	2	34810045	Sprocket - 1/2" 19t
6a*	2	34810041	Sprocket - 1/2" - 27t/15t
7	2	34702514	Limit Stop Block
8	8	34321243	Bearing complete
9	4	34321243	Bearing
10	26	34116900	Bolt (M8 x 20)
11	92	34302121	Washer (M8)
12	46	34230500	Nut, lock (M8)
13	2	34110003	Bolt (M8 x 45)
14	4	34240728	Circlip Inside (I52)
15	2	1003002	Small Plastic Cover RHS
16	2	1003003	Small Plastic Cover LHS
17	12	9004215	Bolt (M6 x 20)
18	12	34302120	Washer (M6)
19	4	34810847	Chain Tensioner
20	4	9004308	Bolt (M8 x 50)
21	2	34811245	Chain (1/2" 61 LED 774,7)
22	6	1003007	Key (8 x 8 x 23)
*optional			

404 Cut & Start



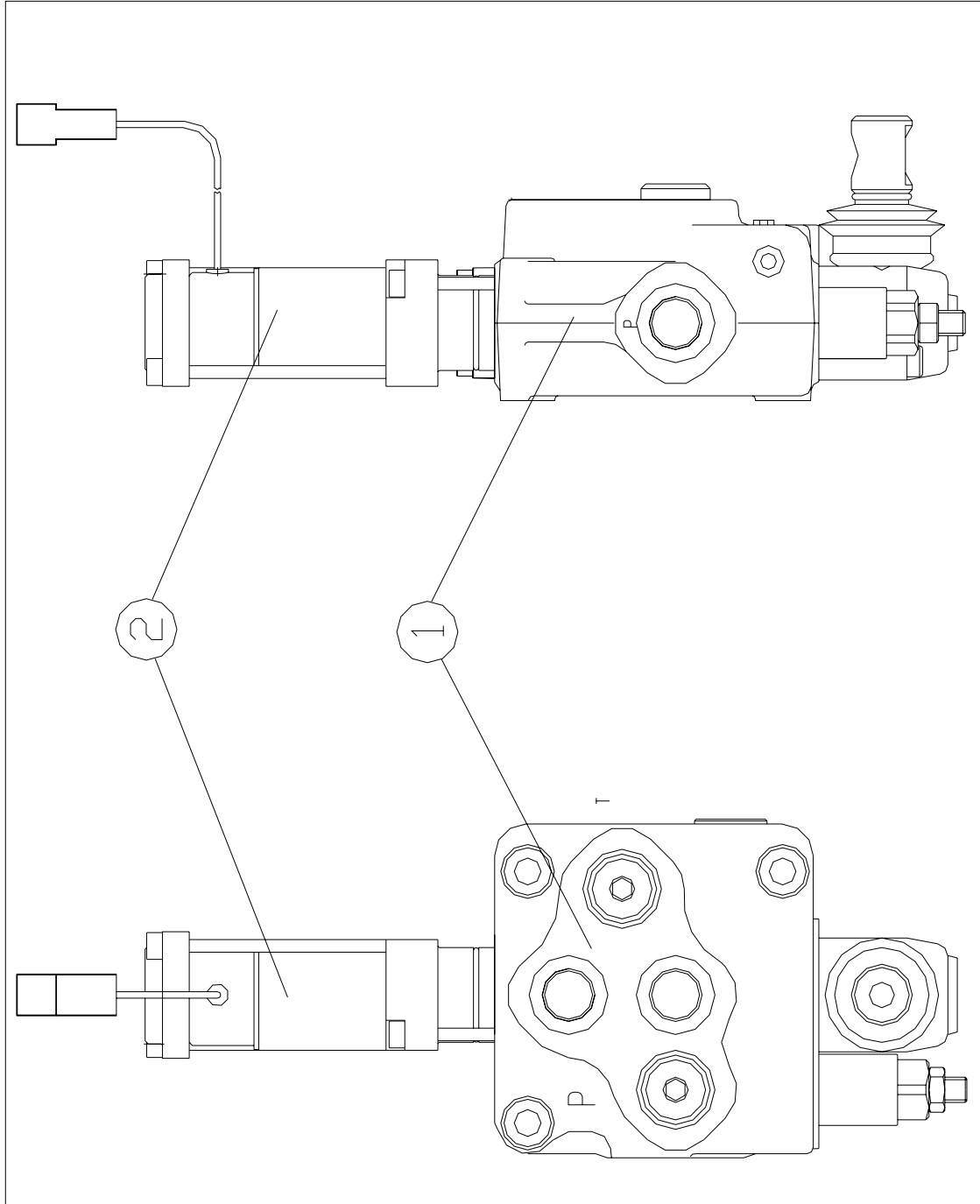


6.2. Part List

ITEM NO.	PART NUMBER	DESCRIPTION	QTY.
1	1004004	404 C&S Mainframe	1
2	Z01-01-AWH9	Cut & Start ram c/w Accumulator	1
	Z01-AWH	Seal Kit	1
2A	Z01-01-AWH9C	Hydraulic Ram for Cut & Start	1
2B	Z01-01-AWDA	Accumulator for Cut & Start Ram	1
2C	WD605-104	Charging Check Valve for Cut & Start Ram	1
3	Z18-14	M14 Hex Nut	3
4	1004005	Cut & Start Cover Assy.	1
5	Z12-02-14	14mm Spring Washer	1
6	WD605-104	Cut & Start Blade	1
7	Z23-08	Nut M8	2
8	WD605H-13	Gripper Plunger	1
9	WD623-071	Retaining Collar	1
10	Z12-02-10	10mm Dia Spring Washer	1
11	Z26-0611S	M10 x 25mm Hex Bolt	1
12	Z07-49	Spring	1
13	Z40-28	Rubber Buffer	1
14	Z13-131	M6 x 25mm CTSK Screw	2
15	Z11-02-061	M6 Mud Washer	2
16	Z23-06	M6 Locknut	2
17	1004001	Cut & Start Mounting Arm	2
18	Z26-049B	M8 x 70mm Hex Bolt	2
19	Z10-02-08	Washer M8	2

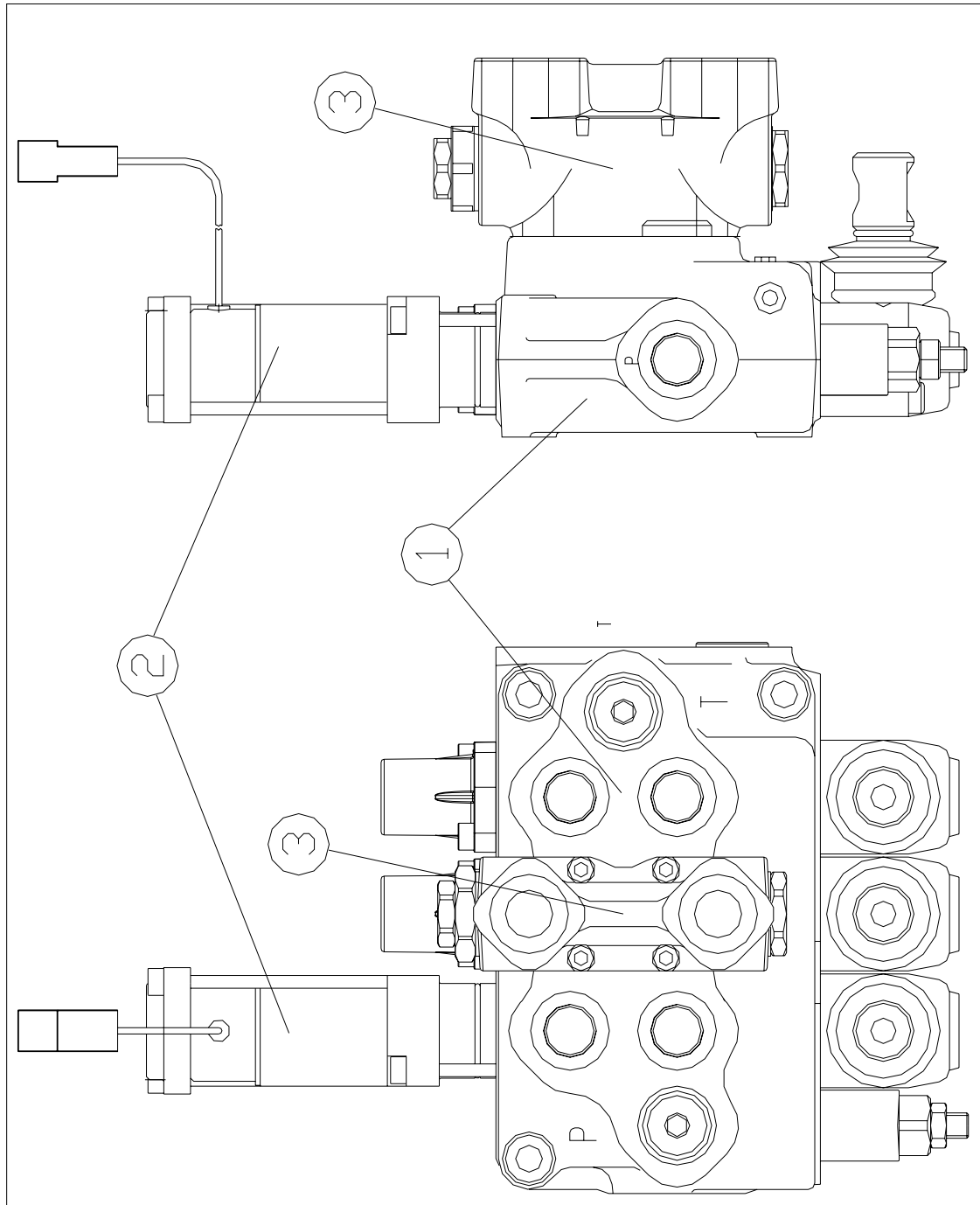
7. Hydraulic Valve 404

7.1. 404S



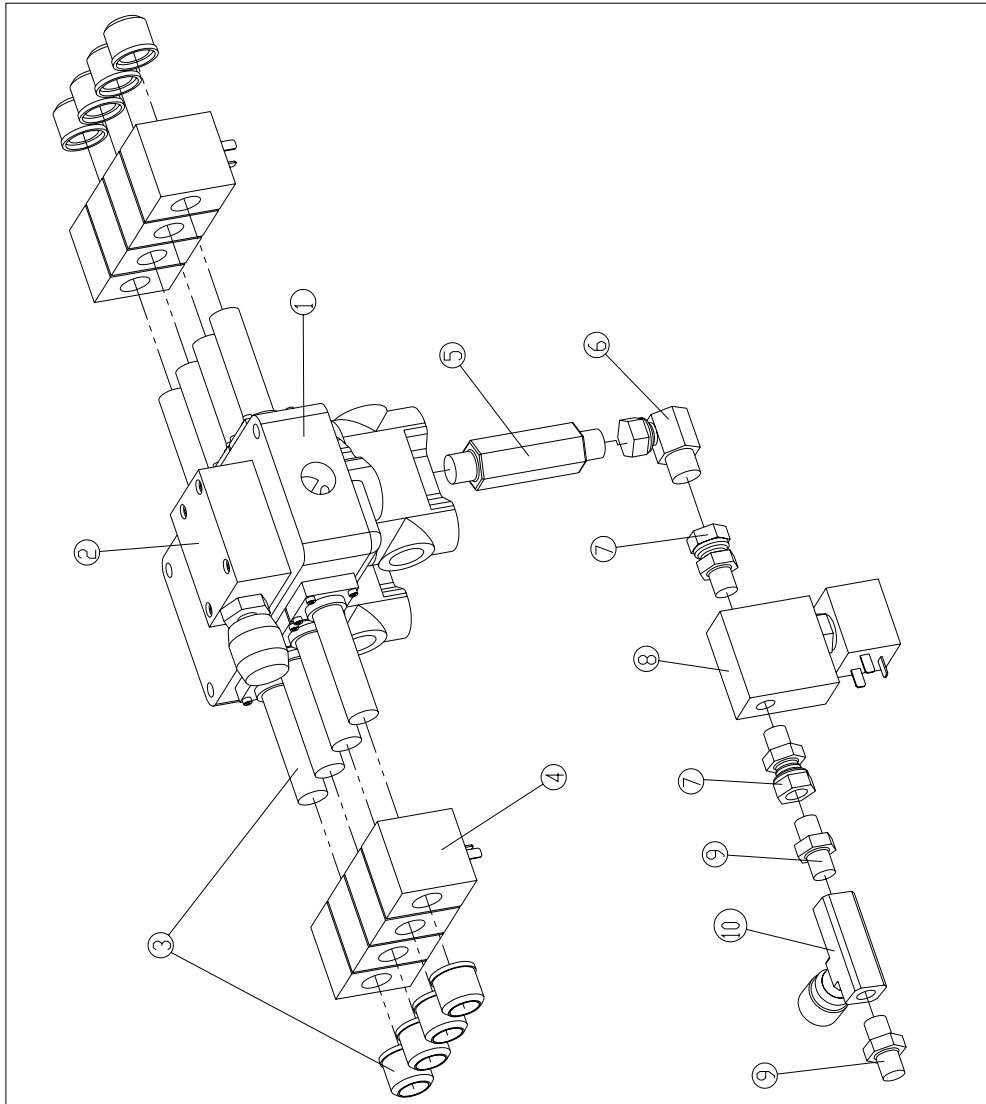
ITEM NO.	QTY.	PART NO.	DESCRIPTION
1	1	1008001	Single Bank 50S Valve compl.
2	1	1008002	Autostop Kit

7.2. 404M



ITEM NO.	QTY.	PART NO.	DESCRIPTION
1	1	1008400	3 Bank SD 5 valve compl.
2	1	1008401	Check Valve compl.
3	1	1008002	Autostop Kit

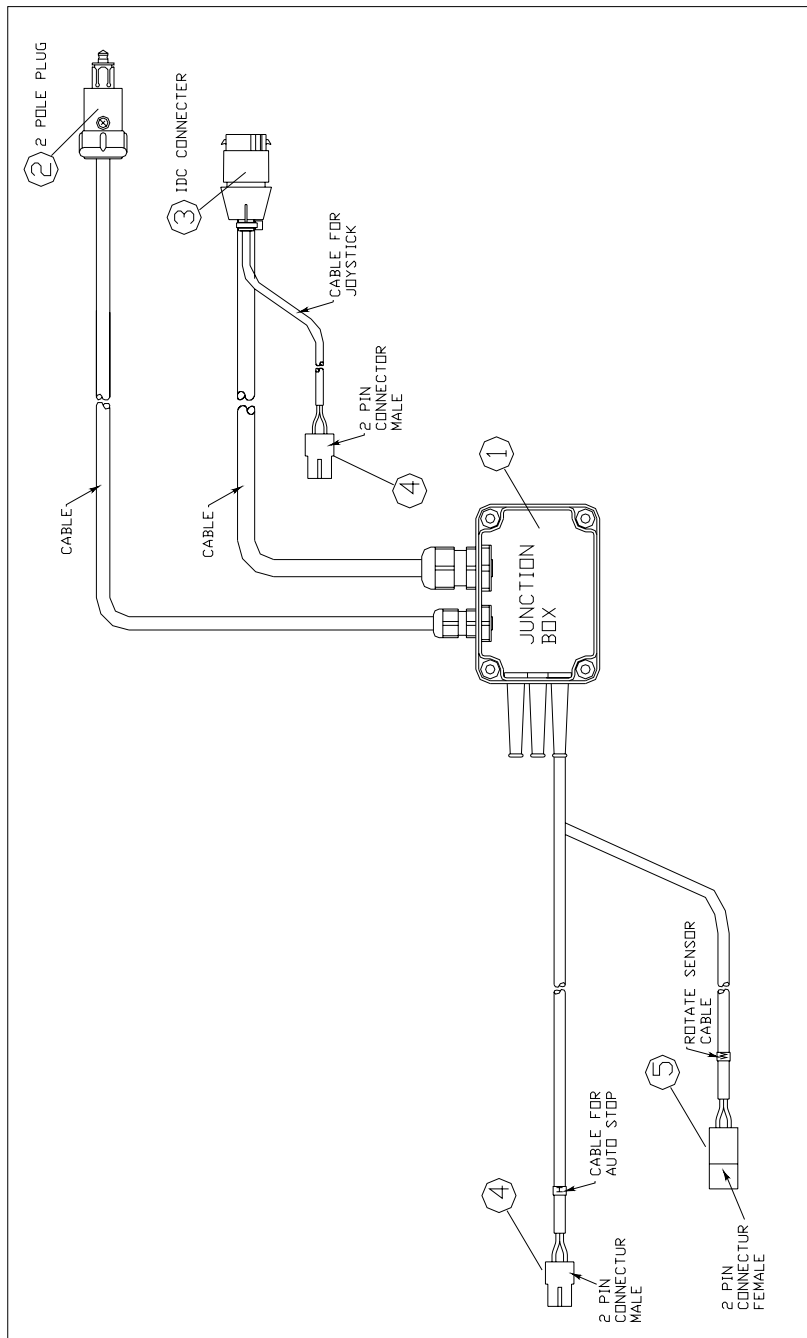
7.3. 404EH



ITEM NO.	QTY.	PART NO.	DESCRIPTION
	1	0103-A404EH	Complete Valve
1	1	0103-A404EH	Valve Body- empty
2	1	Z10-03-AC	Flow regulator Valve
3	8	Z01-03-A404VS	Spool
4	8	Z01-03-A404VC	Coil
5	1	Z01-06-06L	Long body Adapter (3/8" - 3/8" M/M)
6	1	Z01-14015	90deg Elbow (M/F 3/8"-3/8")
7	1	Z01-05-06-06	Fitting (3/8" - 3/8" M/F)
8	1	34087513	2-Speed Valve
9	2	Z01-06-06-06	Fitting (3/8" - 3/8" M/M)
10	1	Z01-03-1046	Flow control regulator

8. Junction box

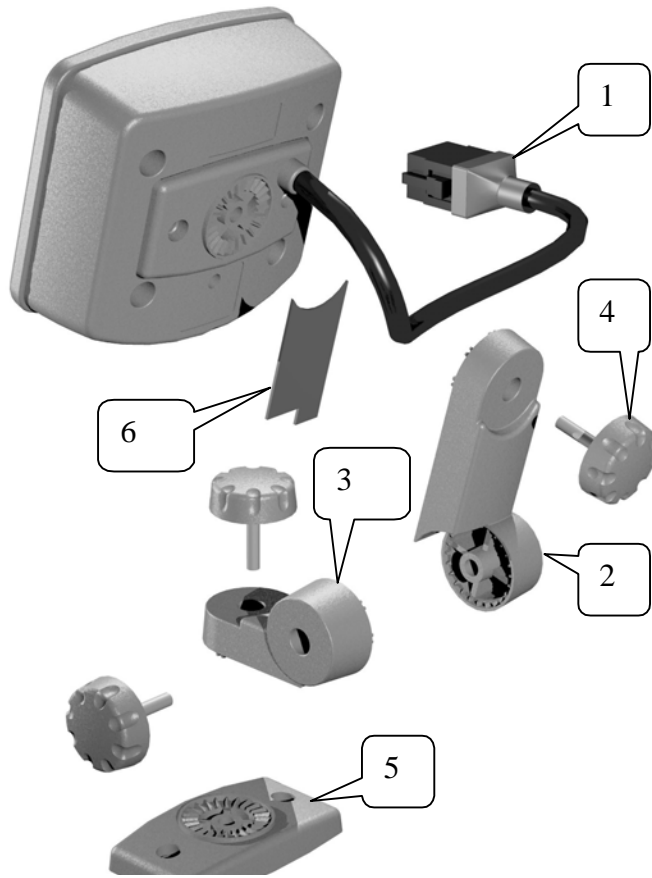
8.1. 404S/M



ITEM NO.	QTY.	PART NO.	DESCRIPTION
1	1	1009207	Junction Box Complete
2	1	D606R-PC	Power Connector
3	1	1009209	Connector(Square) Socket
4	2	1309010	2 Pin Connector Male
5	2	1309009	2 Pin Connector Female

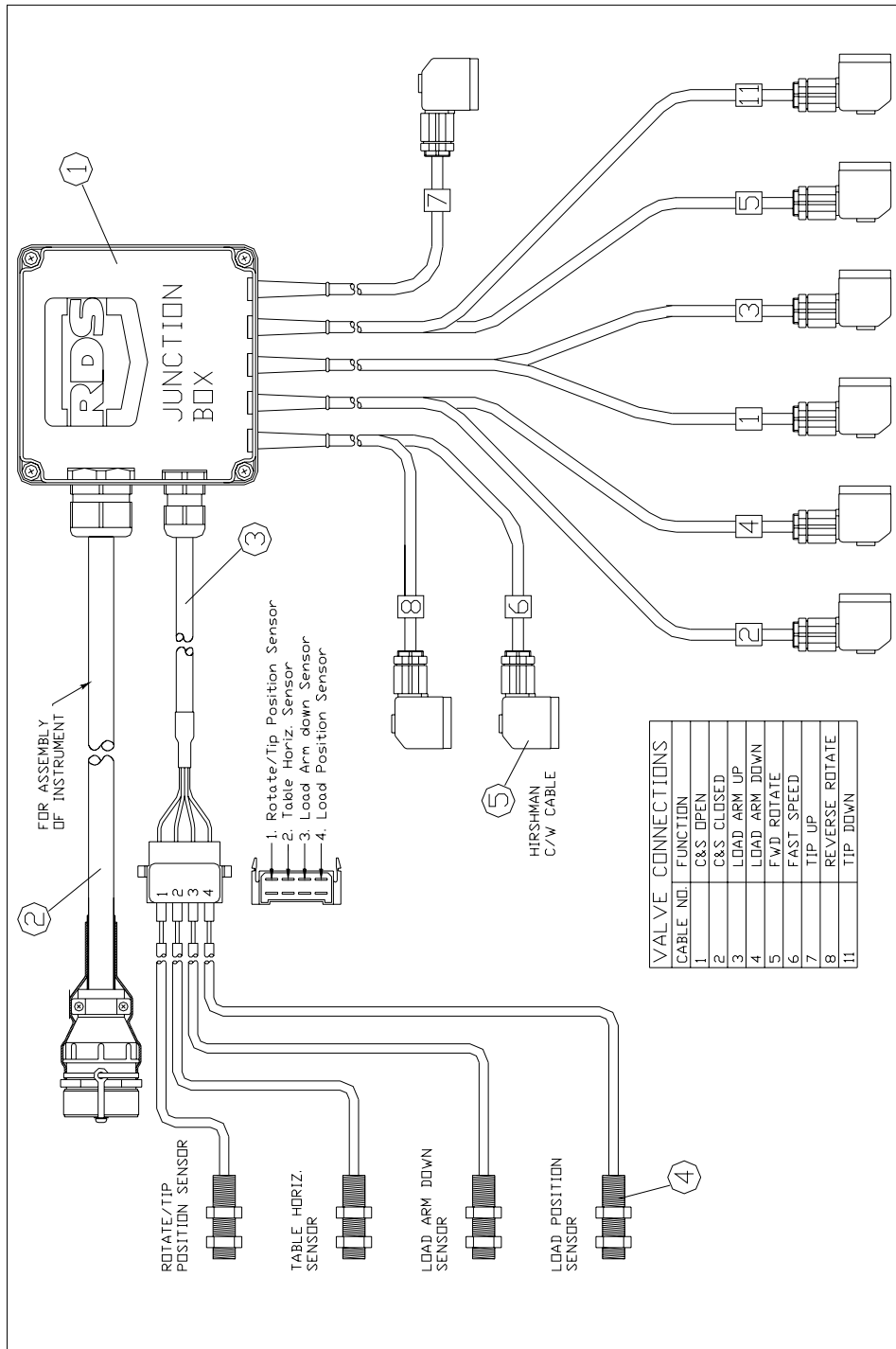


404 M / S -RDS Bale Wrap Counter



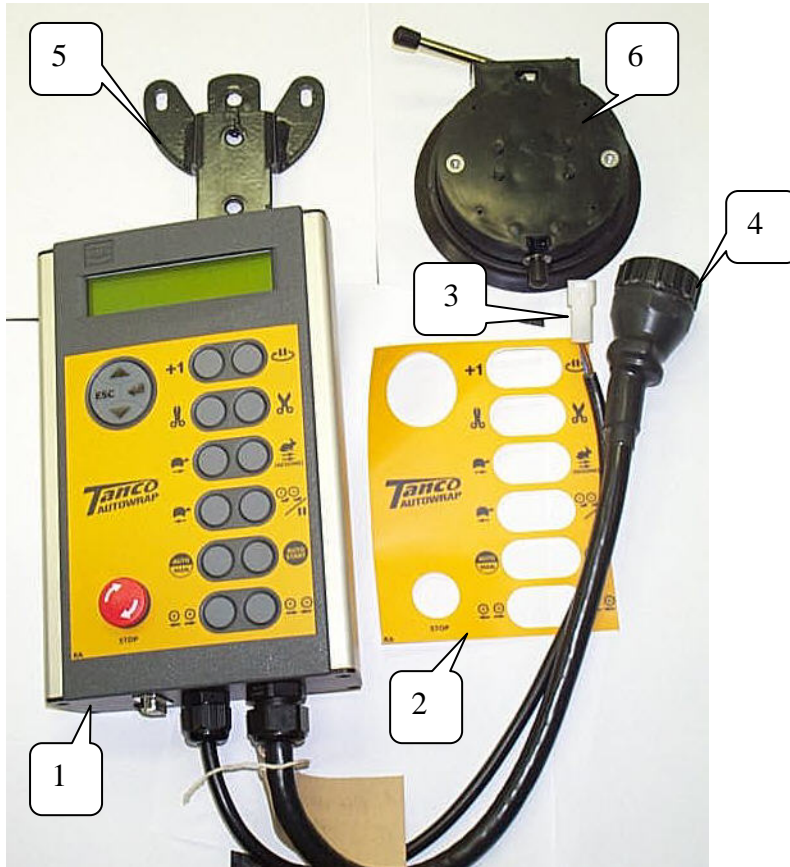
Item	Part No.	Qty.	Description
	1009200		RDS BWC
1	1009201	1	Square MultiPin Male Plug
2	1009007	1	BWC mounting brackets
3	1009007	1	BWC mounting brackets
4	1009007	1	BWC mounting brackets
5	1009007	1	BWC mounting brackets
6	1009007	1	BWC mounting brackets

8.2. 404EH



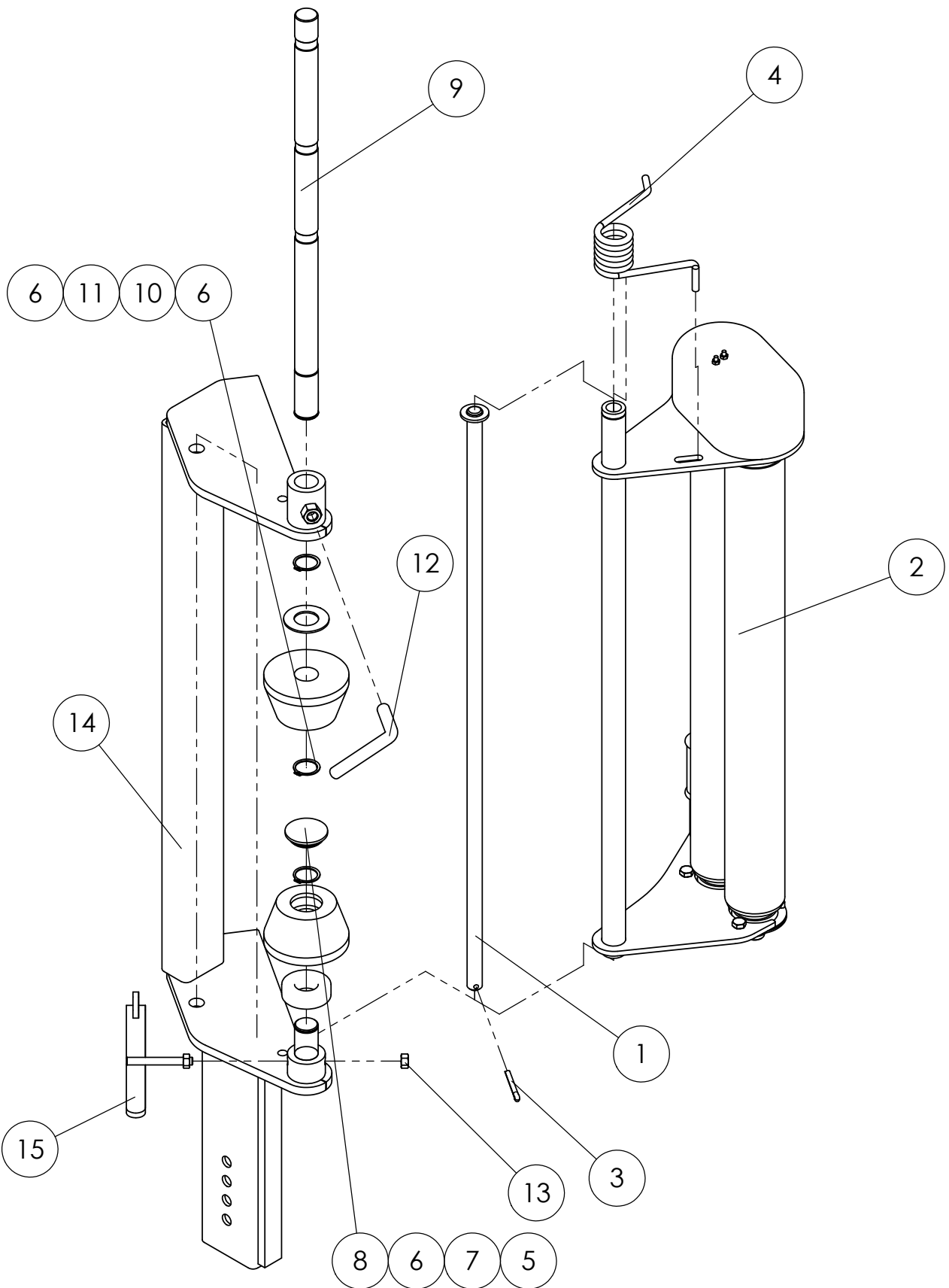
ITEM NO.	QTY.	PART NO.	DESCRIPTION
1	1	1009001	Junction Box Complete
2	1	1309003	Communication Cable
3	1	1009003	Sensor Cable (8 core)
4	4	1009002	Sensor (3 m)
5	9	1309005	Hirschmann, c/w Cable, screw & gland

7.2. EH Controller



ITEM	PART NO.	QUANTITY	DESCRIPTION
1	1209002	1	TW Control Unit
2	1209001		TW Faceplate RDS
3	1309009	1	2 pin connector Female + 2 spade pins
4	1309008	1	24 pin socket
5	1309009	1	Controller mounting bracket EH
6	1309012	1	Controller suction cup
	1309007		Battery Cable (3m)
	1309010		2 pin connector male + 2 female pins

404 Dispenser

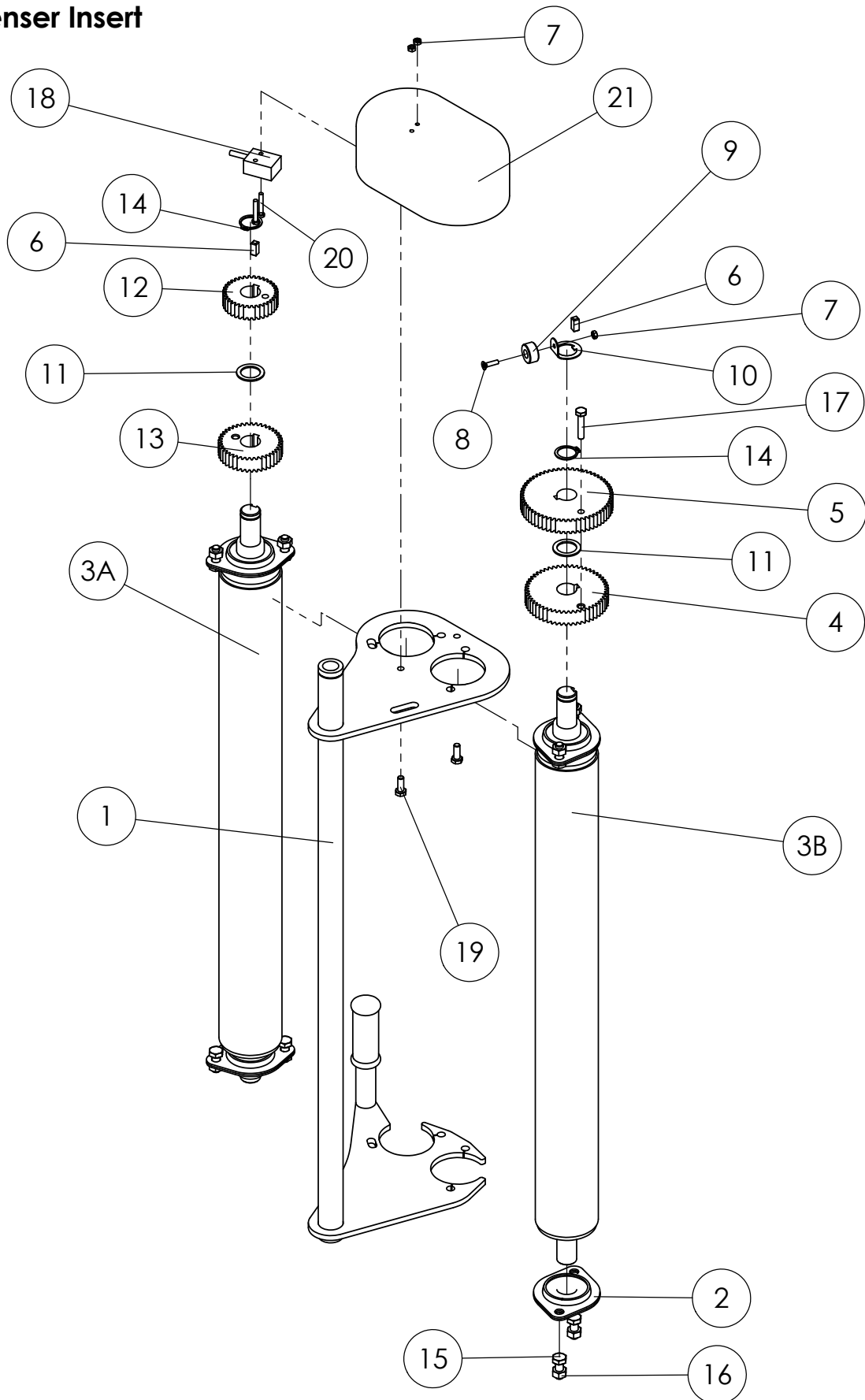




9.2 404 Dispenser Exploded view

ITEM NO.	PART NUMBER	DESCRIPTION	QTY.
1	1305010	Dispenser Insert Latch	1
2	1005002	Dispenser Insert Swivel Pin	1
3	1005500	Dispenser Insert	1
4	Z03-21-14	1 1/2x3 1/16" Split Pin	1
5	1305034	Torsion Spring	1
6	1305015	Bearing	1
7	1305017	Circlip (25x1.2)	3
8	1305016	Bottom Cone	1
9	1305018	Guiding Sleeve Cap	1
10	1005005	Top Shaft	1
11	1305019	Upper Cone	1
12	1305020	25mm Washer	1
13	1005003	M 12 Locking Handle	1
14	Z23-08	M8 LockNut	1
15	1005004	404 Dispenser Frame	1

404 Dispenser Insert





9.4 Dispenser insert parts list

ITEM NO.	PART NUMBER	DESCRIPTION	QTY.
1	1005000	404 Dispenser Insert Frame	1
2	1305122	Bearing Complete	2
3A	1005502	404 Alu Roller Outer	2
3B	1005501	404 Alu Roller Inner	1
4	1305105	54 T Gear	1
5	1305101	60 T Gear	1
6	1305123	6x6x15mm Key	2
11	1305115	Copper washer between Gears	2
12	1305102	35 T Gear	1
13	1305106	41 T Gear	1
14	1305124	20mm External Circlip	1
15	Z26-039S	M8 x 20mm Hex Bolt	2
16	Z23-08	M8 Nut	8
17	Z26-0225	M6x30mm Hex Bolt	1
21	1305125	Dispenser Gearbox Cover	2