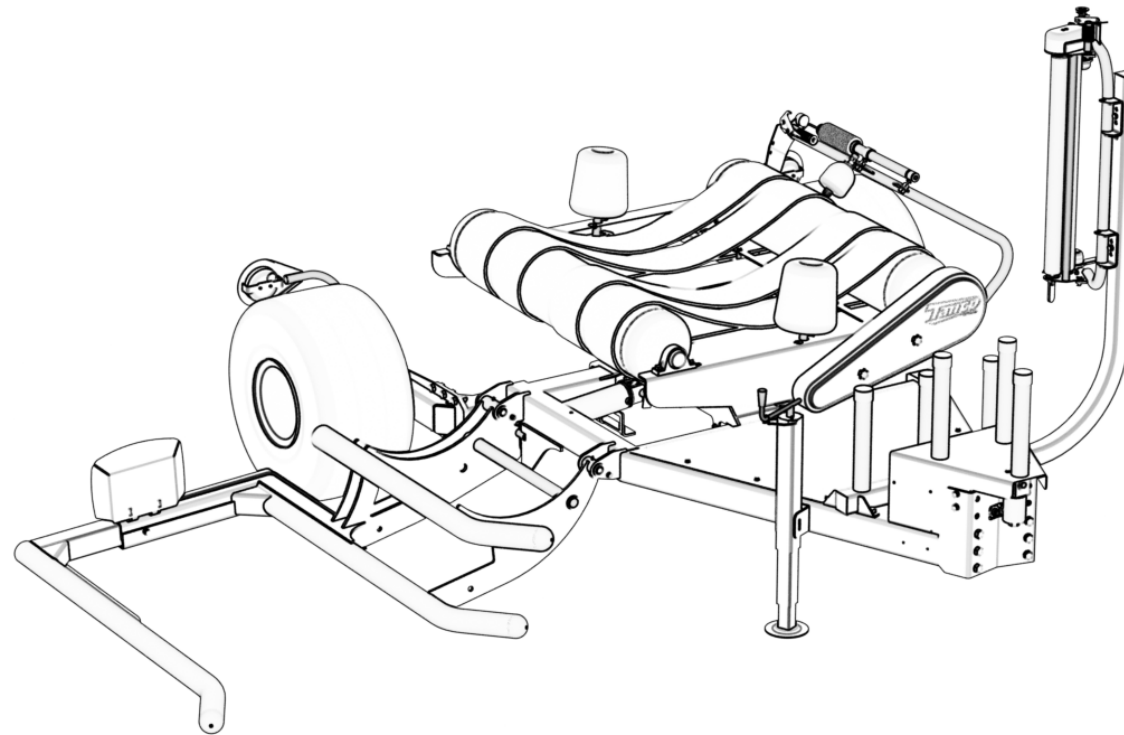


# A100 EH Autowrap



## Operator's Handbook

## TABLE OF CONTENTS

Chapter	Contents	Page
1	SAFETY DECALS	2
2	INTRODUCTION	3
3	TECHNICAL SPECIFICATIONS	5
4	SAFETY PRECAUTIONS	7
5	BALE WRAPPING	12
6	MACHINE SETUP	14
7	CONTROLLER INFORMATION	20
8	ELECTRO-HYDRAULICS	27
9	TROUBLESHOOTING	30
10	MAINTENANCE	33
11	GUARANTEE	35
12	DECLARATION OF CONFORMITY	36

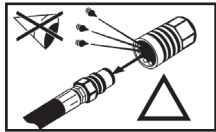
The following safety decals have been placed on your machine in the areas indicated. They are intended for your personal safety and for the safety of the other people working with you. Walk around your machine and note the content and locations of these warning signs. Review these decals and the operating instructions in the manual with your machine operators. Ensure that these decals are always legible. If they are not, replace them.



1. Read the operator's manual carefully



2. Stand clear of the machine when in operation



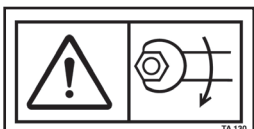
3. Hoses are under pressure at all times



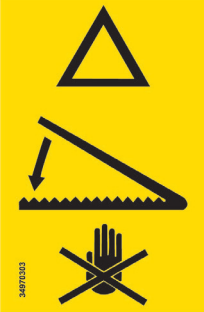
4. Do not exceed Turntable speed of 30 R.P.M



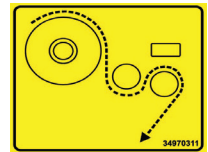
5. Read the operator's manual for correct operation



6. Ensure that nuts are kept tight at all times



7. Danger keep hands clear of sharp blades



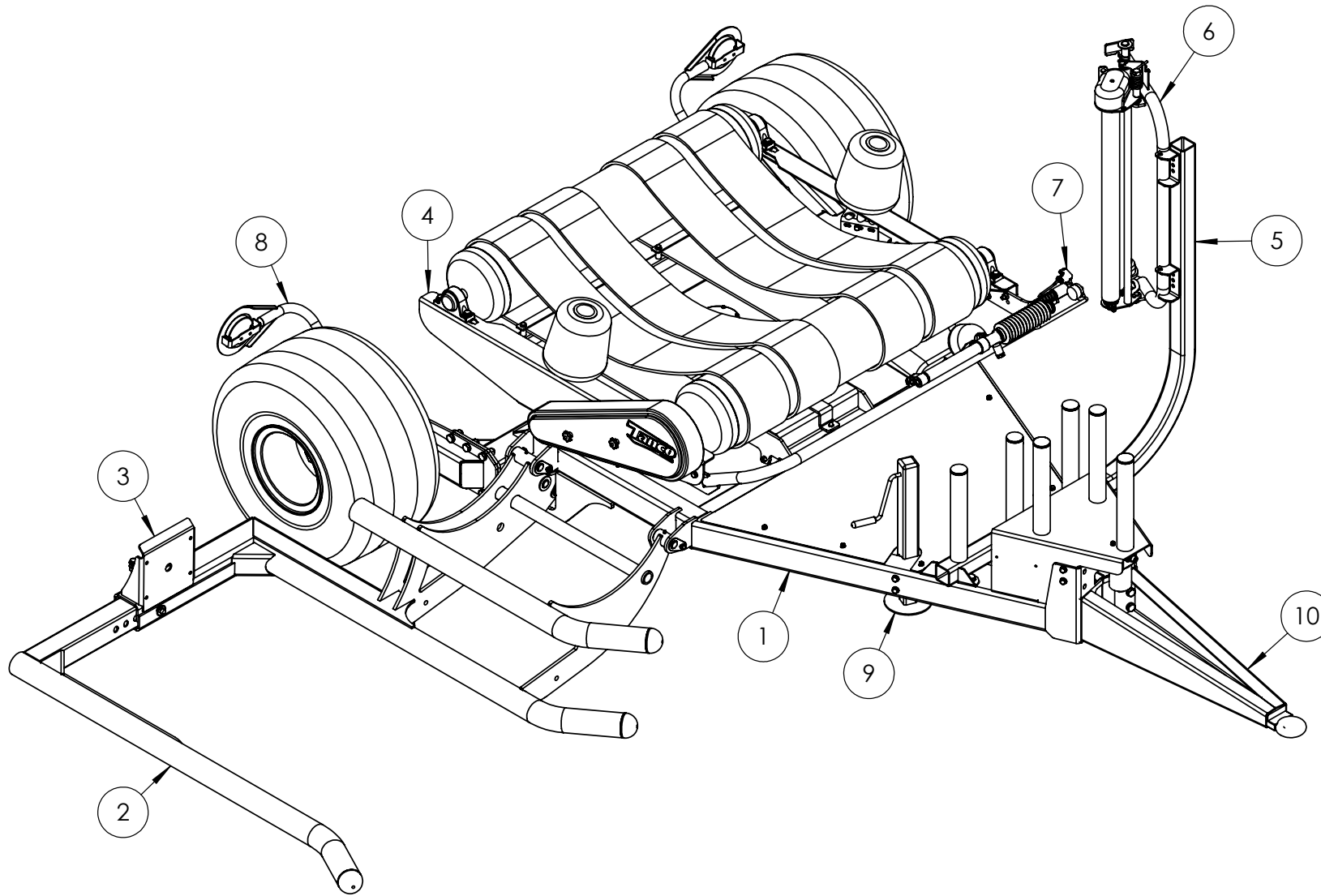
8. Application of Film to Pre-stretcher



Tanco Autowrap Ltd congratulates you on your choice of the TANCO AUTOWRAP A100 EH bale wrapping machine. We are certain you will be satisfied with the machine, and that you will have the pleasure of your investment for many years.

This manual is meant to explain how TANCO AUTOWRAP A100 EH is setup, attached to tractor, used and how it works, and shall together with the spare part's list be a reference for maintenance and troubleshooting. So take good care of this book; it is a part of the machine.

Read carefully through this manual, and especially the safety instructions, before starting the machine. Follow the instructions thoroughly, if problems should occur, check the troubleshooting guide to try to establish the problem. Ask your dealer for advice before you attempt anything that may make the problem worse.



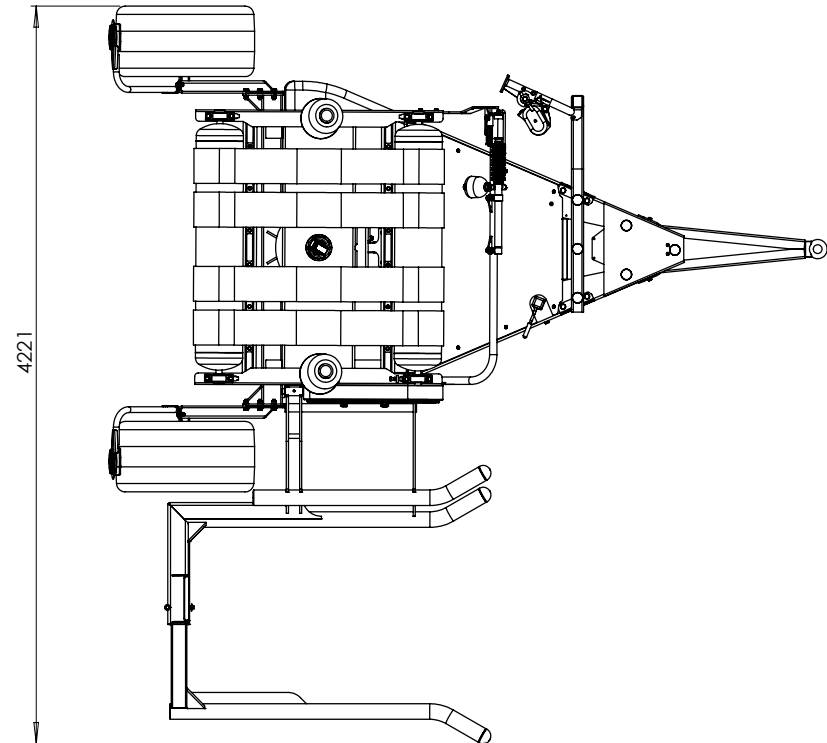
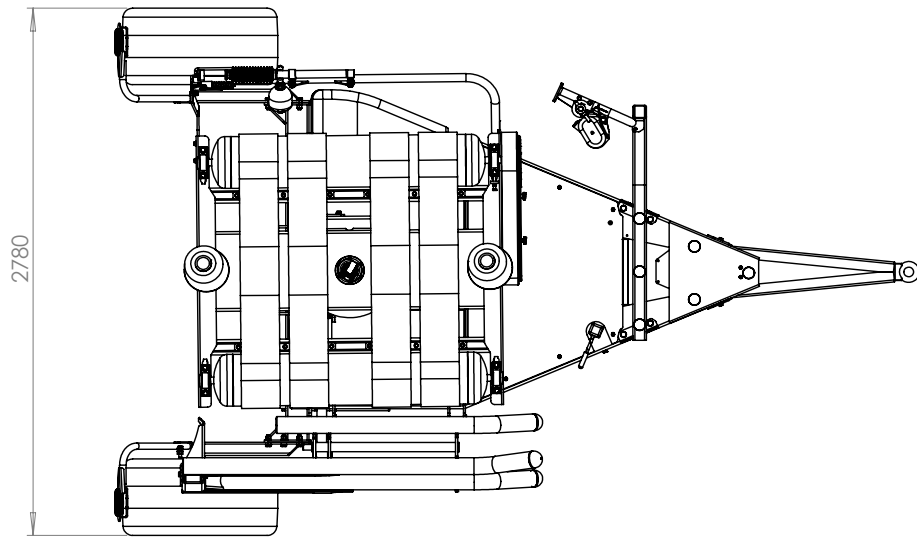
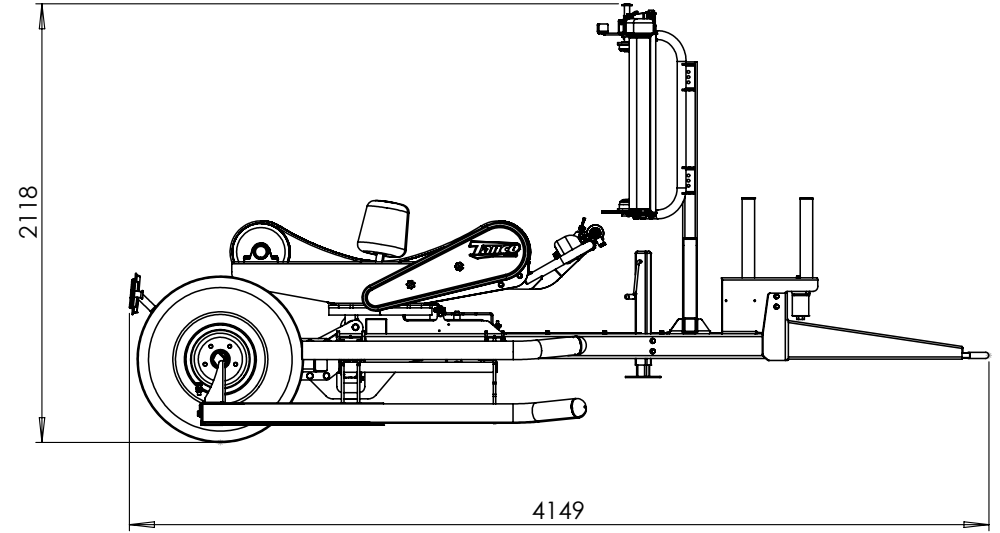
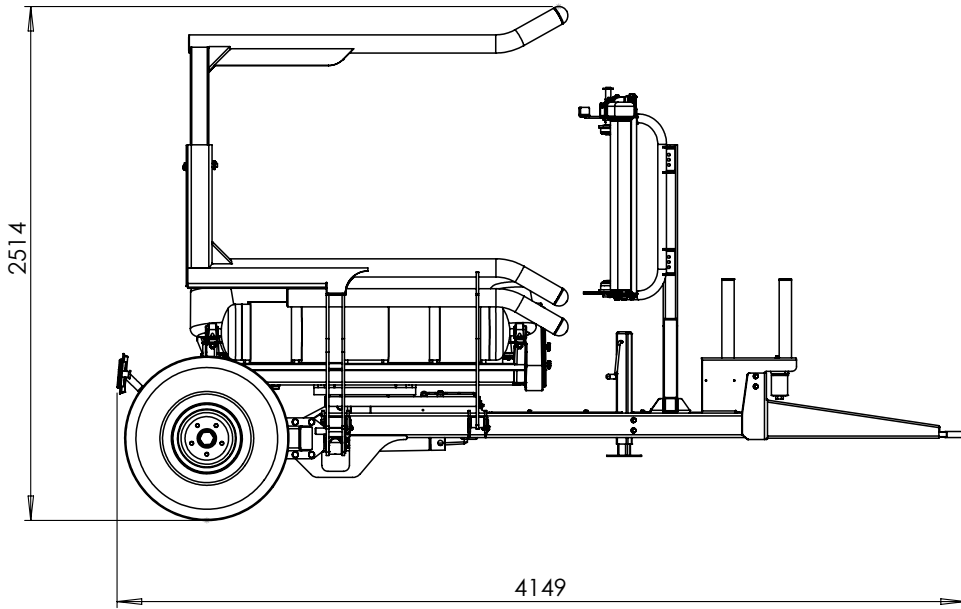
Item No.	Description
1	Chassis
2	Load Arm
3	Bale Stop
4	Turntable
5	Dispenser Mounting Frame
6	Dispenser
7	Cut & Start
8	Lights
9	Jack
10	Hitch

Technical Specifications	A100 EHAutowrap
Height	2410 mm
Width	2760 mm
Length	4100mm
Weight	1460 Kgs
Wrapping Table Speed (Recommended)	28 R.P.M
Wrapping Table Speed (max)	30 R.P.M.
Maximum Bale Diameter	1500mm
Maximum Bale Weight	1200 kg
Pre-Stretcher(s)	1 x 750mm Width; 55 & 70% Stretch
Hydraulic Connection	2 x 1/2" m.c.
Oil Pressure	150 bar
Oil Amount	25 lts/min
Maximum Counter Pressure	10 bar
Electrical Connection	12 V DC

Optional Equipment

Dispenser Gears 33%

Endtip Kit



## GENERAL SAFETY RECOMMENDATIONS

### Basic Principles

Before operating the machine, always ensure that the tractor and machine meet with work safety and road traffic regulations.

1. In addition to recommendations given in this manual, legislation on work safety and accident prevention must also be respected.
2. Advice is indicated on the machine, specifying safety recommendations in order to prevent accidents.
3. Before travelling on public roads, the operator must ensure that the machine conforms to road traffic regulations.
4. Before starting work, the operator must be familiar with all the machine controls, handing devices and their functions. Once at work, it is too late to do this!
5. Do not wear loose clothing, which could become caught up in moving elements.
6. The tractor should be equipped with a safety cab.
7. Before starting up the machine and begin work, check the surrounding area (beware of children!). Make sure there is sufficient visibility.  
keep all people and animals away from the danger zone of the machine (risk of protection!!).
8. Carrying people or animals on the machine when working or transport is strictly forbidden.
9. Machine must only be attached to tractor using means provided and in accordance with current Safety standards.
10. Special care should be taken when attaching or removing the machine from the tractor.
11. Before transporting the machine on public roads, ensure that all legally required guards and indicators (lights, reflectors...) are in place and in good operations.
12. All operating controls (cords, cables, rods etc.) must be positioned so that they cannot be set off accidentally, risking accident or damage.
13. Before travelling on public roads, put the machine into it transport position as instructed in this operator's manual.
14. Never leave the tractor seat while the machine is operating.
15. Drive speed must be adapted to ground conditions as well as to roads and path. Always avoid abrupt changes of directions.

16. Before operating the machine, ensure that all safety guards are firmly in place and in good condition. If worn or damaged, replace immediately.
17. Before operating the machine, check the tightness of all nuts and bolts, particularly on fixing elements (blades tines, knives, spades etc.).
18. Keep clear of the machine operating area.
19. Warning! Danger of crushing and shearing can exist when components are operated by hydraulic or pneumatic controls.
20. Before leaving the tractor or before adjusting, maintaining or repairing the machine, turn off the engine, remove the ignition key and wait until all moving parts have come to a complete stop.
21. Do not stand between the tractor and the machine unless the hand break is tight and/or stops have been placed under the wheels.
22. Before any adjustments, maintenance or repairs are carried out, ensure that the machine cannot be started up accidentally.

#### Attaching Implements to Tractor

1. When attaching or removing the machine from the tractor, position hydraulic lift control lever in such a way that it cannot be set off accidentally.
2. When attaching the machine to the tractor hydraulic linkage, ensure that diameter of the link pins corresponds to the diameter of the ball joints.
3. Warning! Danger of crushing and shearing can exist in the lifting zone of the tractor hydraulic linkage!
4. Do not stand between the tractor and the machine when operating the outer lever of the lift mechanism.
5. In transport, the machine lift mechanism should be stabilized by the tractor tie rods, to avoid flotation and side shifting.
6. When transporting the machine, lock the hydraulic lift control lever in place so that it cannot be lowered accidentally.

#### Hydraulic Systems

1. Warning! Hydraulic system is under pressure.
2. When fitting hydraulic motors or cylinders, ensure that connections have been made correctly, as per manufactures instructions.
3. Before connecting hoses to the tractor hydraulics, ensure that tractor and machine circuits are not under pressure.



4. It is strongly recommended that the operator marks the hydraulic connections between tractor and machine to avoid making a wrong connection.  
Warning! Functions could be reversed (For example: lift/lower)
5. Check hydraulic hoses regularly! Worn or damaged hoses must be replaced immediately. Replacement parts must be in accordance with the manufactures recommendations concerning specifications and quality.
6. Should a leak be found, take all necessary precautions to avoid accidents.
7. Any liquid under pressure (particularly oil from hydraulics) can be penetrate the skin and cause severe injury. If injured, see a doctor immediately, there could be a danger of infection.
8. Before any adjustments, maintenance or repairs are carried out, lower the machine, depressurize the circuit, turn off the engine and remove the ignition key.

#### Safe Maintenance

1. Before checking for any machine malfunction and before adjusting, maintaining or repairing the machine turn off engine and remove ignition key.
2. Check tightness of nuts and bolts regularly. Retighten if necessary.
3. If the machine is raised, prop it up in a stable position before carrying out any maintenance work
4. When replacing a work part, wear protective gloves and use only standardized tools.
5. It is forbidden to discard any oil, grease or filters. These must be given to waste disposal organizations to protect the environment.
6. Disconnect power source before any work is done to the electric system.
7. Check safety guards regularly, particularly those that are subject to wear. Replace immediately if damaged.
8. Spare parts used must be in accordance with specifications and standards as defined by the manufacturer. Use only genuine TANCO parts.
9. Before any electric welding is carried out on tractor or attached machine, disconnect generator and battery terminals.
10. Repairs on elements under pressure or tension (spring, accumulators etc.), must only be carried out by competent persons with standardised equipment.

### Special Safety Instructions

1. Stop engine of the tractor before working on machine.
2. Use the Safety Bar (1) to prop up the Tip Frame (2) before attempting to carry out work in this area. (See Fig 1.1)
3. During machine operation the Safety Pin (1) is fitted to the Load Arm (2) as shown in Fig 1.2
3. During transport the Safety Pin (2) must be fitted the opposite way as shown in Fig 1.3
4. Always raise lift Arm and fit Safety pin before transporting machine on public roads.
5. Lift Arms should always be lowered before operating turntable.
6. Ensure platform rollers are parallel to Lift Arm before arm is raised.

Fig 4.1 Propping Tip Frame

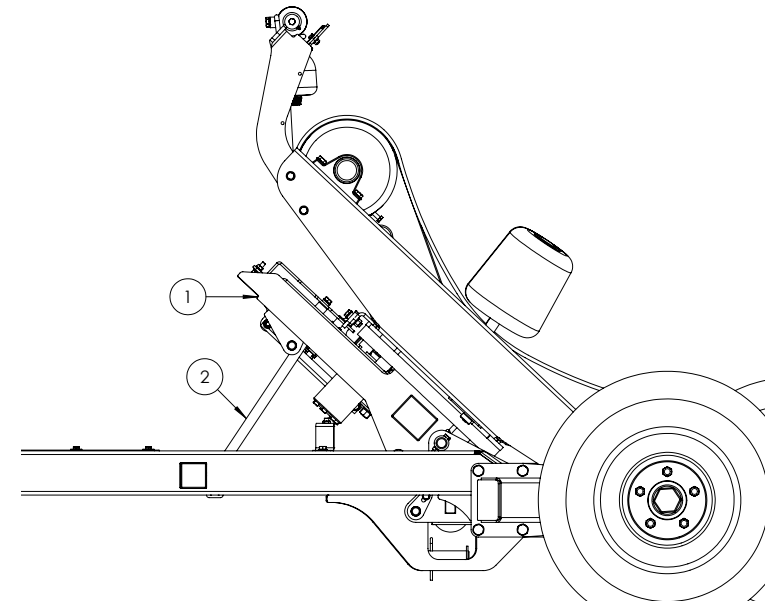


Fig 4.2 Loading Arm Safety Pin; Work Position

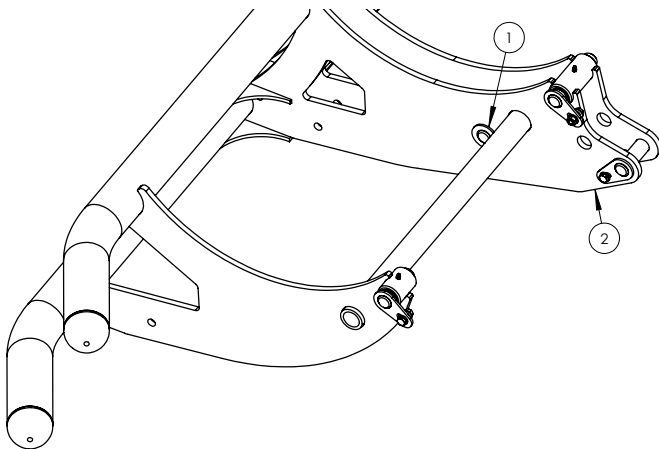
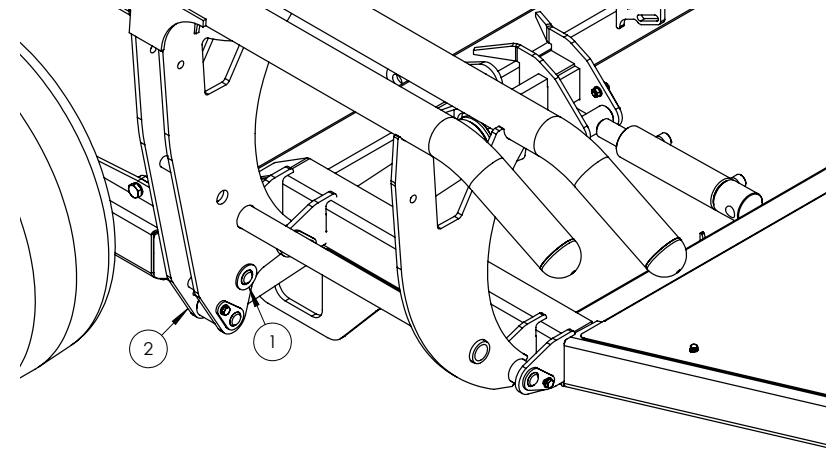


Fig 4.3 Loading Arm Safety Pin; Transport Position



### Operating Safety Instructions

1. Operators should have their hands on the controls at all times when the machine is in use.
2. Autowrap control unit and level controls must remain in the tractor cap at all times. The operator must at no time leave the tractor cab when the machine is in motion.
3. Keep onlookers clear of machine at all times. Danger zone is 5 meters.
4. Beware of rotating turntable and all moving parts.
5. If not operated correctly the bale could fly off the turntable. The end support rollers must always be fitted. Do not exceed recommended turntable speed of 30 rpm. Misshapen bales combined with excessive turntable can be dangerous.
6. Care must be taken when tipping bales from the machine on sloping ground and during subsequent handling to ensure that they do not roll, thus causing hazard.

THINK OF YOUR PERSONAL SAFETY AND THAT OF OTHERS AT ALL TIMES

### Bale Wrapping Principles

The advantages of round bale silage are many, and include fewer feed units, a flexible harvesting system, large capacity and the possibility of selling feed units.

In principle, the same fermentation processes occur whether the fodder is placed in a silo or pressed into bales and packed in plastic, i.e. lactic acid fermentation in anaerobic conditions. The oxygen in the bale must be exhausted before fermentation begins.

The grass should be dried to approximately 30-40% solid content. The solid content can be determined by twisting the grass by hand. If drops of liquid are forced out of the grass, the solid content is less than 25%. Low solid content (wet grass) can lead to increased butyric acid fermentation if preservatives are not added to the grass. If the solid content is too high, (over 50%), normal fermentation will not take place and there will be enough oxygen in the bale to produce mould fungus.

### The Baler

It is vital that the baler produces compact, well-formed bales, as misshapen bales can be difficult to wrap. Wrapping will also often take longer, thereby increasing the amount of plastic used.

### Difficult Bales

When a misshapen bale is wrapped, it will have a tendency to move outwards or inwards on the roller. If the bale begins to move outwards, the machine must be lifted slightly at the rear edge to get the bale to rest against the support roller on the main frame. It can therefore be useful to use a hydraulic top link to make this adjustment easier.

If the bale to be wrapped is conical you must ensure that the sharp end is pointed at the tractor. It will then be easier to get the bale to lie correctly during packing. It is easy for such a bale to "turn" forward in the direction in which it is pointing, and therefore lie against the support rollers. If the bale is lying on a slope it must be picked up from the lower side. A hydraulic top link will again be advantageous.

### Types of Plastic

A good type of plastic with good adhesive properties, and which is recommended for bale wrapping, must be used. The thickness of the plastic foil should be at least 25  $\mu$ . (25/1,000 mm). In order that the plastic tightens sufficiently around the bale, it is stretched before being wrapped, so it is somewhat thinner when it is put on the bale. With short-term storage (up to eight weeks) it is recommended that bales have a minimum of four layers of plastic at the thinnest points, with at least 52-53% overlap.

For long-term storage, or when the grass is wet when it is wrapped, the bale should have 90-100  $\mu$  plastic (six layers) and the same amount of overlap. If thinner plastic is used, more layers should be applied. If it is very hot the plastic will be stretched further, and more layers should be applied. It is better to have slightly too much than too little plastic on the bale.

From experience, light colored plastic produces slightly lower temperatures within the bale, and tends to improve feed quality.

### Storage Location

Care should be taken in finding a suitable location for the storage of bales. The storage location should preferably be prepared before the bales are laid out. An elevation close to well-drained roads is recommended. If the wrapped bales are simply placed on stubble there is a danger of the plastic being pierced. A tarpaulin or a thin layer of sand should therefore be laid where the bales are to be stored over the winter.

Bales should be stored in the shade as far as possible. This reduces the danger of air leakage in the bales. A bale which is stored in sunlight and which therefore undergoes greater swings in temperature "pumps in" a great deal of air in comparison to a bale stored in the shade. According to "Teknik for Lantbruken" [Technology for Agriculture] in Sweden, a bale stored in the shade has only 40% of the air leakage of a bale which is stored in sunlight.

#### Stacking / Protection

If bales are hard and well formed, they can be stacked vertically, but loose and misshapen bales with low solid content should not be stacked higher than one layer, as this could easily cause deformity and the danger of runoff will be increased.

Bales can also be stored on their sides. The layer of plastic is thicker here, providing greater protection against piercing.


Bales should be covered with a tarpaulin or a fine-mesh net to protect against birds and small rodents. If the plastic is pierced, it must be sealed with weatherproof, hard-wearing tape, preferably under the outermost layer of plastic. Ensure that the hole is adequately sealed.

#### For Best Wrapping Results...

1. Harvest the grass early.
2. Ensure the grass is dried out to 30-40% solid content. If there is a danger of rain, bale and wrap the grass anyway.
3. Take care not to mix any earth in with the grass.
4. Use a baler that produces even, firm bales. Bales 1.2mtrs in width and with a diameter of 1.2-1.5mtrs are preferred sizes.
5. Wrap the bales as soon after baling as possible; never more than two hours afterwards.
6. Use a good plastic type, applying six layers of plastic. This removes the need to use preservatives.
7. Store bales in the shade to reduce the danger of air leakage.

### Hitching the Machine (See Fig. 6.1)

Before attempting to hitch the wrapper to the tractor remove the lower links of the tractor to avoid them touching the drawbar (1). The machine can be hitched to the tractor using the towing hook of the tractor. Prior to hitching to the tractor the correct height of the hitch eye (2) must be determined. Please note that the drawbar can be turned upside down (See Fig 6.2) to accommodate a high or low attachment level, height adjustment can also be achieved by choosing one of three heights when connecting drawbar to the Chassis front adjustment plate (3). There are three types of drawbars available with this machine providing three hitching options depending on the tractor towing mechanism; Standard Hitch (shown), Clevis Hitch & High Hitch. Once an appropriate hitch height has been determined the Chassis height can be raised and lowered by turning the handle on the jack (1) clockwise and anti-clockwise respectively. Once the machine has been hitched to the machine fully re-tract the jack by turning the handle clockwise.

 Never stand between the tractor and the machine during hitching and ensure both the tractor and machine are prevented from rolling away.

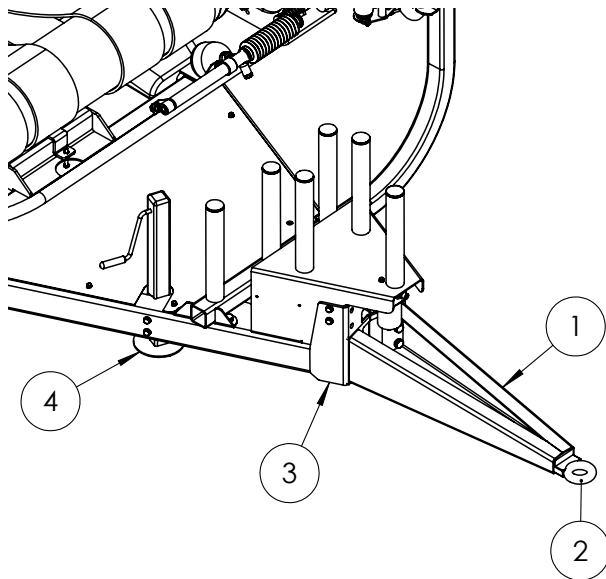


Fig. 6.1

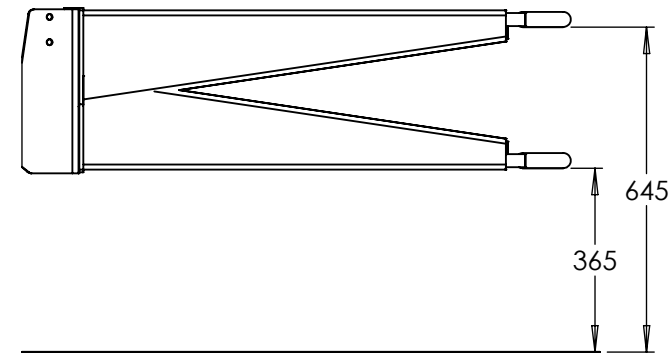


Fig. 6.2

#### A100EH Controller

The A100EH electronic controller activates the automatic functions of the machine and also enables the operator to manually operate the machine. This unit should be mounted in the tractor cab within in reach and where it can be conveniently viewed by the operator. A suction pad is supplied with the controller, this should be used mount it (usually to the side window of the cab). The controller's 12v electrical supply is connected with a 3 pin euro plug which is compatible with the socket found on most modern tractors. If the tractor does not have a 3 pin euro socket then one should be fitted with the power cables going straight to the battery. The controller is protected from electrical overload with two 15amp fuses in an enclosure on the power cable. The controller is connected to the communication cable from the machine with a 24 pin connector. Take care when connecting this cable and also ensure that the cables is not under strain and will not be damaged by sharp edges or the movement of the machine.

The controller is not waterproof so it should be protected from rain and stored indoors when not in use.

A100 EH Control Box



### Mounting of Plastic Film (See Fig. 6.6 & 6.7)

When loading a plastic roll, first ensure the Top Cone is pushed up to the latched position, then push back the Dispenser Insert until held in position by the Bottom Latch.

Place the Roll on the Bottom Cone and release the Top Latch.

 BEWARE OF FINGERS!

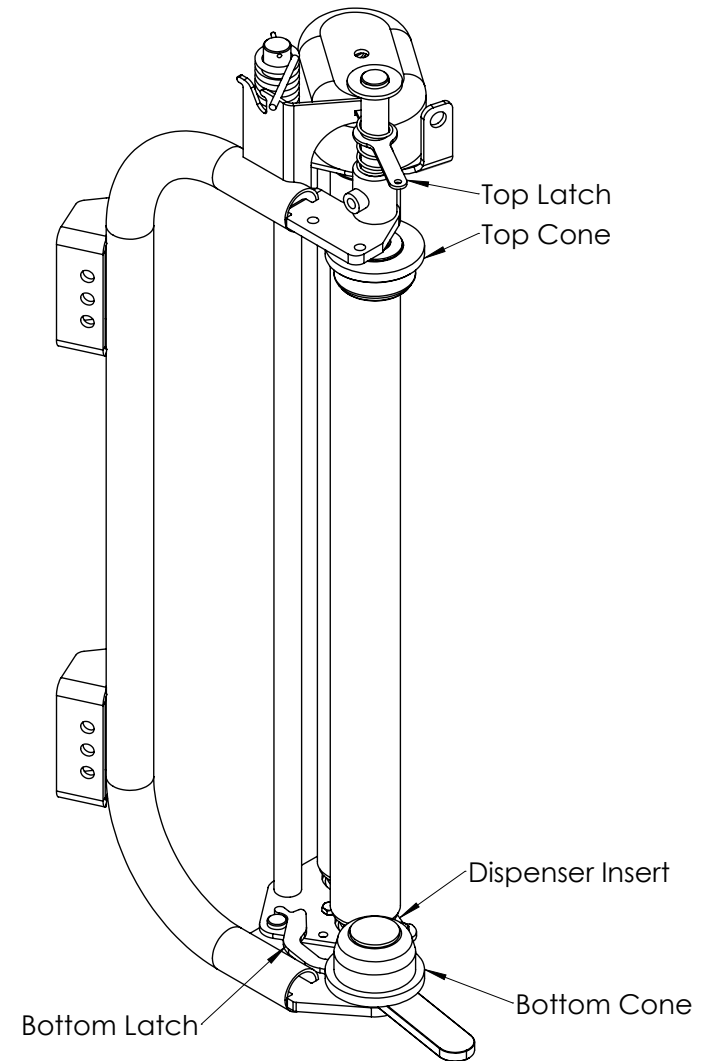
Pull the film between the rollers on the Dispenser Insert in the direction of the arrow, as shown below. (See also the sticker on the dispenser).

Release the Bottom Latch and allow the rollers to lie against the roll of film.

Pull the film from the roll and tie it to the bale.



Fig. 6.6



### Tanco Dual Stretch Dispenser

All Tanco Autowrap machines are supplied with a patented dual stretch gear system. This system enables a quick change of stretch levels on the Film Dispenser.

If the Gear Bolt is fitted in Position 1 (See Fig. 6.8), the top set of gears provide the stretch @ 70%. By removing the Gear Bolt from Position 1 and fitting it in Position 2, the bottom set of gears become the stretch gears giving 55% (for use in hotter climates or with square bales).

### Tanco Dispenser Gear Combinations

Inner Gear	Outer Gear	% Stretch
60 Tooth	35 Tooth	70%
58 Tooth	37 Tooth	55%
54 Tooth	41 Tooth	32%

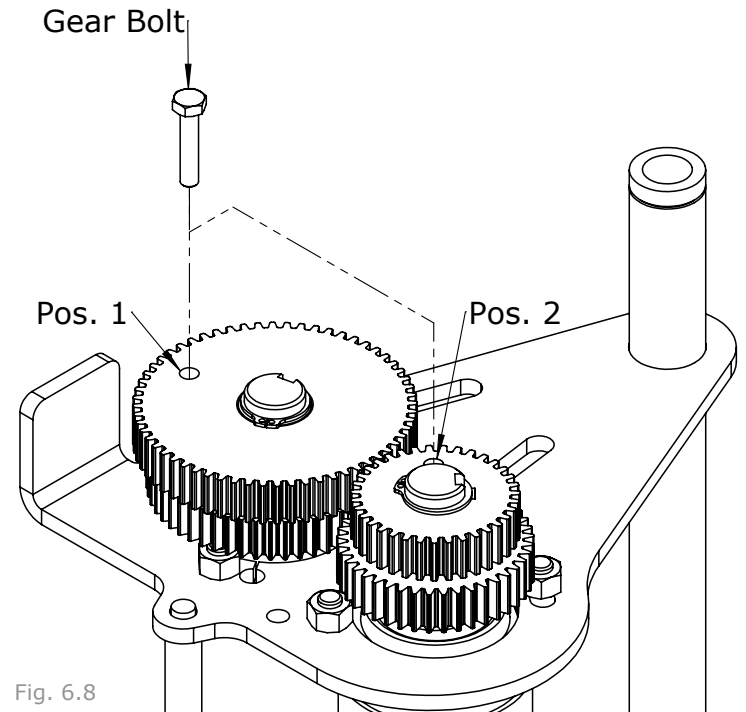


Fig. 6.8

### Support Rollers

To allow for stability of the bale during the wrapping process the support rollers can be adjusted for different sized bales. It is important that the support rollers are adjusted so that the bale is in the middle of the table. When the bale is on the table (See Fig. 6.9) the distance between the ends of the bale and the support rollers (D) should be  $<50\text{mm}$ .

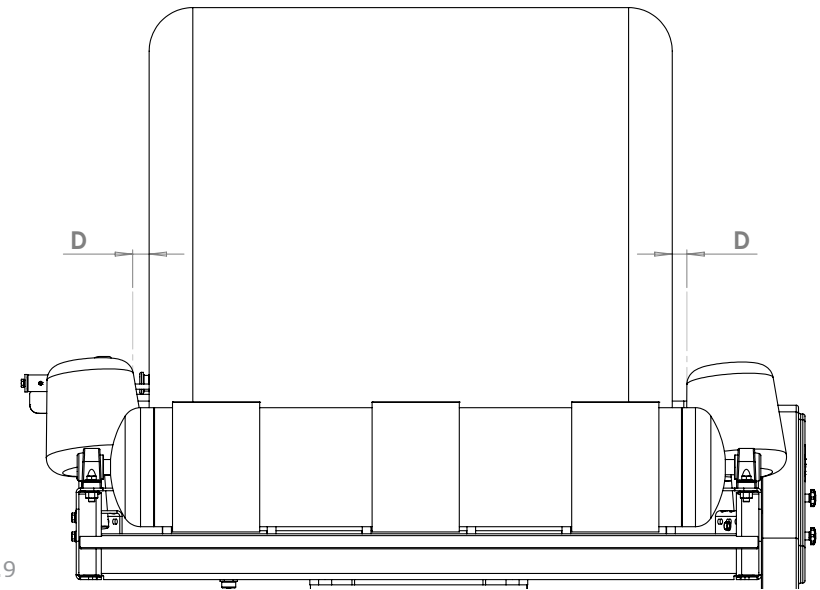


Fig. 6.9

### Support Roller Adjustment (See Fig. 6.10)

The support rollers have three adjustment positions (3). In order to move the support roller (1) disconnect the locking bolt (2) from its original position and move the roller to adjust to distance D. Once the roller is in its desired position fix it in place with the locking bolt (2).

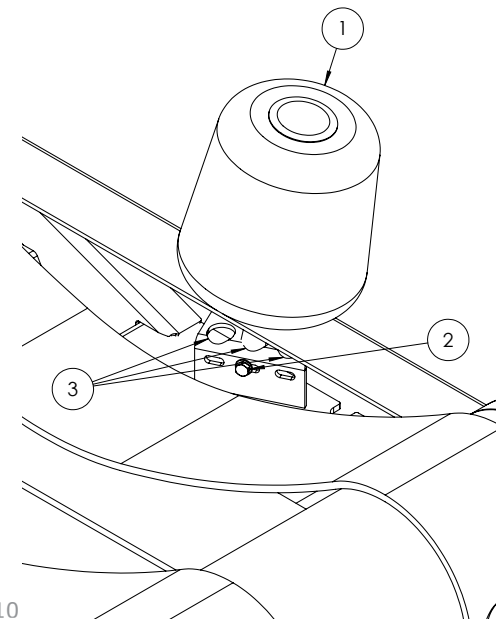


Fig. 6.10

### Chain Tensioning (See Fig 6.11)

The roller drive chain is located inside the plastic guard.

To adjust the chain tension loosed the bearing mounting bolts (2). Use the adjusting screw (4) to move the bearing and so adjust the chain tension. Retighten the bearing mounting bolts. Measure the distance from the bearing to the edge of turntable end-plate, check that this measurement is the same on the opposite end of the roller, if not adjust the second bearing.

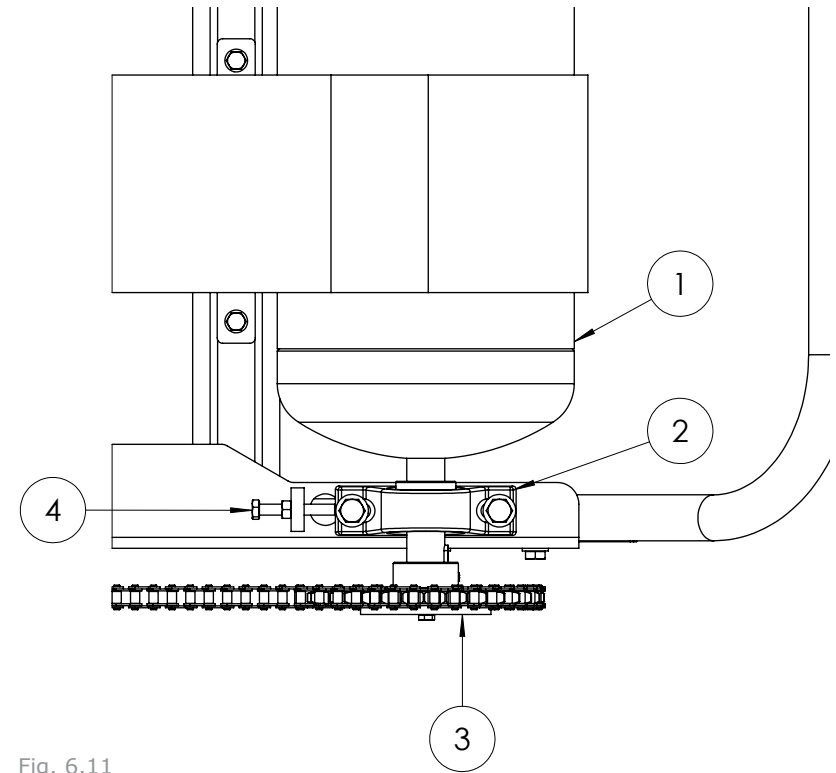


Fig. 6.11

### A100 EH Controller

The Tanco Autowrap Bale Wrap Controller enables the operator to monitor and control the operation of the bale wrapper at any stage of the wrapping cycle.

There are 2 operating modes – Automatic and Manual. The Automatic Mode permits 'one-touch wrapping' to ease the workload on the operator. The controller is fully programmable to optimise wrapping performance. Bale counts are automatically logged in any one of 10 selectable memory stores, in addition to a grand total memory store.



#### IMPORTANT SAFETY INFORMATION!

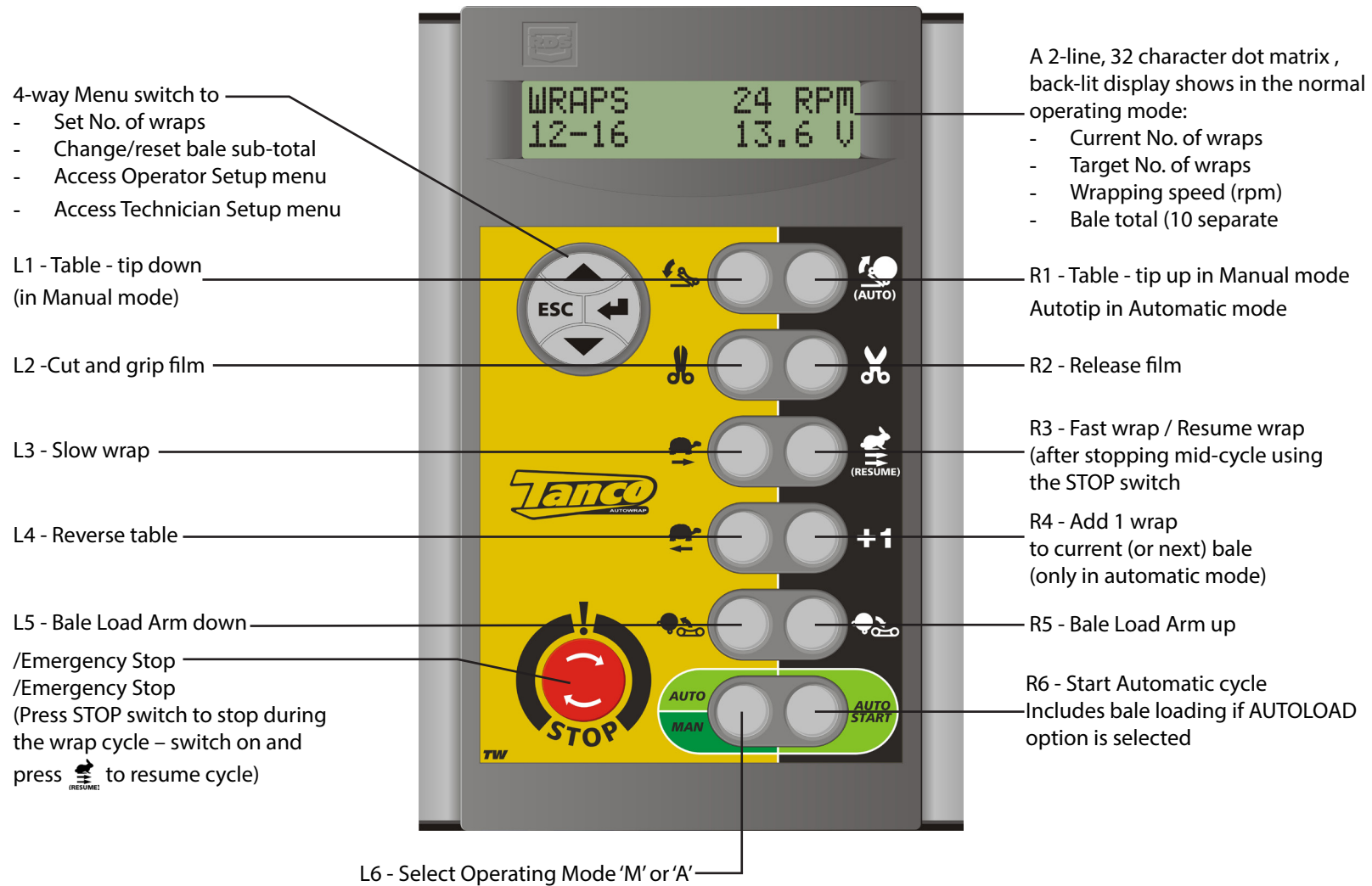
Please read and understand the instructions for using this controller before operating the machine.

This controller is fitted with a push-button type On/Off Emergency Stop switch. Always ensure the controller is switched OFF via this switch before attempting any adjustment or maintenance to the machine.

Please follow ALL other safety instructions given in the manufacturers' Operator's Manual for this machine.

### Controller Main Operating Functions & Display

The principal instrument features and operating functions of the Controller are shown in Fig. 7.1 overleaf.



### Operation in Automatic mode

The controller is generally used in automatic mode.

### AUTOLOAD

On the A100 model if a time is set for Load Up (5.0 approximately) in Operators Setup, then bale loading is incorporated into the automatic cycle for complete 'one touch wrapping'. If Load Up is set to time 0.0, the bale loading must be performed manually

Note: ensure that the turntable is in correct the loading position (with the film cutter on the opposite side to the load arm) before commencing autoloading. The machine can be damaged if this is not observed.

'A' on the display indicates that the controller is set in Automatic mode. If not, press L6 to select.

### AUTOLOAD Sequence

Bring the machine up to the bale and press the R6 switch to commence the automatic sequence – Load, Wrap.

- 1. Bring the machine up to the bale, then press and hold the R5 switch to load the bale.
- 2. Press and hold the L5 switch to lower the lift arm.
- 3. Press the R6 switch to commence the automatic wrapping cycle. The cycle is completed when the target number of wraps has been reached.  
Note: the lift arm must be in the safe lowered position for automatic wrapping to start.
- 4. Press the R1 switch to tip the bale off and automatically position the table for loading.  
Note: Ensure that the turntable is in the correct offloading position (with the film cutter to the front) before commencing offloading. The machine can be damaged if this is not observed.

### AUTO OFFLOAD

If Auto Off-Load (in Operator Setup) is set to ON the bale will be tipped off automatically without pressing the off-loading button.

Note: For SAFETY, if Auto-Offload is set to ON and the controller is powered off and on again, the operator will be asked to confirm that Auto Off-Load is still required. This is done by pressing the Enter arrow button. Note: Auto Off-Load should only be used where it is safe to do so.

#### Manually interrupting an automatic wrapping cycle

Press the STOP switch. Pressing the R3 switch after switching the controller back on will resume the auto-wrap cycle from where it stopped.

For safety reasons, if it is necessary to work on the machine (e.g. in the event of a film break or the film running out), then it is strongly recommended that you disengage the machine power source.

#### Manual options in Automatic mode

With the controller in automatic mode, the following manual functions are possible.

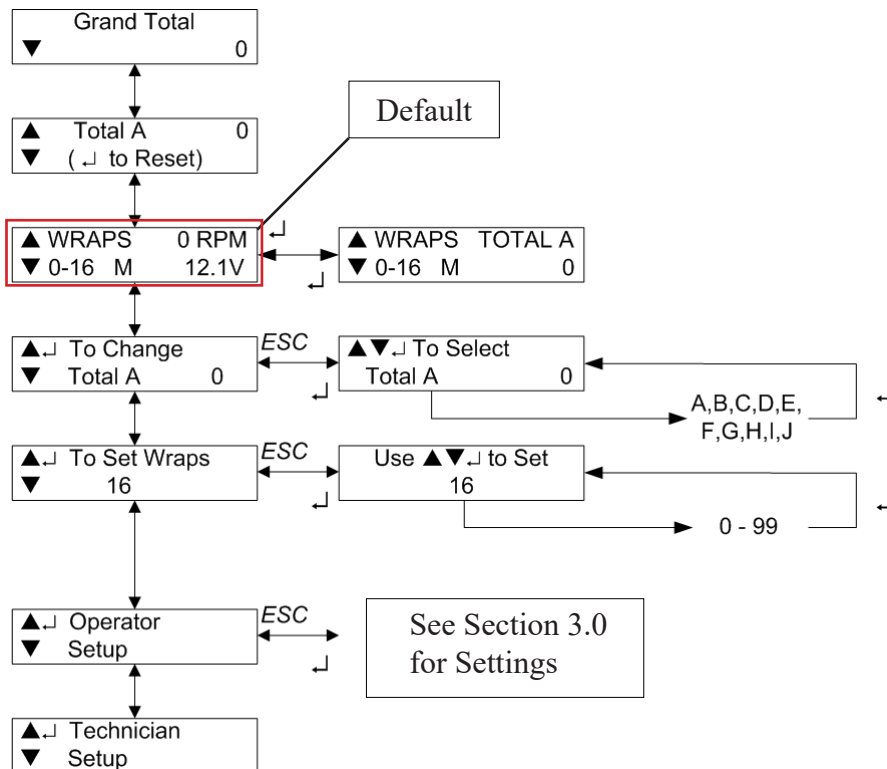
- Slow Wrap (L3): (only enabled outside of the wrapping sequence). Press R3 to resume the normal fast wrap.
- Reverse Table (L4): (only enabled outside of the wrapping sequence). Press this button to nudge the table backwards to the desired position.
- Add 1 Wrap (R4): Each time you press this button an additional wrap will be put on the current bale if the wrapping sequence is in progress, or onto the next bale if the automatic cycle has not yet been started. You can add as many wraps as required.
- Load Up/Load Down (R5/L5) If the 'Autoload' sequence is not selected, then you can engage and pick up the next bale while the current bale is being wrapped.

#### Operation in Manual mode

'M' on the display indicates that the controller is set in manual mode. If not, press L6 to select. In manual mode you have total control of every stage of the wrapping cycle. The software logic determines which manual functions can be activated at any point in the wrapping cycle. Should the operator incorrectly select a function at a certain stage during the wrapping cycle, then that operation will not be performed.

## The Display Menu

The Display menu is divided into 3 sections. At the top level are the settings used during the daily work with the machine – i.e. Store totals and No. of Wraps. The Operator Setup' section enables the operator to perform adjustments to the machine operation – e.g. time duration and time delay settings during the automatic cycle. The 'Technician Setup' menu is not normally accessible to the operator without a PIN access code. 'Technician Setup' is not covered by this manual. Use the 4-way switch to navigate the menu. Each menu screen indicates which keys to press to make the settings. The instrument will default back to the main operating display after 30 seconds if no other key is pressed. Here is a summary of the display menu;



NOTE: There are additional sequences selectable in the Operator Setup menu but not shown in the table. These sequences are for wrapper models to which this manual does not apply. Please refer to section 3 for further explanation of the Operator Setup functions given in the table above

### Film Break Alarm (Optional on A100EH)

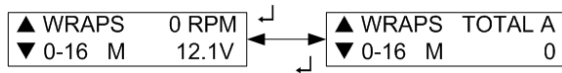
If the film breaks or runs out during the wrapping cycle, the instrument will sound an audible alarm and the display will show 'FILM BREAK'.

Wrapping will stop at this point. Press R3 when you are ready to resume the auto-wrap cycle.

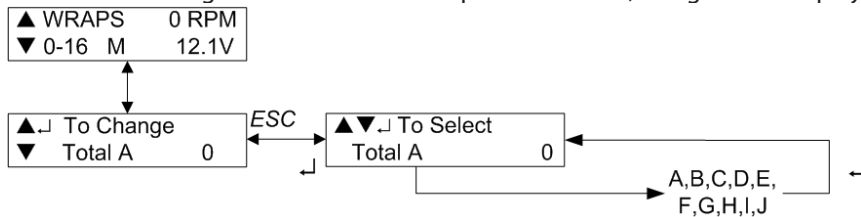
### Selecting a Store Total

There are 10 individual memory registers labelled 'Store A' to 'Store J' for bale totals. Each time a bale cycle is completed, the currently selected store total and the grand total increments by 1.

The currently selected store is displayed on one of the two screens selectable in the normal operating mode.



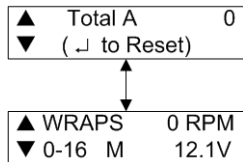
The default setting is Store A. To select a particular store, navigate the display menu using the 4-way switch.



Press the up/down arrow keys to select the store, then press the ENTER key to confirm the selection.

### Resetting a Store Total to Zero

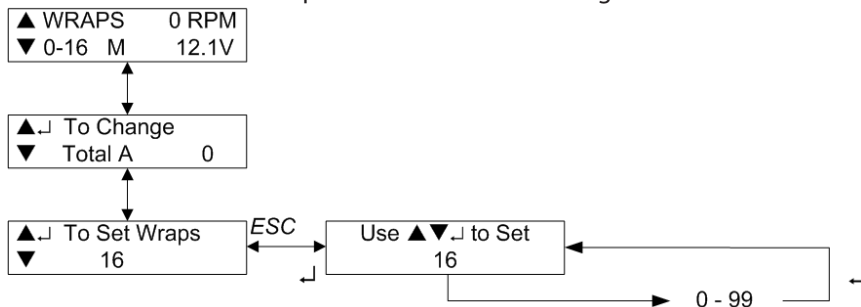
Stores A to J can be individually reset to zero at any time. The Grand Total store cannot be reset. First select the store to be zeroed, then navigate the display menu as shown below.



Press the ENTER key to reset.

### Setting the Number of Wraps

The default number of wraps is 16. You can set the target number from 0 to 99 by navigating the display menu as shown below.



### Operator Setup Menu

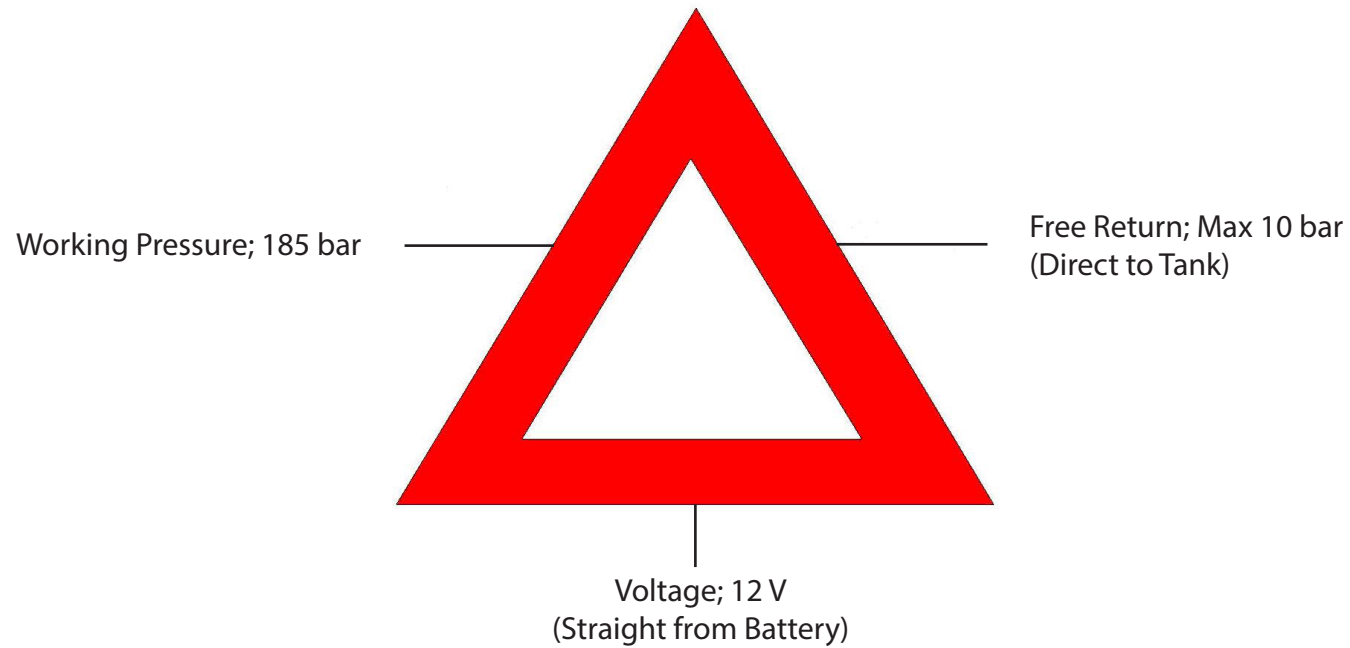
The default settings for the machine are developed by Tanco for optimal operation of the machine. However, the operator can change certain parameters in the 'Operator Setup' menu to take account of operational conditions.

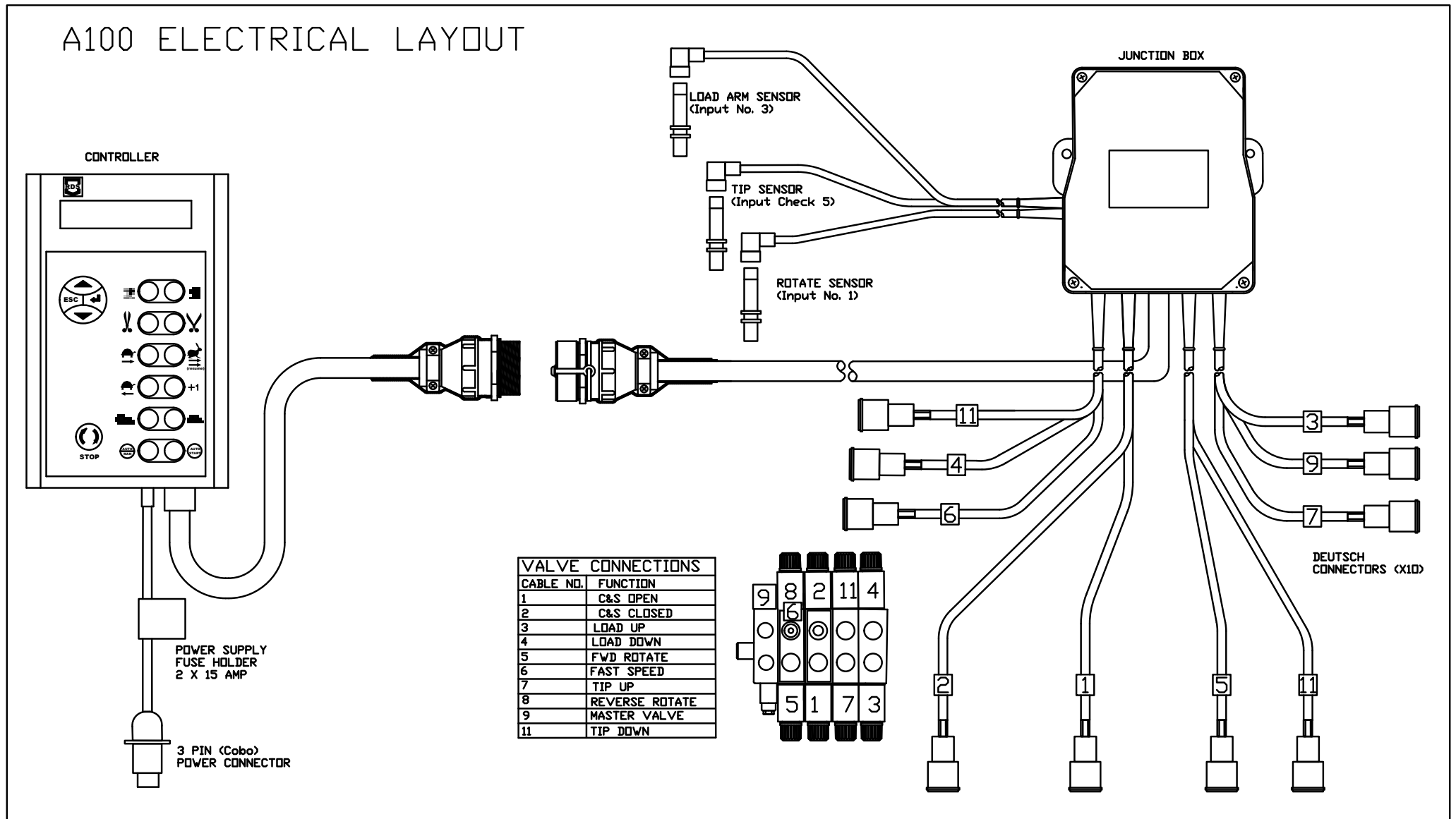
Menu No.	Parameter	Default	Units	Description
Target No. of Wraps	16			
<b>Operator Level</b>				
4.01	Contrast	2		
4.02	Film Break	OFF		Switches on or off film break sensor
4.03	Auto Off-Load	OFF		Switches on/off the automatic offloading after wrapping. If this is set to yes, then if the controller is switched off and back on, the Enter button (arrow) must be pressed to confirm that Auto Off-Load is still required.
4.41	Remote Type	RF		Sets controller for remote control type. (RF=Radio control)
4.17	Tip Up	4.0	Seconds	Time from cutter closing during tipping to fully tipped
4.18	Tip Up to Down	0.3	Seconds	Time between tipping up and tipping starting back down
4.19	Tip Down	4.8	Seconds	Table tipping down time
4.2	Fast Last Rev.	1.2	Seconds	Time table continues in fast speed on last wrap revolution
4.35	Language	English		Sets controller language
<b>Technician Level (Pin 1,2,3,4)</b>				
5.01	Sequence	A100		Sets controller program for machine model.
5.02	Slow Start Time	2.0	Seconds	Time table runs in slow speed at start of wrapping
5.03	C&S Open Time	2.5	Seconds	Cutter opening time to release film during wrapping.
5.04	C&S Close time	1.5	Seconds	Cutter closing time during tipping
5.06	Tip to Rotate	0.3	Seconds	Not used on this model
5.09	Wrap T to Stop	0.2	Seconds	Time delay for table to stop after passing magnet at at end of wrapping before reversing to tip position
5.11	Tip Pause	1.5	Seconds	Time tipping pauses for cutter to close
5.12	C&S Open	4.0	Pulses	Number of table turns before film is released
5.63	Reverse Time 2	0.0	Seconds	Time table reverses at end of wrapping to tip latch position
5.64	Tip Posn Check	Yes	Seconds	Controller checks that table is in correct position for tip.
5.25	RPM Alarm	*35	Seconds	Maximum table wrapping speed.
5.28	Set Default			Sets controller back to its default settings.

\*Note: You can also select RF LEARN. This is used to pair the controller to the frequency of the remote control unit. This needs to be done if you change the remote control transmitter unit. Press enter on the controller and press and hold the stop button on the transmitter. There will be a beep and a code will appear on the display. The remote is now learnt and ready to use.

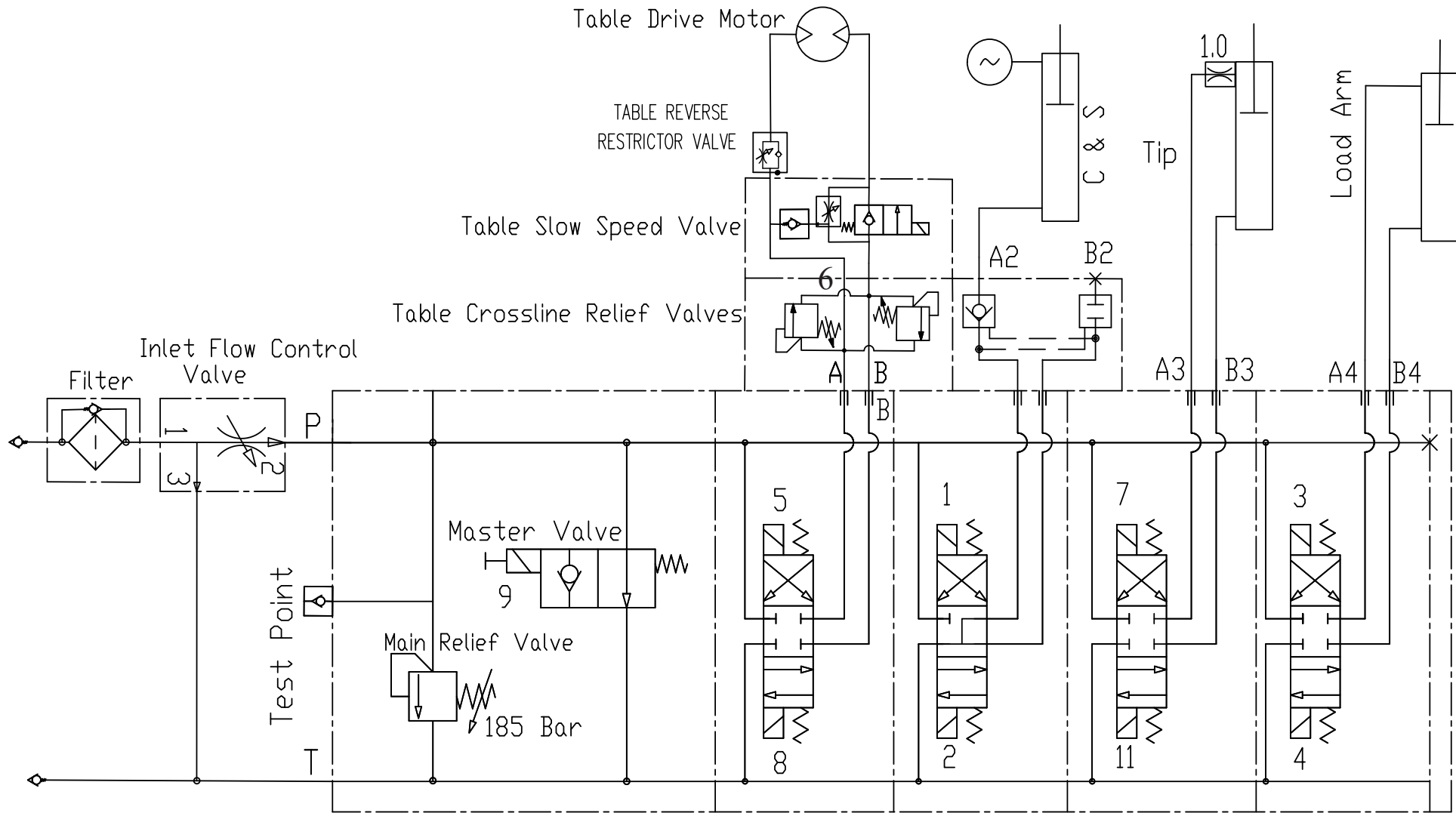
### Electro-Hydraulics

Note: There are 3 basics, which must ALWAYS be followed if the machine is to function correctly.





# A100 HYDRAULIC CIRCUIT



### Check Points Prior to Troubleshooting

There are some general check points that have to be examined first if something is wrong with the machine. There are three basic assumptions that have to be fulfilled for the machine to function properly;

1. The oil pressure from tractor should be 180 bar.
2. The return flow of oil has to be as free as possible, max. 10 bar counter pressure.
3. Enough electric power to all functions.

### Oil Pressure

In order to check that the oil pressure into the machine is high enough, a gauge may be applied to the oil pressure hose, for example on the quick coupler. If the pressure is less than 180 bar, there will be less power for the functions.

### Oil Flow

The amount of oil that the tractor delivers should be minimum 25 liters/minute for satisfactory operation of the machine.

Note: (Max. allowed oil amount is 40 liters/minute). Ensure that oil level in tractor's hydraulic system is correct and tractor's oil filter is changed regularly. REMEMBER! Large oil amount will mean that the Valves get hot. (Small Oil Tank will mean insufficient cooling).

### Return Pressure

The return pressure can be too high. With high return pressure the machine's functions will get less power. High return pressure means also that you need more power to operate the valves. MAX. ALLOWED RETURN PRESSURE IS 10 BAR. We recommend "free return" directly to the tank.

### Electric Power

It is important to check that all functions receive enough electric power. If not, some, or all functions may fail.

PLEASE CONTACT YOUR DEALER IF YOU ARE IN DOUBT ABOUT ANYTHING.

(Remember always to give your dealer the serial number and production year of your machine when contacting dealer and when ordering spare parts).

### Procedure of Troubleshooting

If the machine fails to operate correctly it must be determined if the problem is Hydraulic, Mechanical or Electrical.

Area	Problem	Remedy
Hydraulic	Oil supply under high pressure immediately the tractor hydraulic lever is engaged.	<p>Hydraulic feed or return couplings not properly engaged.</p> <p>Hydraulic couplings connected to a double acting supply on the tractor and supply is in the wrong direction. This can cause the poppet in the return coupling to lock closed. The coupling will have to be loosened to relieve the locking pressure between the check valve and the coupling.</p>
Controller	Controller does not power up.	<p>Check the switch on the back of the controller.</p> <p>Make sure the 3 pin power supply plug is securely connected.</p> <p>There are two 15A fuses on the power cable, check the condition of these.</p>
	Controller not counting turntable revolutions	<p>Check the turntable sensor located on the tipping frame. This has an LED indicator that lights when the metal come within 5mm of the tip.</p> <p>Check the controller communication cable is connected and not damaged.</p> <p>Note if the table revolutions are not being counted many other automatic functions will not automate because they are triggered by the count.</p>
Film Cut and Start	Cylinder only partially extends.	<p>The oil pressure in the accumulator is over 60 Bar usually caused by leaking cylinder seals. Get this checked by a service engineer.</p> <p>Check operation of diverter valve on tipping frame.</p>
	Cylinder does not retract to release the film during wrapping.	<p>This cylinder is opened by the oil held under pressure in the accumulator. If the pressure is too low it will not open. Please get your dealer to recharge the accumulator pressure.</p> <p>Check the wiring to the control valve.</p>

Area	Problem	Remedy
Film Cut and Start contd.	Cut and start is closed before film is gathered	The diverter valve on the tipping frame is activated too soon. Change the bolt to a lower hole in the link.
	Bale is tipped off before film is cut.	Diverter valve is activated too late. Move the bolt to a higher hole in the link.
	Film is not cut cleanly	Check condition of blade.
Film Dispenser	Film not wrapping evenly on to bale.	Adjust the film dispenser height so the centre of the film is in line with the centre of the bale.
	Film breaking while wrapping.	Check for damage on the roll of film.
		Check film dispenser gears are rollers are rotating freely.
Wrapping	Drive roller and bale not turning.	Check the shear bolt on the driver roller sprocket. If sheared replace with an M8 X30 grade 8.8 bolt.

### Periodic Maintenance

#### Bearings

All ball-bearings are packed with grease, and do not need any more maintenance.

#### Pre-Stretcher

If the machine is in daily use, the Gears under the plastic cover on the dispenser should be greased with P.T.F.E. based grease to gears every 50hrs..

#### Cutter / Film Holder

The cutter / film holder is pre-adjusted from the factory and does not need further adjustments. When replacing spare parts, it is necessary to adjust it.

#### Cleaning

The machine should be cleaned and oiled regularly and at the end of the wrapping season.



When using high pressure washing apparatus, care must be taken with the electrical installation.

Also make sure that water is not sprayed directly into the bearings, etc. Keep the control box protected from rain and water. If necessary use compressed air to dry electrical components.

#### Hydraulic Cylinders

Make sure that all hydraulic cylinders are closed when storing the machine.

#### Quick Couplers

Ensure that the quick couplers are kept clean and apply the dust caps after use.

#### Storage

The machine should be parked on a dry place during the closed season.

#### Nut & Bolts

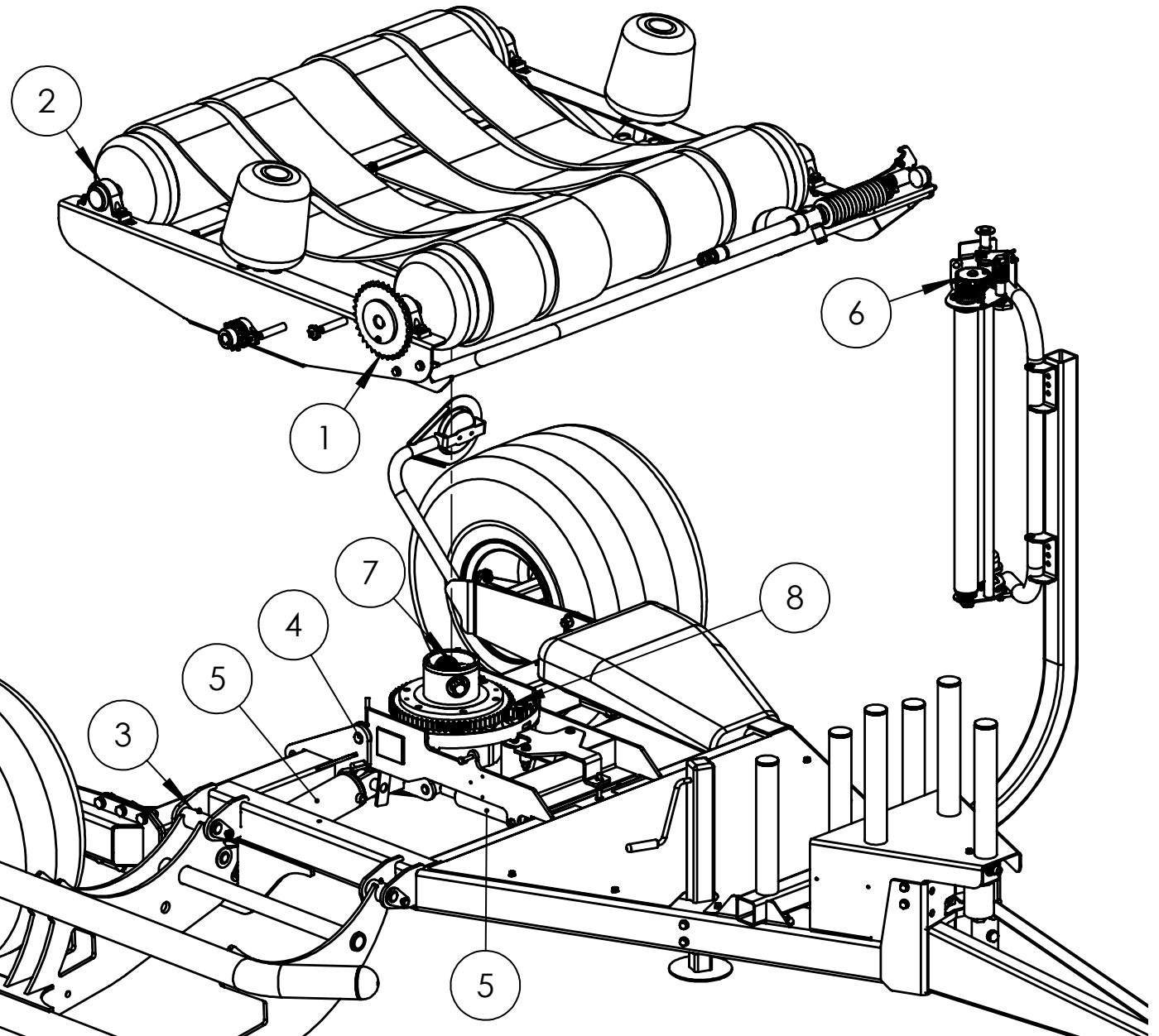
All nuts and bolts should be tightened after the first hour's use, thereafter regularly.

#### Road Wheels

Wheel pressure should be normally kept at 42 psi depending on bale weight and field conditions.

Lubrication

1. Drive Chain & Sprocket - Grease every 24 hours
2. Drive & Idler Roller Bearings - Grease every 24 hours
3. Lift Arm Pivot Pins - Grease every 24 hours
4. Tip Frame Pivot Pins - Grease every 24 hours
5. Hydraulic Cylinders - Grease every 24 hours
6. Dispenser Gears - Grease every 24 hours
7. Gearbox (Internal) - Grease every 12months
8. Motor Gear & Gearbox (External) - Grease every 24 hours



### GUARANTEE

Subject to hereunder provided, the sellers undertake to correct either by repair or at their election by replacement any defect of material or workmanship which occurs in any of its goods within twelve months after delivery of such goods to first user, with the exception of contractors or commercial users when warranty period is six months.

In respect of Autowraps the warranty period is for 12 months or 8000 bales, whichever occurs first.

The term goods when used in this document means the article or articles described in invoices as sold by the sellers but does not include equipment or proprietary parts or accessories not manufactured by the sellers. The sellers, however, undertake to pass on so far as they legally can to the first user the benefit of any warranty given to the sellers by the suppliers of such equipment, parts or accessories.

This understanding shall not apply to:-

- (a) Any goods that have been sold by the first user.
- (b) Any goods which have been injured by unfair wear and tear, neglect or improper use.
- (c) Any goods the identification marks of which have been altered or removed.
- (d) Any goods that have not received the basic normal maintenance such as tightening of bolts, nuts, tines, hose connections and fittings and normal lubrication with the recommended lubricant.
- (e) The use of any product on tractors exceeding the recommended horsepower.
- (f) Any goods that have been altered or repaired other than on instruction or with the written approval of the seller or to which any part not manufactured or having written approval by the sellers have been fixed.
- (g) Any second-hand goods or parts thereof.

Any allegedly defective part or parts returned to the seller must be sent carriage paid. No claim for repair or replacement will be entertained unless upon discovery of the alleged defect written notification is sent to the Sellers giving, at the same time, the name of the Buyer from whom the goods were purchased and the date of purchase, together with the full details of the alleged defect and the circumstances involved, also the serial number of the machine etc.

The sellers shall be under no liability to their Buyers and first or subsequent users of their goods or to any other person or persons for loss or damage howsoever arising in respect of either personal injuries or for arising out of, or in any other way connected with or arising from the manufacturer's sale, handling, repair, maintenance, replacement or use of its goods or the failure or malfunction of any of its goods.

Representation and/or warranties made by any persons (including Buyers and employees and other representatives of the Seller) which are inconsistent or conflicting with these conditions are not binding upon the sellers unless given in writing and signed by a director of sales.

### CLAIMS

If you wish to make a claim under the guarantee:

1: Immediately, stop using the machine.

2: Consult with your Tanco dealer (supplier). He/She can download a warranty claim form on-line. This should be filled out and e-mailed to distributor and forwarded to relevant contact person in Tanco. Please ensure all relevant information is included on this form

3: Consult with your Tanco dealer (supplier) and have him forward your claim and the damaged item to Tanco.

EC DECLARATION OF CONFORMITY

ACCORDING TO DIRECTIVES 2006/42/EC

Manufacturer:  
Tanco Autowrap Ltd  
Bagenalstown  
Co. Carlow  
IRELAND



CERTIFIES THAT THE FOLLOWING PRODUCT:

TANCO AUTOWRAP  
MODEL: A100 EH Autowrap  
SERIAL NO: D13-250 - D13-350

To which this declaration relates, corresponds to the essential requirements of the Directive 2006/42/EC.

To conform to these essential health and safety requirements, the provisions of the following harmonized standards were particularly considered:

ISO 12100, EN 294, prEN 703, EN ISO 13857, EN ISO 4254 - 1, prEN 982.

DATE: 01/10/2017

Signed:                     *Con Hourihane*                      
Con Hourihane, Technical Manager

#### A100 EH Ersatzteilliste

Wir empfehlen, nur Originalteile als Ersatzteile zu verwenden.

Befolgen Sie bei der Bestellung von Ersatzteilen bitte die folgenden Schritte:

1. Stellen Sie anhand der detaillierten Zeichnungen fest, welches Teil Sie benötigen.
2. Haben Sie das benötigte Teil identifiziert, geben Sie die Teilnummer auf dem Bestellschein an, mit dem Sie das/die Ersatzteil/e bestellen.
3. Geben Sie bei jeder Bestellung die Serien- und die Modellnummer Ihrer Maschine an.
4. Alle Bestellungen müssen über Ihren Tanco-Händler vor Ort erfolgen und müssen Tanco Autowrap als Fax oder E-Mail erreichen.

#### A100 EH Spare Parts List

We recommend that when you require spare parts you use only original parts.

When ordering spare parts please follow the following steps;

1. Identify the part you require using the detailed drawings.
2. Once you have identified the part you require reference the item number relating to the part on the item list where you will find the part number and description of the part you require. You will be require to give the complete part no and decription when ordering your part(s).
3. When ordering you must give the Serial Number and Model Number of the machine.
4. All orders must go through your local Tanco Dealer, and must be either faxed or e-mailed to Tanco Autowrap.

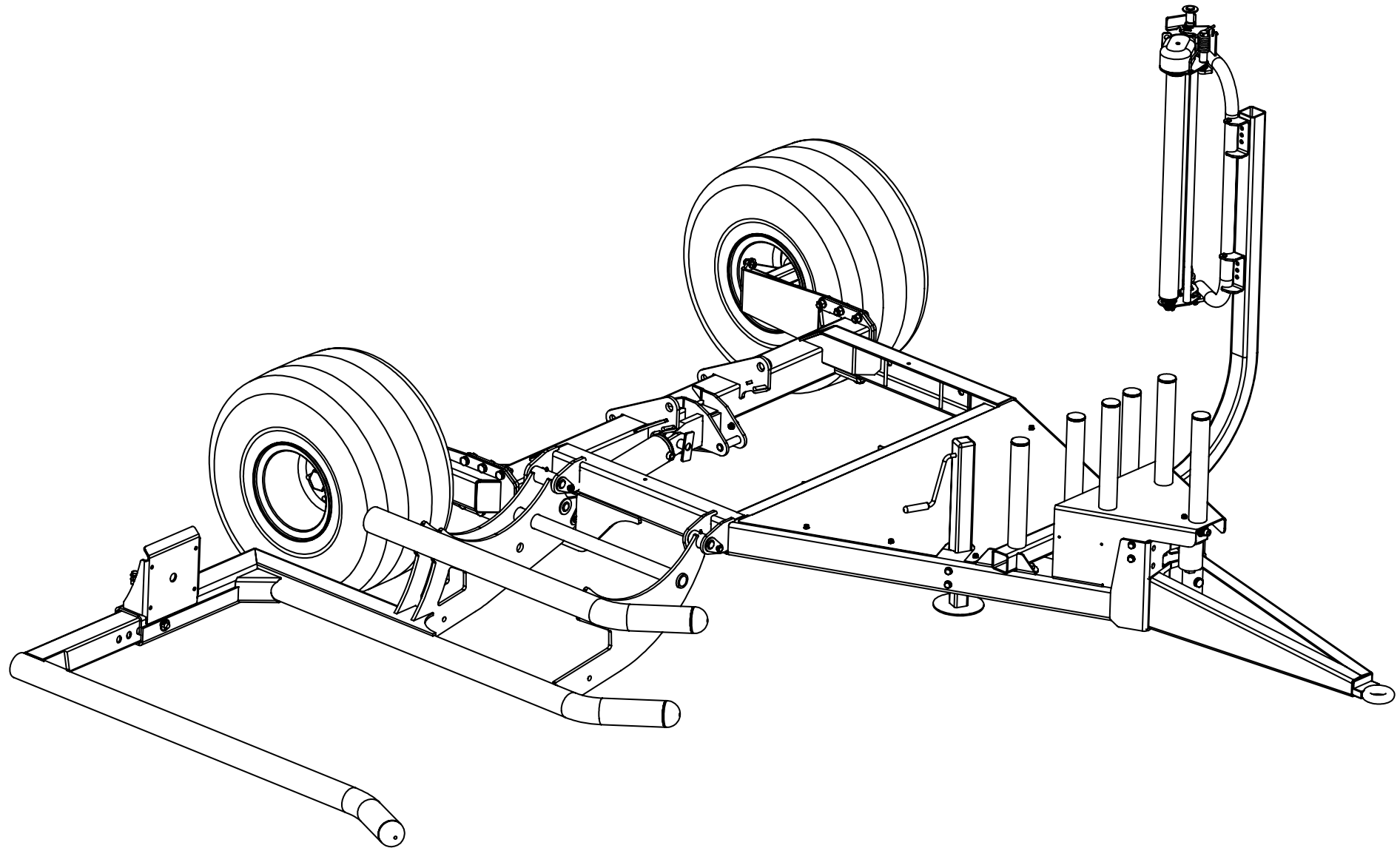
#### Liste des pièces de rechange A100 EH

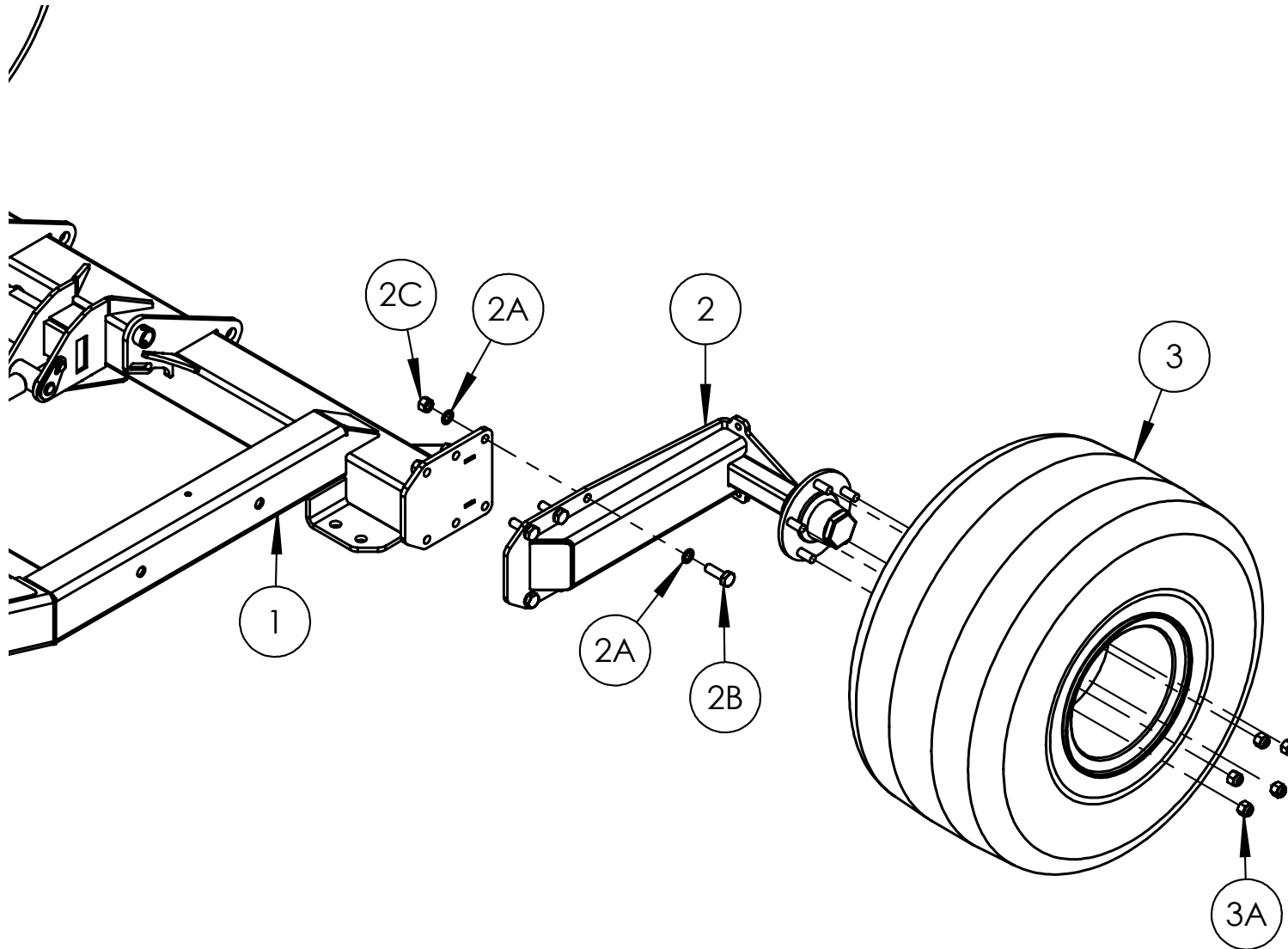
Si vous avez besoin de pièces de rechange, nous vous recommandons de n'utiliser que des pièces garanties d'origine.

Pour toute commande de pièces de rechange, veuillez suivre les étapes suivantes :

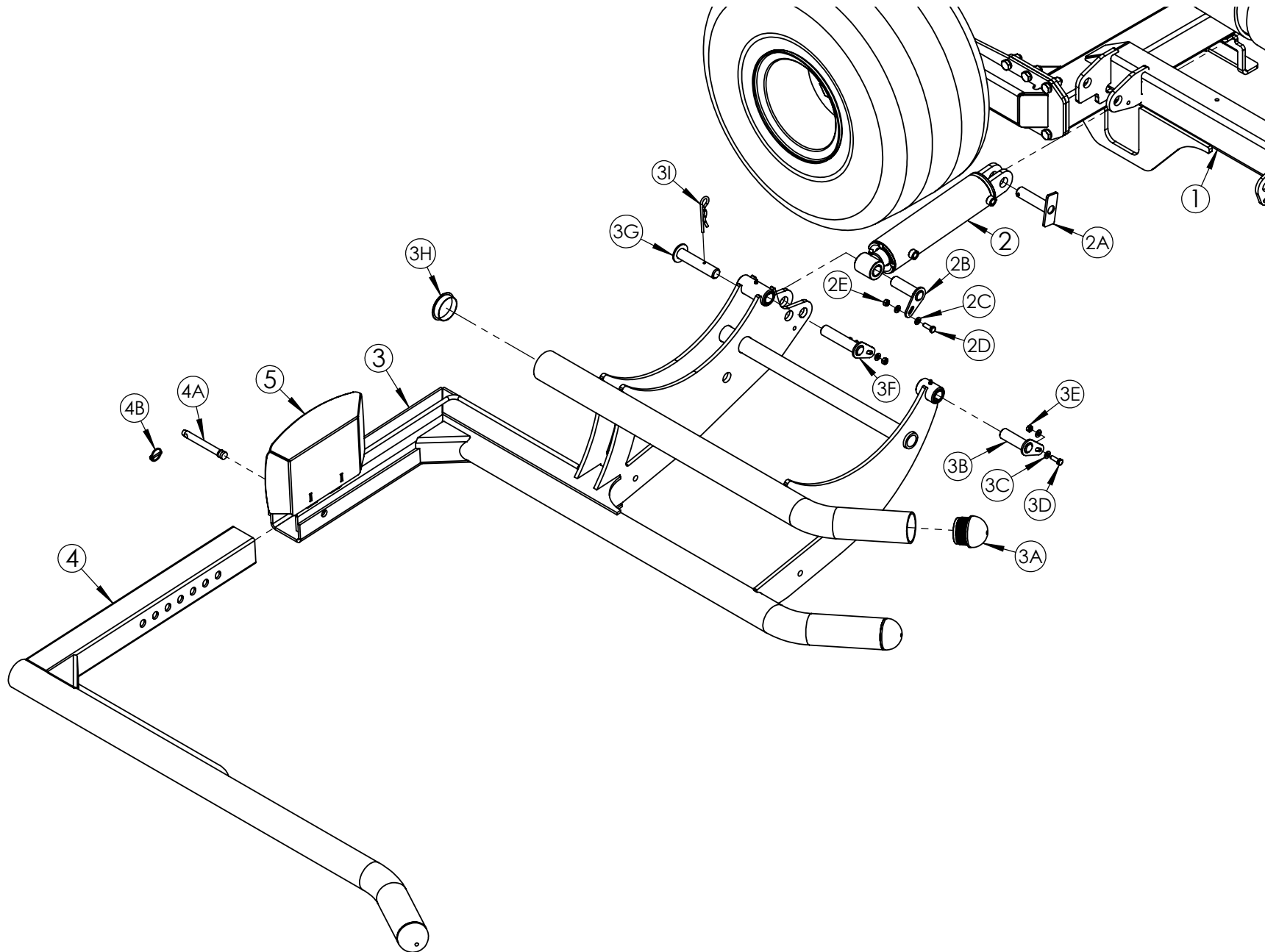
1. Identifiez la pièce dont vous avez besoin à l'aide des schémas détaillés.
2. Après avoir identifié la pièce dont vous avez besoin, relevez son numéro de référence dans la liste des pièces dans laquelle vous trouverez également la description de la pièce requise. Lors de la commande, vous devez indiquer la référence et la description complètes de la pièce.
3. Lors de la commande, vous devrez mentionner le numéro de série et le numéro de modçle de la machine.
4. Vous devez effectuer toutes les commandes auprès de votre revendeur Tanco local et les faxer ou les envoyer par e-mail à Tanco Autowrap.

KAPITEL CHAPTER CHAPITRE	SEITE PAGE PAGE	BENENNUNG	DESCRIPTION	DESIGNATION
1	4	Fahrgestell-Baugruppe	Chassis Assembly	Châssis
	5	1.1 Feste Achse	1.1 Fixed Axle	1.1 Essieu fixe
	7	1.2 Lastarm	1.2 Load Arm	1.2 Bras de chargement
	9	1.3 Heber- und Vorstreckerbefestigung	1.3 Jack & Dispenser Mounting	1.3 Montage du cric & distributeur
	11	1.4 Ventilbefestigung	1.4 Valve Mounting	1.4 Montage de la vanne
	13	1.5 Anhängeloption	1.5 Hitch Option	1.5 Option d'attelage
2	16	Aufstellrahmen-Baugruppe	Tip Frame Assembly	Assemblage du bâti de basculement
	17	2.1 Befestigung des Aufstellrahmens	2.1 Tip Frame Mounting	2.1 Montage du bâti de basculement
	19	2.2 Getriebebefestigung	2.2 Gear Mounting	2.2 Montage de l'engrenage
3	22	Drehtisch-Baugruppe	Turntable Assembly	Ensemble de table pivotante
	23	3.1 Ballenstützrolle	3.1 Bale Stop Roller	3.1 Rouleau d'arrêt de balle
	25	3.2 Spannrolle	3.2 Idler Roller	3.2 Rouleau-guide
	27	3.3 Antriebsrolle	3.3 Drive Roller	3.3 Rouleau moteur
	29	3.4 Getriebeantrieb	3.4 Gear Drive	3.4 Transmission par engrenages
	31	3.5 Befestigung der Schneid- & Bindebaugruppe	3.5 Cut & Tie Mounitng	3.5 Montage de coupe et d'attache
	33	3.6 Schneid- & Bindebaugruppe	3.6 Cut & Tie Assembly	3.6 Ensemble de coupe et d'attache
4	36	Vorstreckerbaugruppe	Dispenser Assembly	Ensemble Distributeur
	37	4.1 Einsatzbaugruppe	4.1 Insert Assembly	4.1 Insert
	39	4.2 Vollständige Verteilerbaugruppe	4.2 Complete Assembly	4.2 Assemblage Complet Du Distributeur
5	41	Gegengewicht	Counter Weight Assembly	Contre Poids
6	43	Extras	Options	Options
	44	6.1 Ballen Matte	6.1 Bale Mat	6.1 Tapis Balle
	46	6.2 Auto Ladung	6.2 Auto Load	6.2 Charge Auto

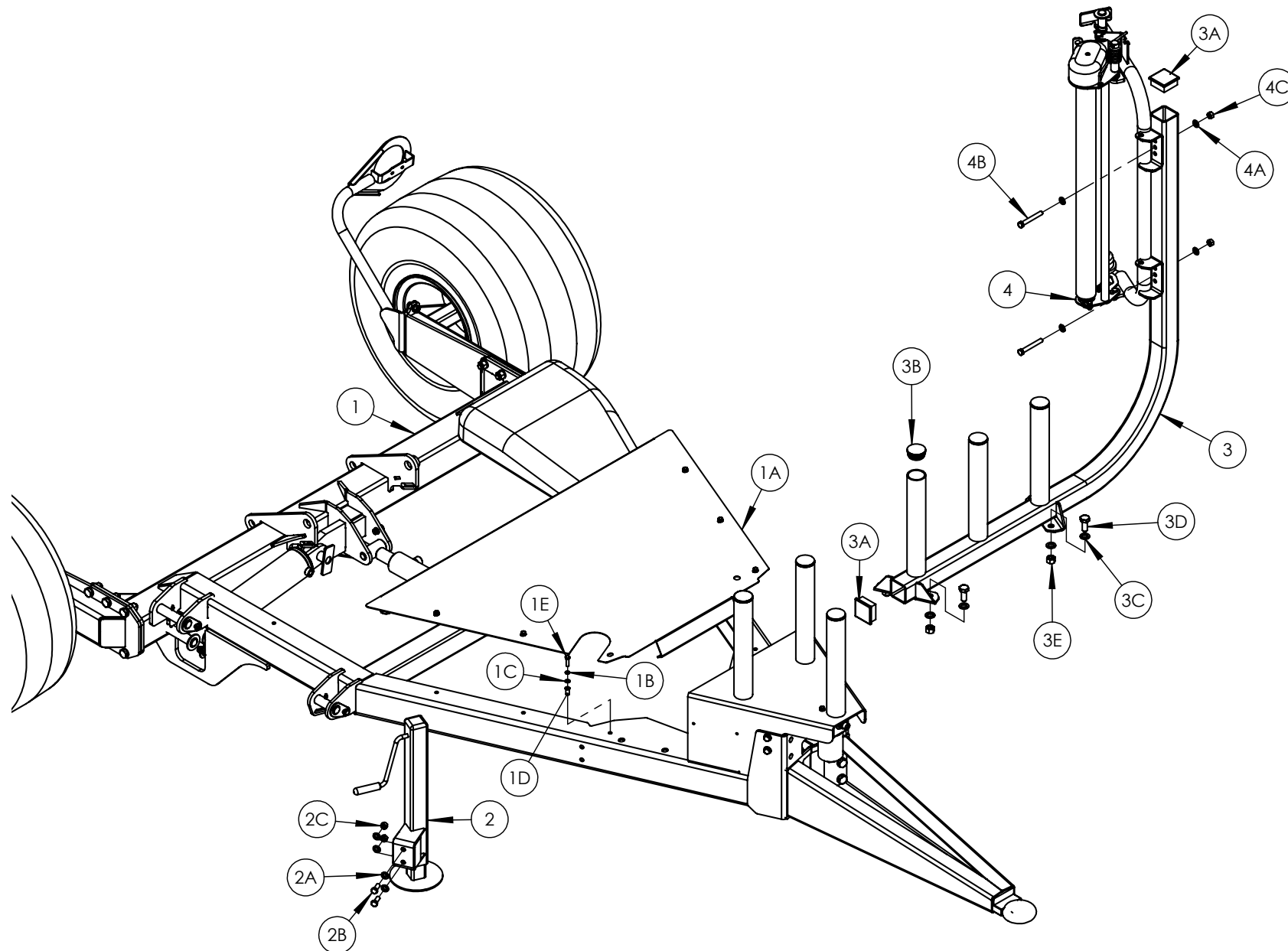




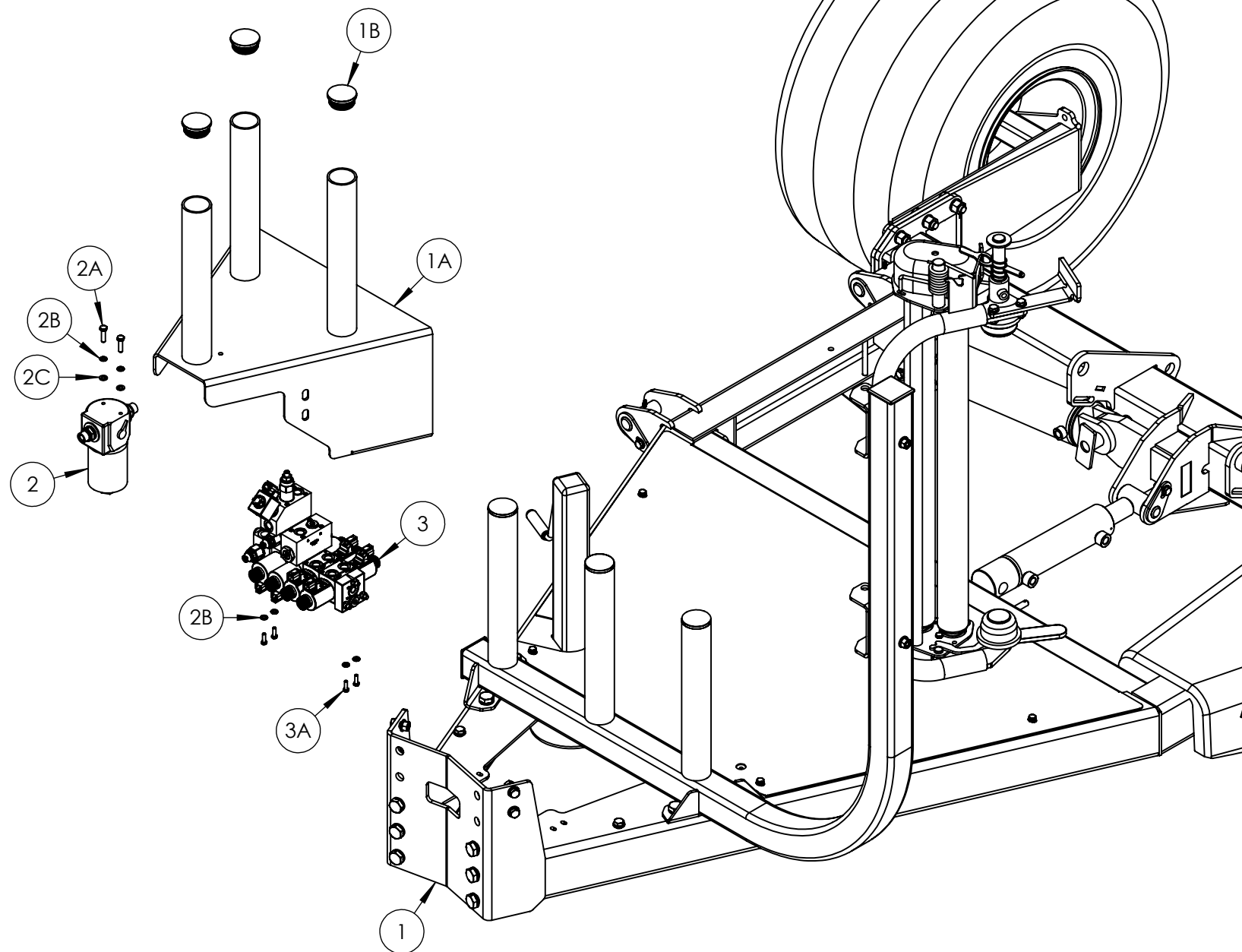
POS. NR.	TEILE NR.	STUCK	BENENNUNG	DESCRIPTION	DESIGNATION	TECHNISCHE ANGABEN
POS. NR.	PART NR.	QUANTITY				TECHNICAL DATA
POS. NO.	PIECE NO.	QUANTITEE				DONNEES TECHNIQUES
1	2011000	1	Fahrgestell	Chassis	Châssis	
2	2011250	1	Feste Achse	Fixed Axle	Essieu fixe	
2A	Z10-02-16	8	Unterlegscheibe	Flat Washer	Rondelle plate	M16
2B	Z26-124S	4	Innensechskantschraube	Hex Set	Vis de régl. Hex	M16 x 50mm
2C	Z23-16	4	Feststellmutter	Locknut	Contre-écrou	M16
3	Z04-04-1070	1	Straßenrad	Road Wheel	Roue de transport	
3A	M22AWNA	5	Radmutter	Wheel Nut	Écrou de roue	M16



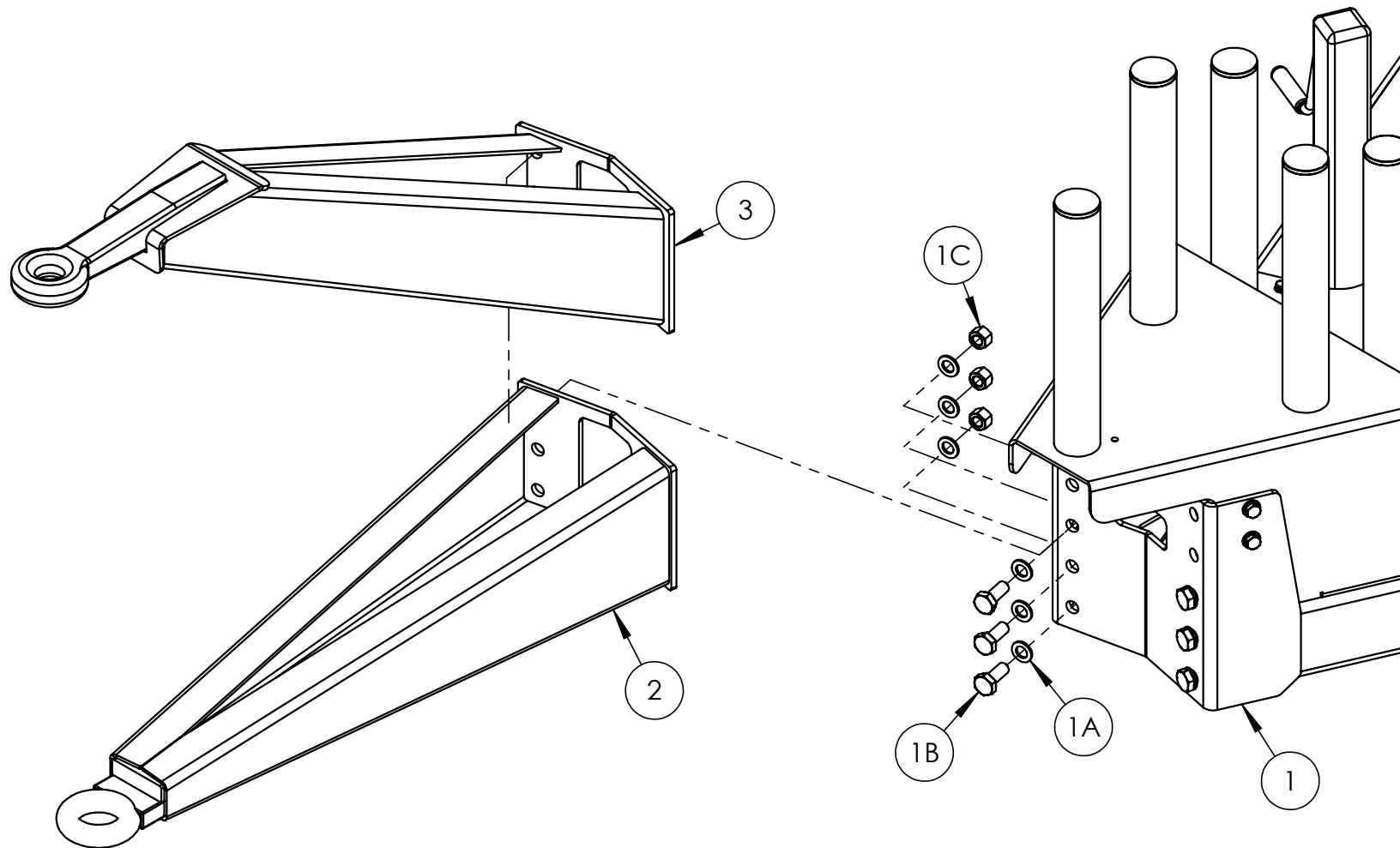
POS. NR. POS. NR. POS. NO.	TEILE NR. PART NR. PIECE NO.	STUCK QUANTITY QUANTITEE	BENENNUNG	DESCRIPTION	DESIGNATION	TECHNISCHE ANGABEN TECHNICAL DATA DONNEES TECHNIQUES
1	2011000	1	Fahrgestell	Chassis	Châssis	
2	2008020	1	Ladezylinder	Loading Cylinder	Vérin de chargement	
2A	2001525	1	Zylinderstift	Cylinder Pin	Axe du vérin	
2B	2001510	1	Gelenkzapfen	Pivot Pin	Axe d'articulation	
2C	Z10-02-10	2	Unterlegscheibe	Flat Washer	Rondelle plate	M10
2D	Z26-0625	1	Innensechskantschraube	Hex Set	Vis de régl. Hex	M10 x 35mm
2E	Z23-10	1	Feststellmutter	Locknut	Contre-écrou	M10
3	AWW00031	1	Lastarmgestell	Load Arm Frame	Bâti du bras de chargement	
3A	Z32-23	3	Rohrschutzkappe	Tube Cap	Bouchon de tube	Ø3"
3B	2001510	1	Gelenkzapfen	Pivot Pin	Axe d'articulation	
3C	Z10-02-10	4	Unterlegscheibe	Flat Washer	Rondelle plate	M10
3D	Z26-0625	2	Innensechskantschraube	Hex Set	Vis de régl. Hex	M10 x 30mm
3E	Z23-10	2	Feststellmutter	Locknut	Contre-écrou	M10
3F	2001520	1	Gelenkzapfen	Pivot Pin	Axe d'articulation	
3G	2001535	1	Sicherheitsstift	Safety Pin	Goupille de sécurité	
3H	34450447	2	Rohrschutzkappe	Tube Cap	Bouchon de tube	
3I	z36-03	2	R Clip	R Clip	R Clip	6mm
4	2014050	1	Ladearmrahmen	Load Arm Frame	Bâti du bras de chargement	
4A	Z03-04-77	1	Gelenkstift	Pivot Pin	Axe d'articulation	
4B	Z03-22-03	1	Klappsplint	Linch Pin	Clavette d'essieu	1/4"
5	AWW00032	1	Ballensperr	Bale Stop	Arrêt de balle	



POS. NR.	TEILE NR.	STUCK	BENENNUNG	DESCRIPTION	DESIGNATION	TECHNISCHE ANGABEN
POS. NR.	PART NR.	QUANTITY				TECHNICAL DATA
POS. NO.	PIECE NO.	QUANTITEE				DONNEES TECHNIQUES
1	2011000	1	Fahrgestell	Chassis	Châssis	
1A	2011302	1	Fahrgestellverkleidung	Chassis Cover	Capot du châssis	
1B	Z12-02-08!	6	Unterlegscheibe	Spring Washer	Rondelle à ressort	M8
1C	Z10-02-08	6	Unterlegscheibe	Flat Washer	Rondelle plate	M8
1D	Z25-08	6	Gewindeniete	Rivnut	Écrou à river	M8
1E	Z26-0415	6	Sechskantmutternsatz	Hex Set	Vis de régl. Hex	M8 x 30mm
2	2001250	1	Heberbaugruppe	Jack Assembly	Cric	
2A	Z10-02-12	4	Unterlegscheibe	Flat Washer	Rondelle plate	M12
2B	Z26-0825	2	Innensechskantschraube	Hex Set	Vis de régl. Hex	M12 x 30mm
2C	Z23-12	2	Feststellmutter	Locknut	Contre-écrou	M12
3	2015101	1	Vorstreckerbefestigung	Dispenser Mounting	Fixation du distributeur	
3A	Z32-086	2	Plastikkappe	Plastic Cap	Capuchon plastique	Int. 70 x 70
3B	Z32-081	3	Plastikkappe	Plastic Cap	Capuchon plastique	Inr. Ø2 3/8"
3C	Z10-02-16	4	Unterlegscheibe	Flat Washer	Rondelle plate	M16
3D	Z26-1225	2	Innensechskantschraube	Hex Set	Vis de régl. Hex	M16 x 40mm
3E	Z23-16	2	Feststellmutter	Locknut	Contre-écrou	M16
4	2005060	1	Vorstreckerbaugruppe	Dispenser Assembly	Ensemble Distributeur	
4A	Z10-02-12	4	Unterlegscheibe	Flat Washer	Rondelle plate	M12
4B	Z26-091B	2	Sechskantschraube	Hex Bolt	Boulon Hex	M12 x 90mm
4C	Z23-12	2	Feststellmutter	Locknut	Contre-écrou	M12



POS. NR. POS. NR. POS. NO.	TEILE NR. PART NR. PIECE NO.	STUCK QUANTITY QUANTITEE	BENENNUNG	DESCRIPTION	DESIGNATION	TECHNISCHE ANGABEN TECHNICAL DATA DONNEES TECHNIQUES
1	2011000	1	Fahrgestell	Chassis	Châssis	
1A	2011261	1	Ventilbefestigungsprofil	Valve Mounting Profile	Profilé de montage de vanne	
1B	Z32-081	6	Plastikkappe	Plastic Cap	Capuchon plastique	
2	1308070	1	Ölfilter	Oil Filter	Filtre à huile	
2A	Z26-041S	24	Innensechskantschraube	Hex Set	Vis de régl. Hex	M8x 30mm
2B	Z12-02-08!	12	Unterlegscheibe	Spring Washer	Rondelle à ressort	M10
2C	Z10-02-08	22	Unterlegscheibe	Flat Washer	Rondelle plate	M8
3	2008250	1	Steuerventil	Control Valve	Vanne de régulation	
3A	Z26-040S!	4	Innensechskantschraube	Hex Set	Vis de régl. Hex	M8 x 25mm

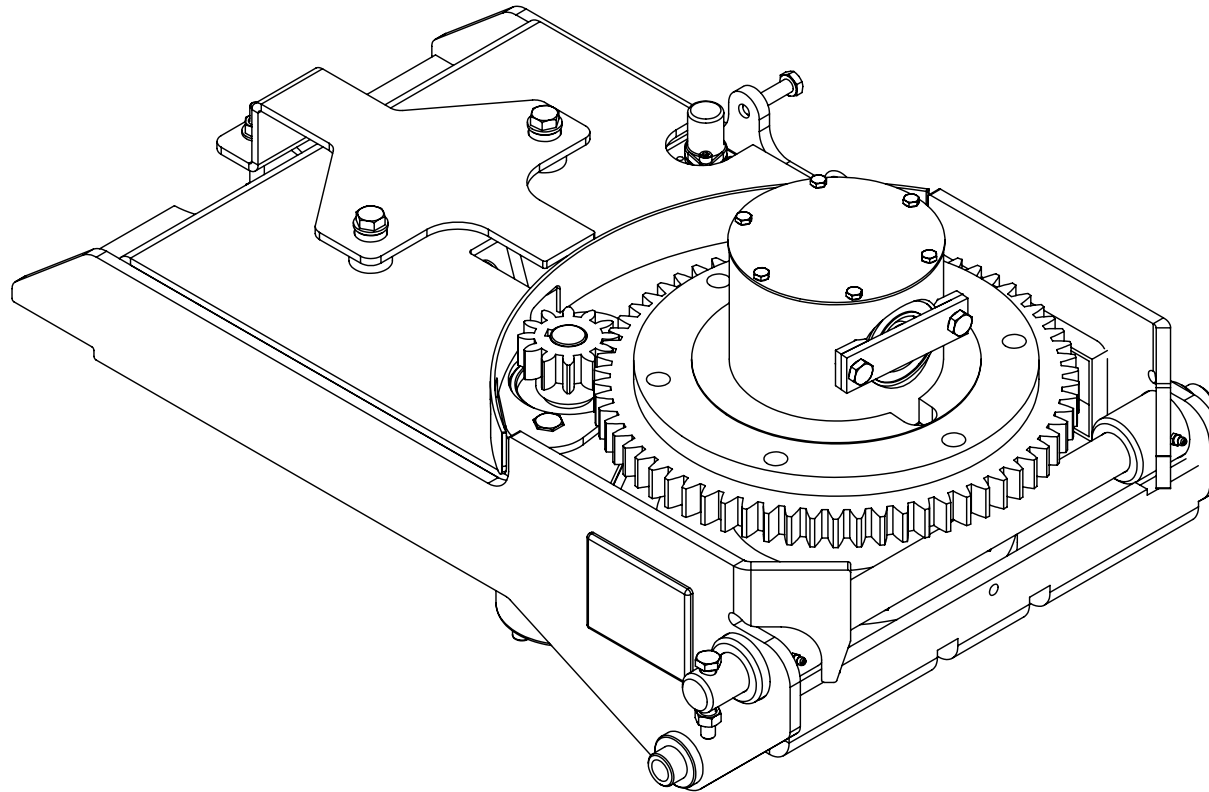


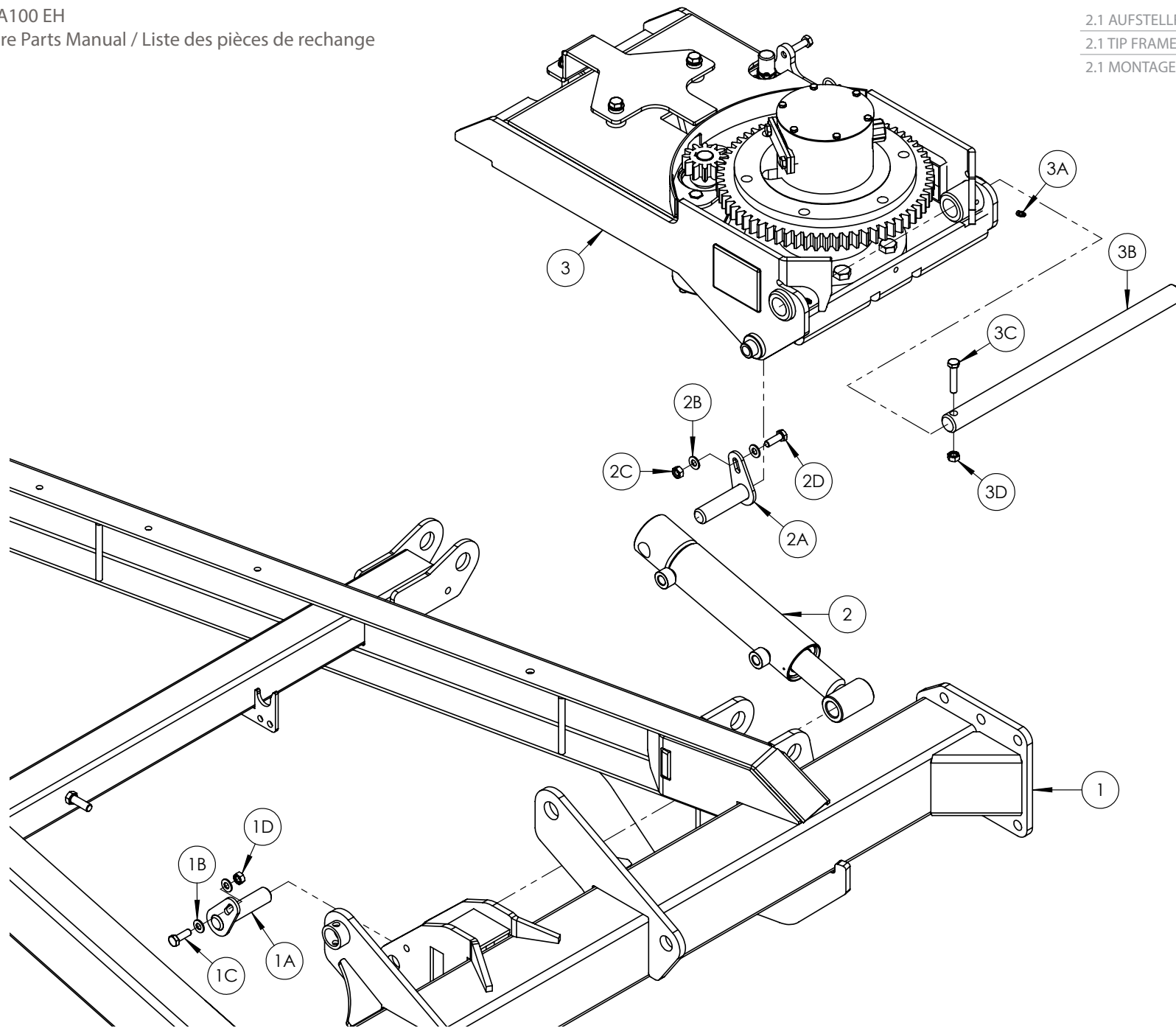
POS. NR.	TEILE NR.	STUCK	BENENNUNG	DESCRIPTION	DESIGNATION	TECHNISCHE ANGABEN
POS. NR.	PART NR.	QUANTITY				TECHNICAL DATA
POS. NO.	PIECE NO.	QUANTITEE				DONNEES TECHNIQUES
1	2011000	1	Fahrgestell	Chassis	Châssis	
1A	Z10-02-16	12	Unterlegscheibe	Flat Washer	Rondelle plate	M16
1B	Z26-122S	6	Innensechskantschraube	Hex Set	Vis de régl. Hex	M16 x 40mm
1C	Z23-16	6	Feststellmutter	Locknut	Contre-écrou	M16
2	2001100	1*	Standardanhängevorrichtung	Standard Hitch	Attelage standard	
3	2001110	1*	Hohe Anhängervorrichtung	High Hitch	Attelage haut	
			* Marktabhängig	* Market Dependant	* En fonction du marché	

Tanco Autowrap - A100 EH

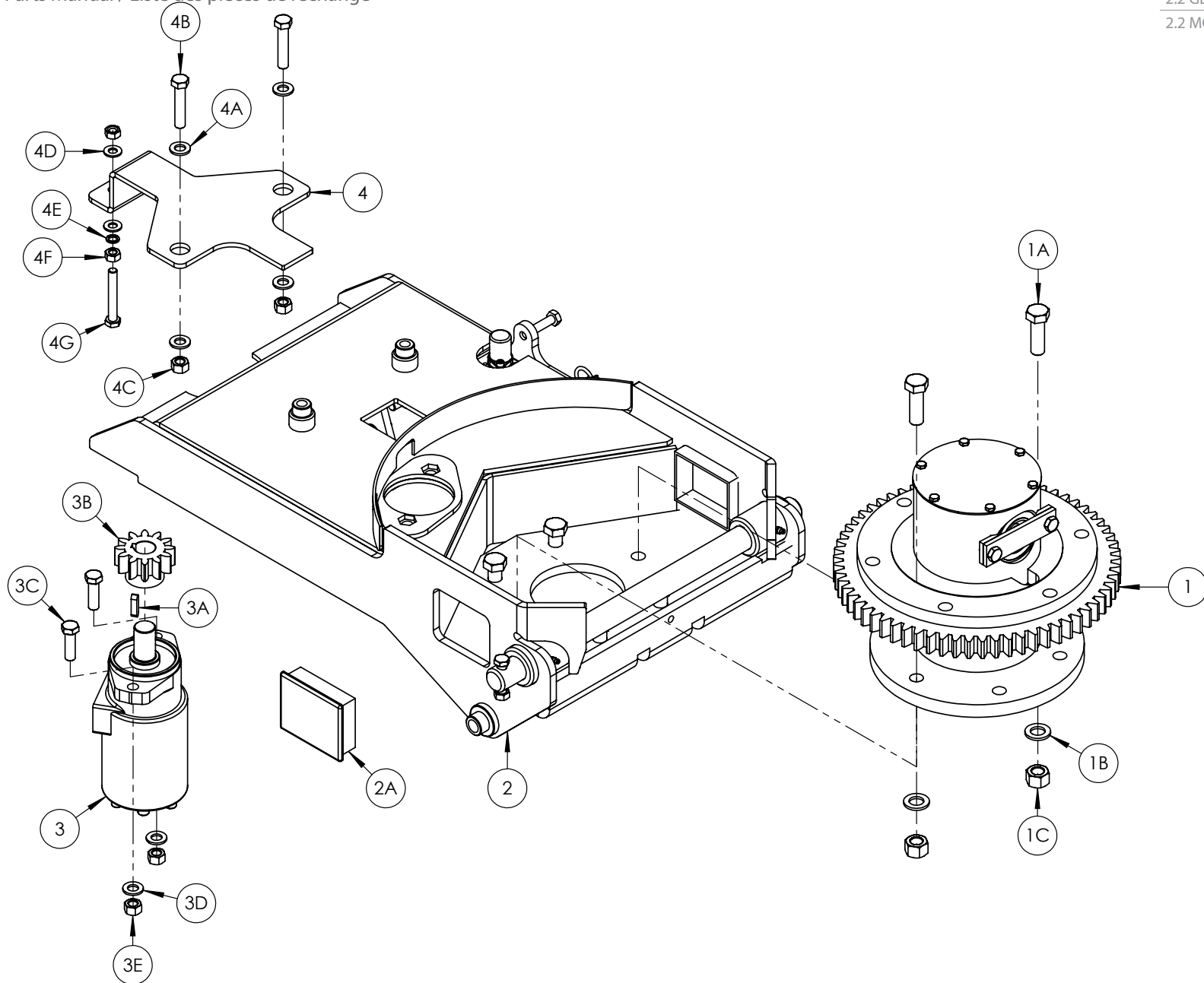
Ersatzteilliste / Spare Parts Manual / Liste des pièces de rechange







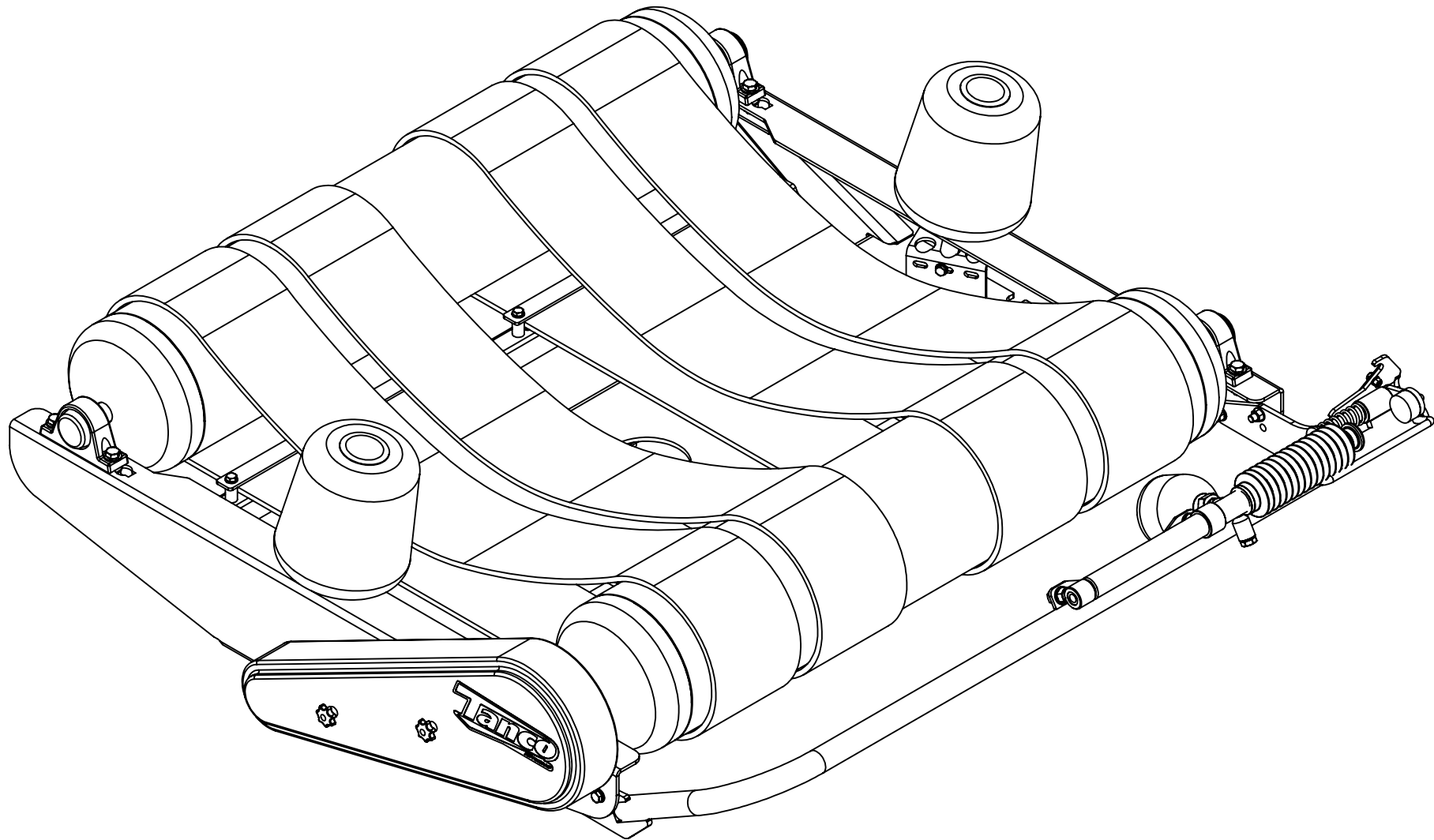
POS. NR.	TEILE NR.	STUCK	BENENNUNG	DESCRIPTION	DESIGNATION	TECHNISCHE ANGABEN
POS. NR.	PART NR.	QUANTITY				TECHNICAL DATA
POS. NO.	PIECE NO.	QUANTITEE				DONNEES TECHNIQUES
1	2001000	1	Fahrgestell	Chassis	Châssis	
1A	2001530	1	Zylinderstift	Cylinder Pin	Axe du vérin	
1B	Z10-02-10	2	Unterlegscheibe	Flat Washer	Rondelle plate	M10
1C	Z26-062S	1	Innensechskantschraube	Hex Set	Vis de régl. Hex	M10 x 30mm
1D	Z23-10	1	Feststellmutter	Locknut	Contre-écrou	M10 x 30mm
2	2008010	1	Aufstellzylinder	Tip Cylinder	Vérin de basculement	
2A	2001540	1	Zylinderstift	Cylinder Pin	Axe du vérin	
2B	Z10-02-10	2	Unterlegscheibe	Flat Washer	Rondelle plate	M10
2C	Z26-062S	1	Innensechskantschraube	Hex Set	Vis de régl. Hex	M10 x 30mm
2D	Z23-10	1	Feststellmutter	Locknut	Contre-écrou	M10 x 30mm
3	2002000	1	Aufstellrahmen	Tip Frame	Bâti de basculement	
3A	34060800	2	Schmiernippel	Grease Nipple	Raccord graisseur	M8
3B	2001550	1	Gelenkwelle	Pivot Shaft	Axe pivot	
3C	Z26-066S	1	Innensechskantschraube	Hex Set	Vis de régl. Hex	M10 x 50mm
3D	Z23-10	1	Feststellmutter	Locknut	Contre-écrou	M10

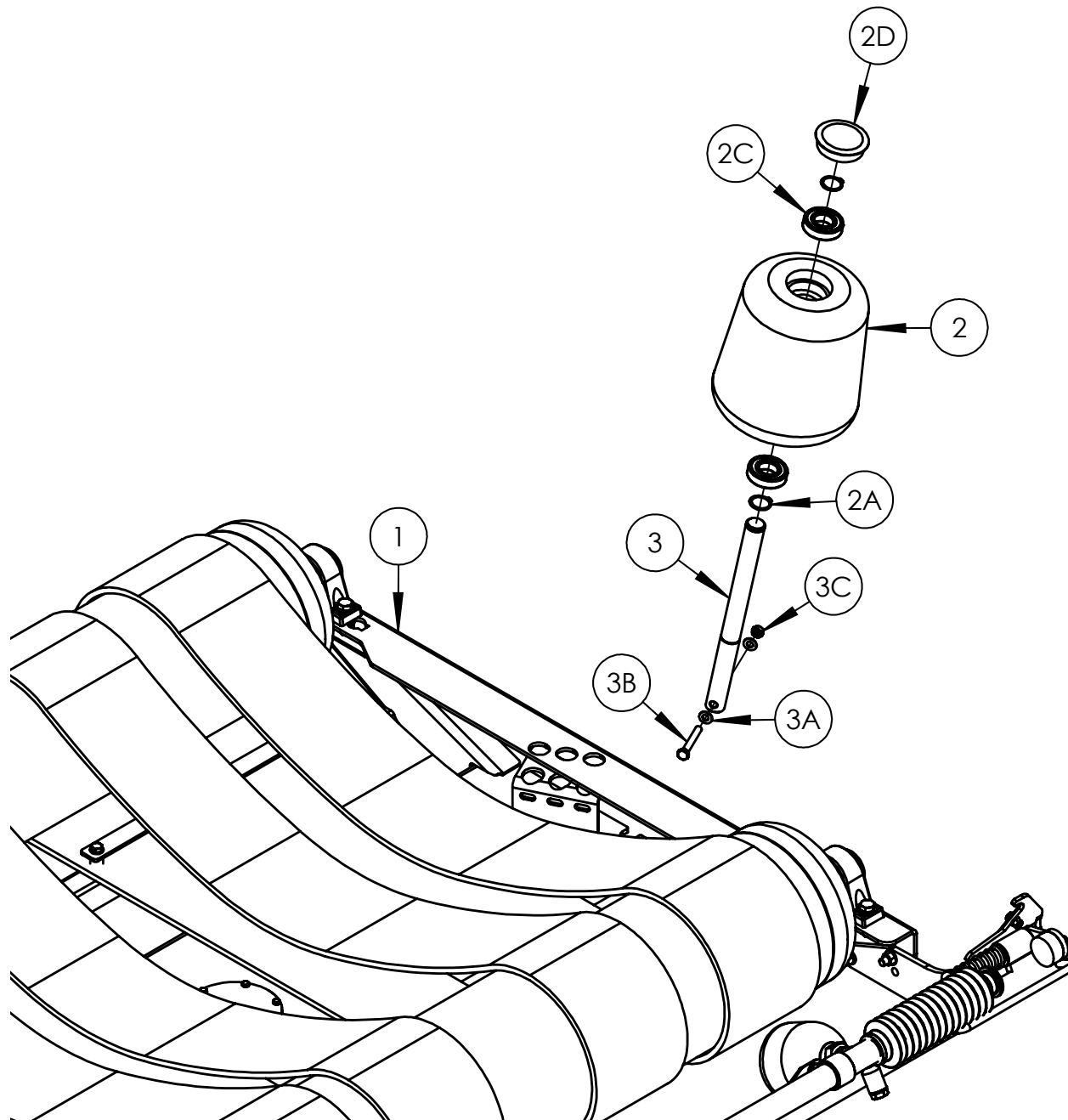


POS. NR. POS. NR. POS. NO.	TEILE NR. PART NR. PIECE NO.	STUCK QUANTITY QUANTITEE	BENENNUNG	DESCRIPTION	DESIGNATION	TECHNISCHE ANGABEN TECHNICAL DATA DONNEES TECHNIQUES
1	2003500	1	Getriebeeinheit	Gear Assembly	Engrenage	
1A	Z26-125B	6	Sechskantschraube	Hex Bolt	Boulon Hex	M16 x 50mm
1B	Z10-02-16	6	Unterlegscheibe	Flat Washer	Rondelle plate	M16
1C	Z23-16	6	Feststellmutter	Locknut	Contre-écrou	M16
2	2002000	1	Aufstellrahmen	Tip Frame	Bâti de basculement	
2A	Z32-114	2	Plastikeinsatz	Plastic Insert	Insert plastique	100 x 80mm
3	2008150	1	Motor	Motor	Moteur	
3A	34270111	1	Passfeder	Key Steel	Clavette acier	8 x 7 x 30mm
3B	2003525	1	Motorgetriebe	Motor Gear	Engrenage moteur	12T
3C	Z26-084	2	Sechskantschraube	Hex Bolt	Boulon Hex	M12 x 40mm
3D	Z10-02-12	4	Unterlegscheibe	Flat Washer	Rondelle plate	M12
3E	Z23-12	2	Feststellmutter	Locknut	Contre-écrou	M12
4	2001303	1	Auslöseprofil	Trip Profile	Profilé de déclenchement	
4A	Z10-02-12	4	Unterlegscheibe	Flat Washer	Rondelle plate	M12
4B	Z26-0885	2	Innensechskantschraube	Hex Set	Vis de régl. Hex	M12 x 60mm
4C	Z10-02-10	2	Unterlegscheibe	Flat Washer	Rondelle plate	M10
4D	Z12-02-10	1	Federscheibe	Spring Washer	Rondelle à ressort	M10
4E	Z18-10	1	Sechskantmutter, glatt	Plain Hex Nut	Écrou plein Hex	M10
4F	Z26-068B	1	Sechskantschraube	Hex Bolt	Boulon Hex	M10 x 70mm

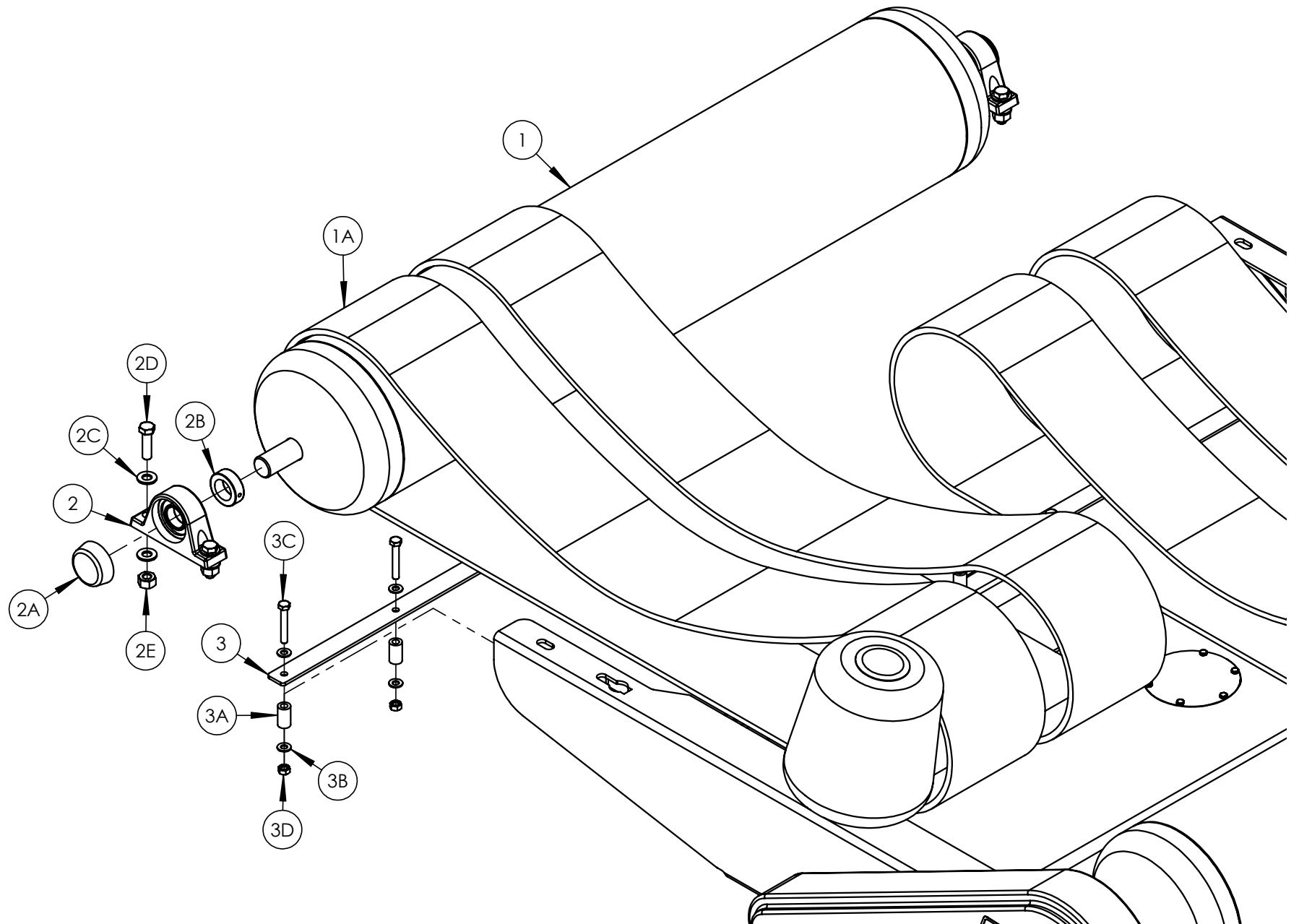
Tanco Autowrap - A100 EH

Ersatzteilliste / Spare Parts Manual / Liste des pièces de rechange

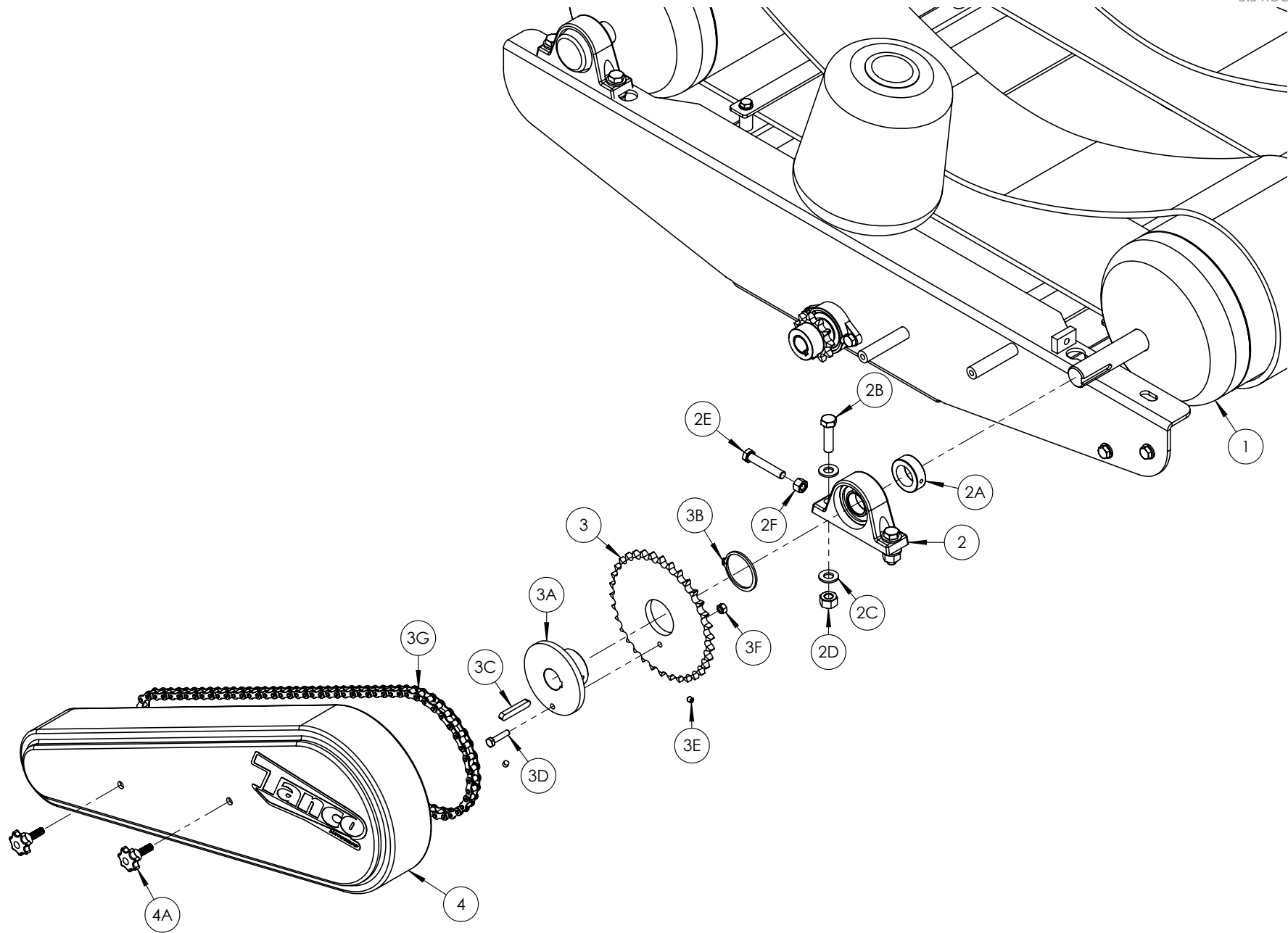




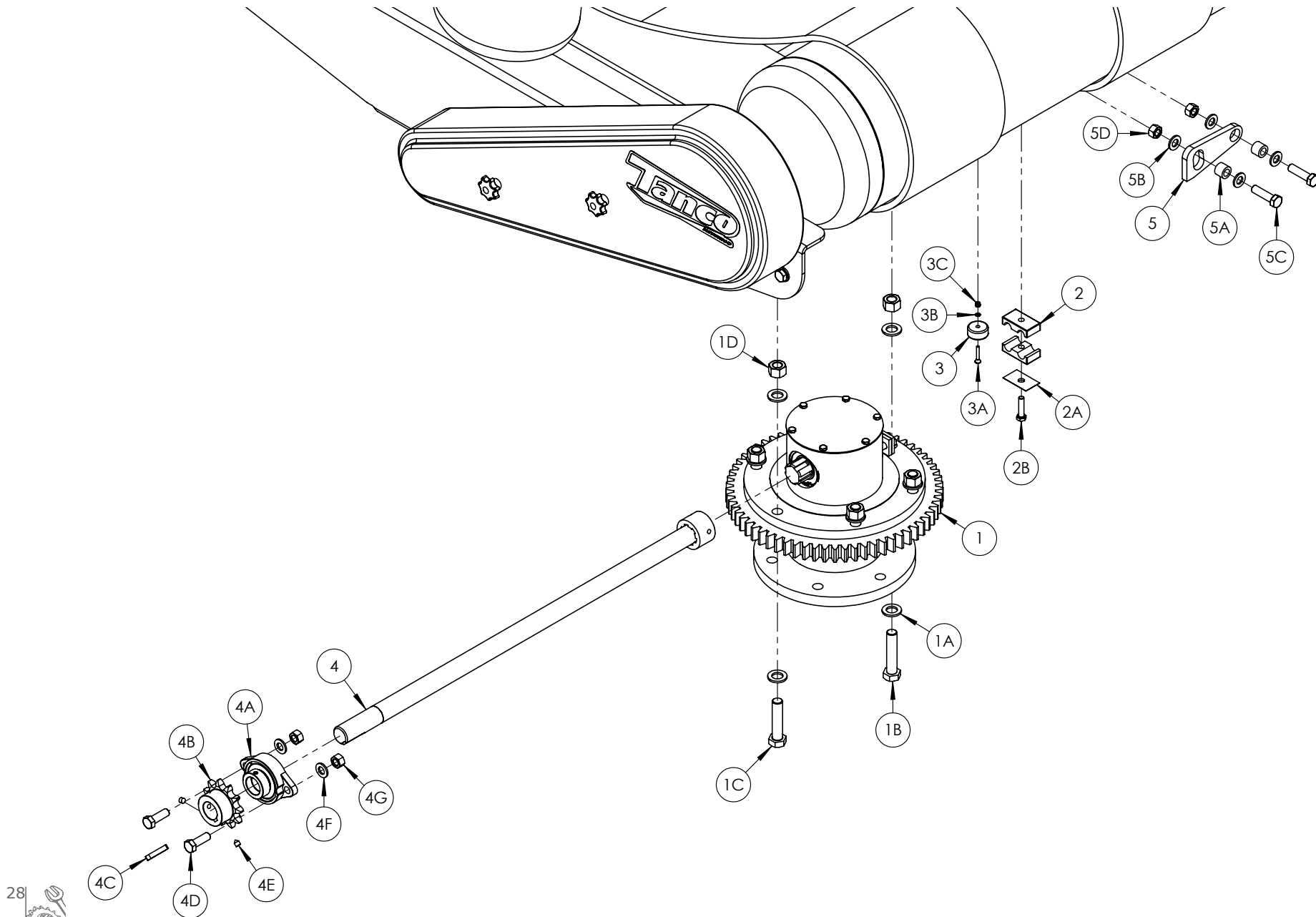
POS. NR.	TEILE NR.	STUCK	BENENNUNG	DESCRIPTION	DESIGNATION	TECHNISCHE ANGABEN
POS. NR.	PART NR.	QUANTITY				TECHNICAL DATA
POS. NO.	PIECE NO.	QUANTITEE				DONNEES TECHNIQUES
1	2003000	1	Drehtisch	Turntable	Table pivotante	
2	34340141	1	Plastikrolle	Plastic Roller	Rouleau plastique	
2A	34240708	2	Seegerring	Circlip	Circlip	A30
2B	34320508	2	Lager	Bearing	Palier	6206 2RS
2C	34450447	1	Plastikkappe	Plastic Cap	Capuchon plastique	
3	34130258	1	Rollenwelle	Roller Shaft	Arbre du rouleau	
3A	Z10-02-10	2	Unterlegscheibe	Flat Washer	Rondelle plate	M10
3B	Z26-0685	1	Innensechskantschraube	Hex Set	Vis de régl. Hex	M10 x 70mm
3C	Z23-10	1	Feststellmutter	Locknut	Contre-écrou	M10



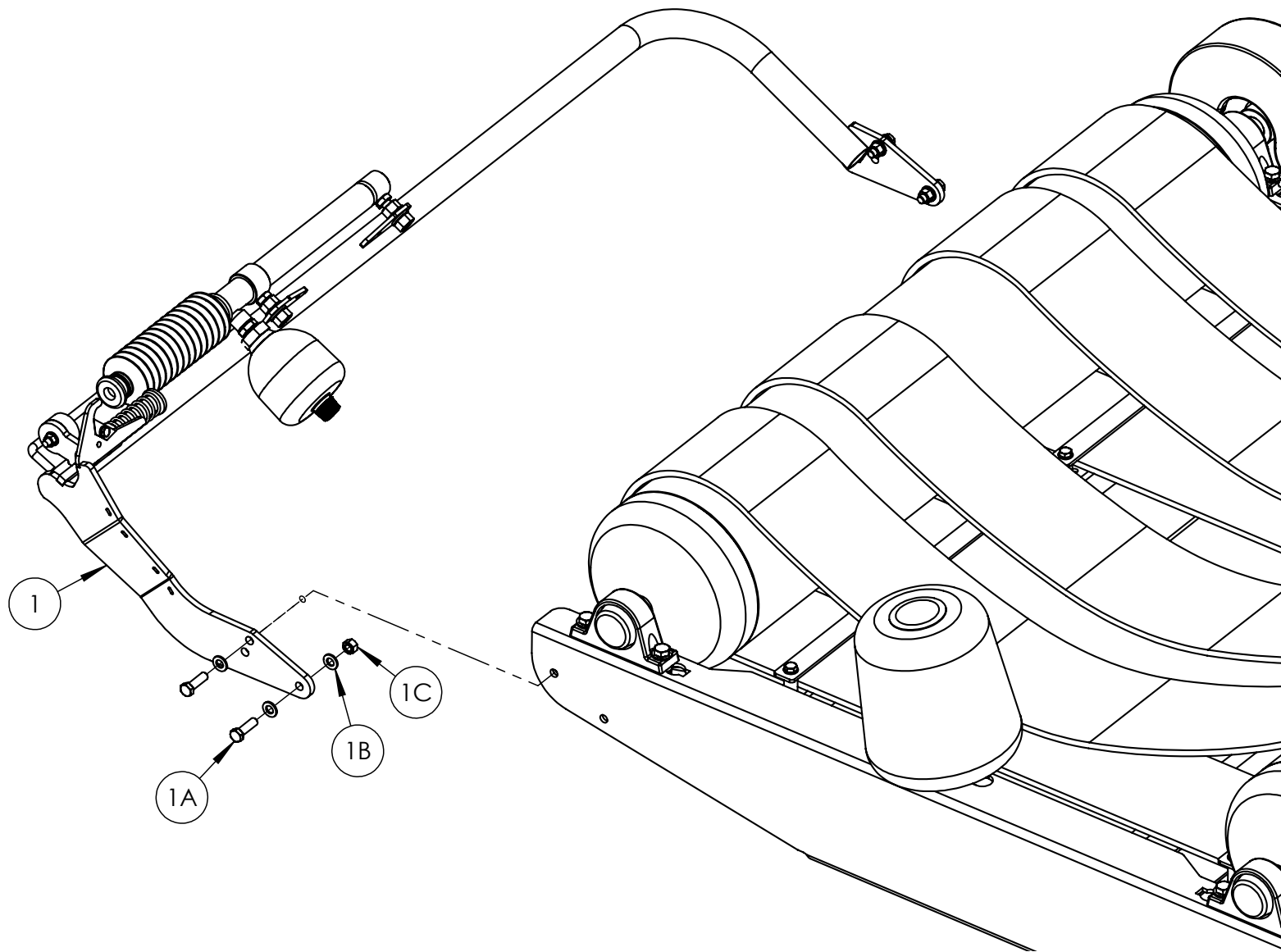
POS. NR.	TEILE NR.	STUCK	BENENNUNG	DESCRIPTION	DESIGNATION	TECHNISCHE ANGABEN
POS. NR.	PART NR.	QUANTITY				TECHNICAL DATA
POS. NO.	PIECE NO.	QUANTITEE				DONNEES TECHNIQUES
1	2003110	1	Spannrolle	Idler Roller	Rouleau-guide	
1A	Z05-02-ILS	3	Riemen	Belt	Courroie	
2	Z06-485	2	Lager	Bearing	Palier	35mm
2A	Z06-485-CAP	2	Lagerdeckel	Bearing Cap	Couvercle de palier	
2B	Z06-485-C	2	Spannring	Locking Collar	Bague de blocage	35mm
2C	Z10-02-14	8	Unterlegscheibe	Flat Washer	Rondelle plate	M14
2D	Z26-104B	4	Innensechskantschraube	Hex Set	Vis de régl. Hex	M14 x 50mm
2E	Z23-14	4	Feststellmutter	Locknut	Contre-écrou	M14
3	2003105	1	Riemenführung	Belt Guide	Guide-courroie	
3A	2003106	2	Distanzstück	Spacer	Entretoise	
3B	Z10-02-10	4	Unterlegscheibe	Flat Washer	Rondelle plate	M10
3C	Z26-0671B	2	Innensechskantschraube	Hex Set	Vis de régl. Hex	M10 x 65mm
3D	Z23-10	2	Feststellmutter	Locknut	Contre-écrou	M10



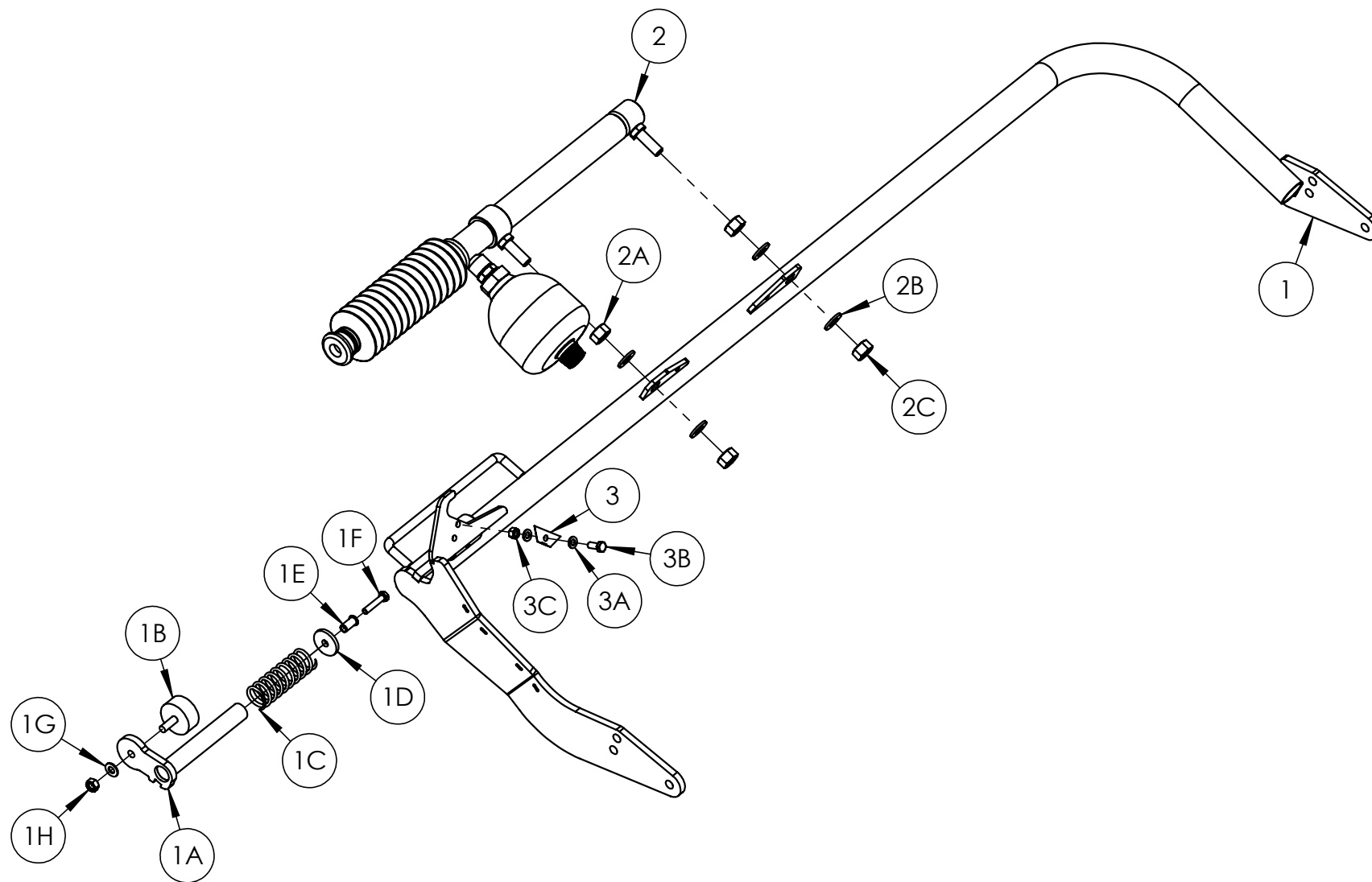
POS. NR.	TEILE NR.	STUCK	BENENNUNG	DESCRIPTION	DESIGNATION	TECHNISCHE ANGABEN
POS. NR.	PART NR.	QUANTITY				TECHNICAL DATA
POS. NO.	PIECE NO.	QUANTITEE				DONNEES TECHNIQUES
1	2003100	1	Antriebsrolle	Drive Roller	Rouleau moteur	
2	Z06-485	2	Lager	Bearing	Palier	35mm
2A	Z06-485-C	2	Spannring	Locking Collar	Bague de blocage	35mm
2B	Z26-104B	4	Innensechskantschraube	Hex Set	Vis de régl. Hex	M14 x 50mm
2C	Z10-02-14	8	Unterlegscheibe	Flat Washer	Rondelle plate	M14
2D	Z23-14	4	14 mm Feststellmutter	14mm Locknut	Contre-écrou 14mm	M14
2E	Z26-089S	1	Innensechskantschraube	Hex Set	Vis de régl. Hex	M12 x 70mm
2F	Z18-10	1	Sechskantmutter, glatt	Plain Hex Nut	Écrou plein Hex	M10
3	2003212	1	Kettenrad	Sprocket	Pignon	28T
3A	2003211	1	Kettenradnabe	Sprocket Hub	Moyeu de pignon	
3B	2003213	1	Seegerring	Cir Clip	Circlip	57mm Ext.
3C	2003217	1	Passfeder	Key Steel	Clavette acier	10 x 8 x 55mm
3D	Z26-042B	1	Sechskantschraube	Hex Bolt	Boulon Hex	M8 x 35mm
3E	Z28-008	2	Gewindestift	Grub Screw	Vis sans tête	M8
3F	Z23-08	1	Feststellmutter	Locknut	Contre-écrou	M8
3G	Z09-AW-58	1	Antriebskette	Drive Chain	Chaîne de transmission	3/4" (84 Links)
4	2003220	1	Kettendeckel	Chain Cover	Protection de la chaîne	
4A	Z49-95	2	Handbefestigung	Hand Fastener	Vis manuelle	M10 x 30



POS. NR.	TEILE NR.	STUCK	BENENNUNG	DESCRIPTION	DESIGNATION	TECHNISCHE ANGABEN
POS. NR.	PART NR.	QUANTITY				TECHNICAL DATA
POS. NO.	PIECE NO.	QUANTITEE				DONNEES TECHNIQUES
1	2003500	1	Getriebeeinheit	Gear Assembly	Engrenage	
1A	Z10-02-16	12	Unterlegscheibe	Flat Washer	Rondelle plate	M16
1B	Z26-129B	5	Innensechskantschraube	Hex Set	Vis de régl. Hex.	M16 x 75mm
1C	Z26-128S	1	Innensechskantschraube	Hex Set	Vis de régl. Hex.	M16 x 70mm
1D	Z23-16	6	Feststellmutter	Locknut	Contre-écrou	M16
2	Z01-24-26	1	Rohrschelle (Set)	Pipe Clamp (Set)	Collier de serrage (kit)	
2A	Z01-24-28	1	Rohrschellenplatte	Pipe Clamp Plate	Plaque de collier de serrage	
2B	Z26-042B	1	Innensechskantschraube	Hex Set	Vis de régl. Hex	M8 x 35mm
3	D60430	1	Sensormagnet	Sensor Magnet	Aimant de capteur	
3A	Z13-5-04X30	1	C.S. Schraube	C.S. Bolt	Boulon C.S.	M4 x 30mm
3B	Z10-02-04	1	Unterlegscheibe	Flat Washer	Rondelle plate	M4
3C	Z23-04	1	Feststellmutter	Locknut	Contre-écrou	M4
4	2003200	1	Antriebswelle	Drive Shaft	Arbre moteur	
4A	Z06-051	1	Lager	Bearing	Palier	SALF 206
4B	2003210	1	Antriebskettenrad	Drive Sprocket	Pignon d'entraînement	
4C	2003216	1	Passfeder	Key Steel	Clavette acier	8 x 7 x 44mm
4D	Z26-083S	2	Innensechskantschraube	Hex Set	Vis de régl. Hex	M12 x 35mm
4E	Z28-008	2	Gewindestift	Grub Screw	Vis sans tête	M8
4F	Z10-02-12	2	Unterlegscheibe	Flat Washer	Rondelle plate	M12
4G	Z23-12	2	Feststellmutter	Locknut	Contre-écrou	M12
5	2001306	1	Anschlagprofil	Stop Profile	Profilé de butée	
5A	2001307	2	Distanzstück	Spacer	Entretoise	
5B	Z10-02-12	4	Unterlegscheibe	Flat Washer	Rondelle plate	M12
5C	Z26-085S	2	Innensechskantschraube	Hex Set	Vis de régl. Hex	M12 x 45mm
5D	Z23-12	2	Feststellmutter	Locknut	Contre-écrou	M12



POS. NR.	TEILE NR.	STUCK	BENENNUNG	DESCRIPTION	DESIGNATION	TECHNISCHE ANGABEN
POS. NR.	PART NR.	QUANTITY				TECHNICAL DATA
POS. NO.	PIECE NO.	QUANTITEE				DONNEES TECHNIQUES
1	2003060	1	Schneid- & Binderahmen	Cut & Tie Frame	Bâti de coupe et d'attache	
1A	Z26-084S	4	Innensechskantschraube	Hex Set	Vis de régl. Hex	M12 x 40mm
1B	Z10-02-12	8	Unterlegscheibe	Flat Washer	Rondelle plate	M12
1C	Z23-12	4	Feststellmutter	Locknut	Contre-écrou	M12

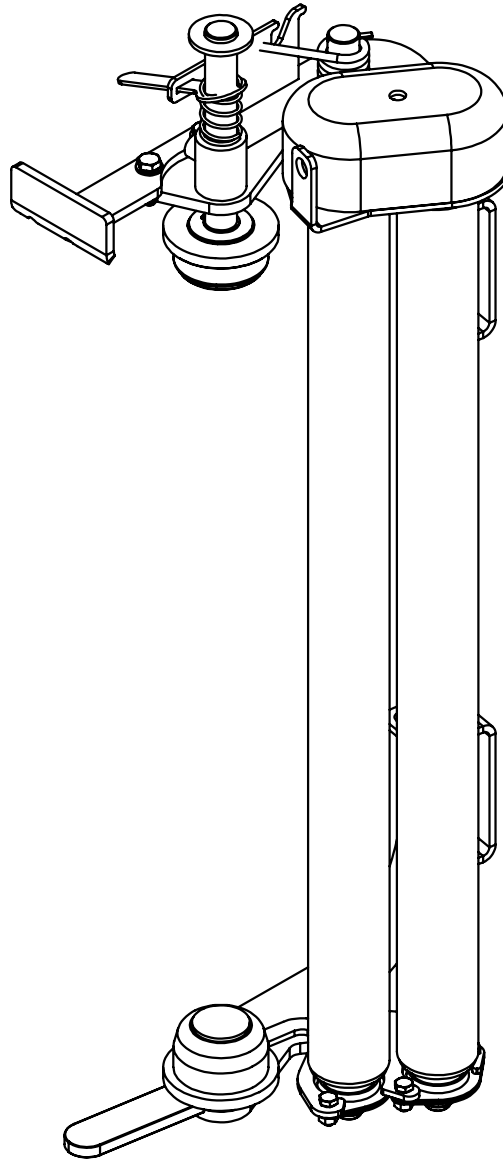


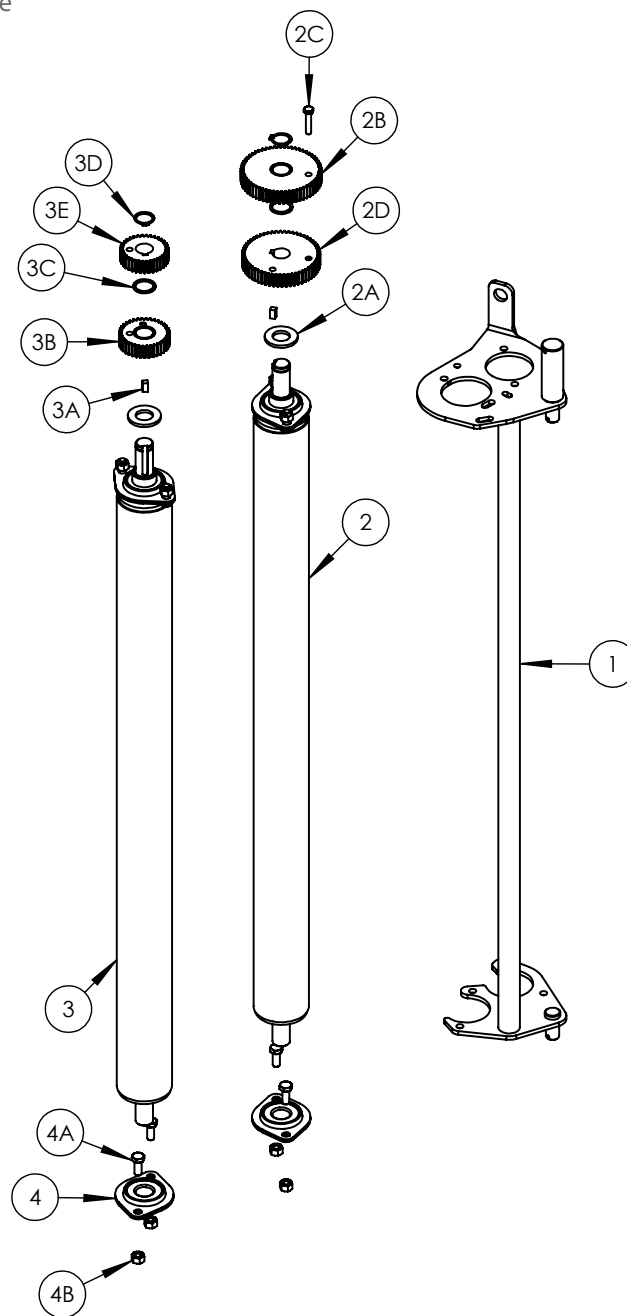
POS. NR.	TEILE NR.	STUCK	BENENNUNG	DESCRIPTION	DESIGNATION	TECHNISCHE ANGABEN
POS. NR.	PART NR.	QUANTITY				TECHNICAL DATA
POS. NO.	PIECE NO.	QUANTITEE				DONNEES TECHNIQUES
1	2003060	1	Schneid- & Binderahmen	Cut & Tie Frame	Bâti de coupe et d'attache	
1A	2003070	1	Raststift	Plunger Pin	Goupille	
1B	Z40-28	1	Gummipuffer	Rubber Buffer	Tampon caoutchouc	Ø50 x 22mm
1C	Z07-49	1	Druckfeder	Compression Spring	Ressort à compression	
1D	WD623-071	1	Ring	Collar	Collier	
1E	Z25-08	1	Federscheibe	Rivnut	Rondelle à ressort	M8
1F	Z26-043B	1	Innensechskantschraube	Hex Set	Vis de régl. Hex	M8 x 40mm
1G	Z10-02-10	1	Unterlegscheibe	Flat Washer	Rondelle plate	M10
1H	Z23-10	1	Feststellmutter	Locknut	Contre-écrou	M10
2	2008030	1	Schneid- & Bindezylinder	Cut & Tie Cylinder	Vérin de coupe et d'attache	
2A	Z18-14	2	Sechskantmutter, glatt	Plain Hex Nut	Écrou plein Hex	M14
2B	Z10-02-14	4	Unterlegscheibe	Flat Washer	Rondelle plate	M14
2C	Z23-14	2	Feststellmutter	Locknut	Contre-écrou	M14
3	1004008	1	Klinge	Blade	Lame	
3A	Z10-02-08	2	Unterlegscheibe	Flat Washer	Rondelle plate	M8
3B	Z26-039S	4	Innensechskantschraube	Hex Set	Vis de régl. Hex	M8 x 20mm
3C	Z23-08	2	Feststellmutter	Locknut	Contre-écrou	M8

Tanco Autowrap - A100 EH

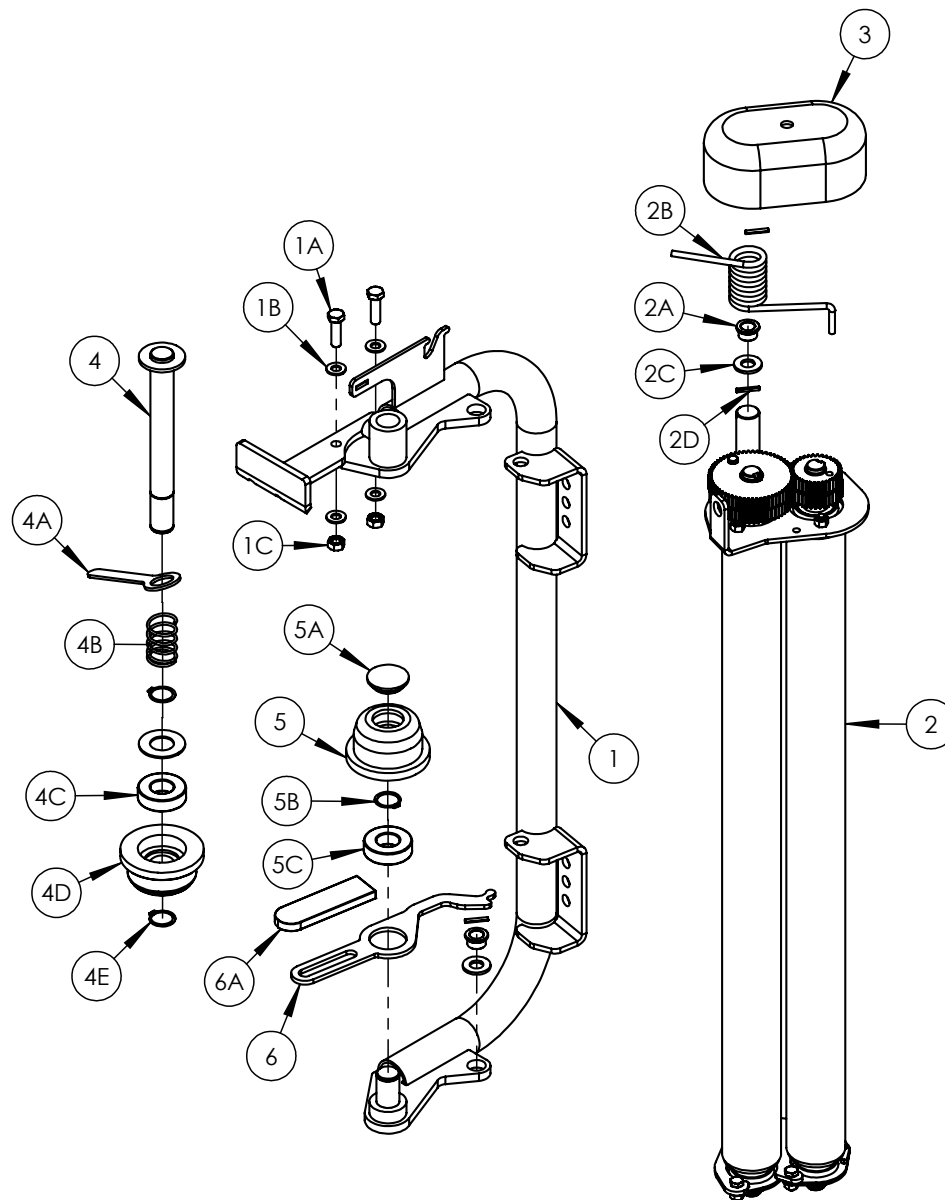
Ersatzteilliste / Spare Parts Manual / Liste des pièces de rechange



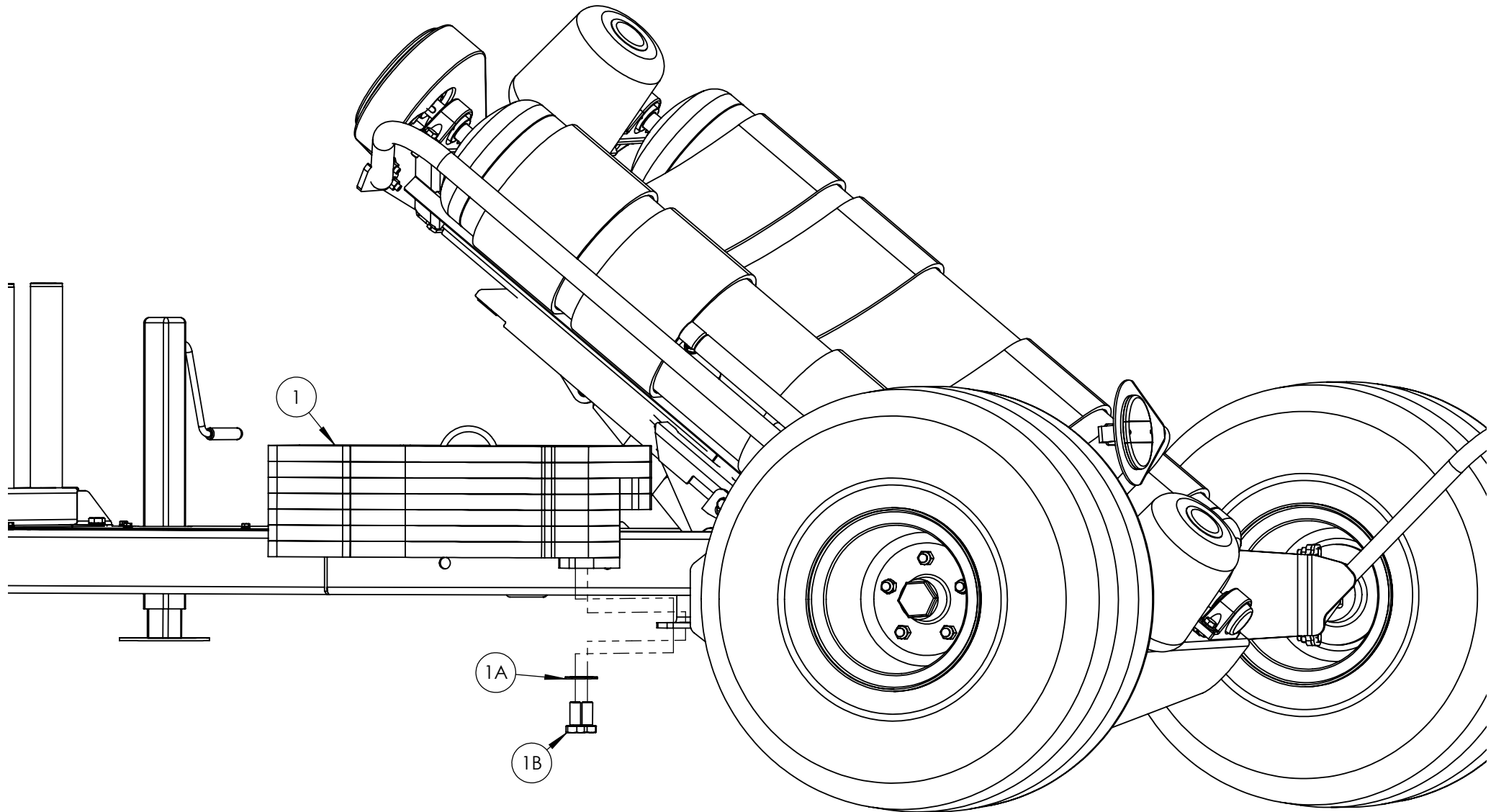




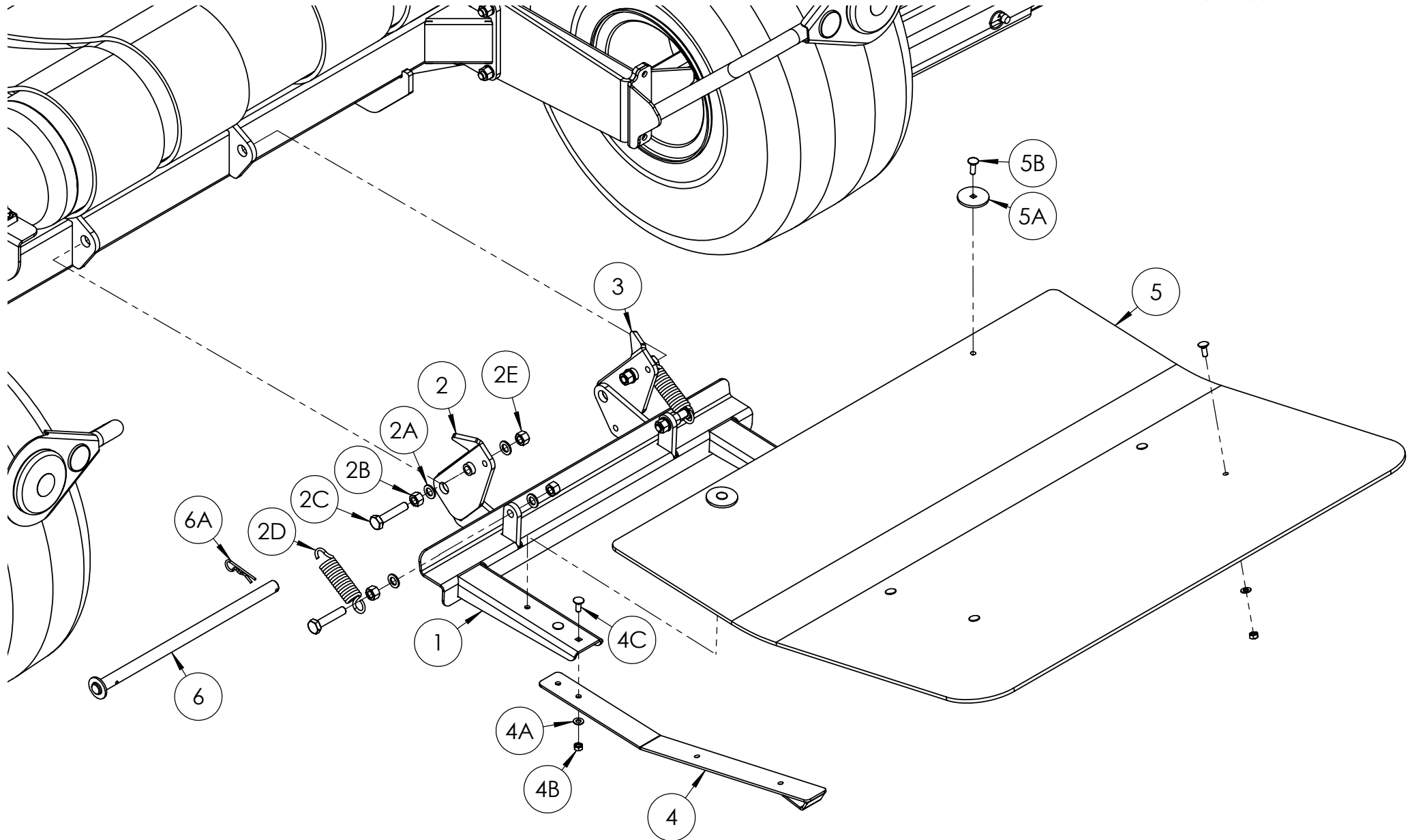
POS. NR. POS. NR. POS. NO.	TEILE NR. PART NR. PIECE NO.	STUCK QUANTITY QUANTITEE	BENENNUNG	DESCRIPTION	DESIGNATION	TECHNISCHE ANGABEN TECHNICAL DATA DONNEES TECHNIQUES
1	1115150	1	RA-Rollen-Montagerahmen	RA Roller Mounting Frame	Bâti de fixation du rouleau RA	
2	1305120	1	Innere Rolle	Inner Roller	Rouleau interne	
2A	Z10-02-20	2	Unterlegscheibe	Flat Washer	Rondelle plate	M20
2B	1305101	1	Zahnrad	Gear	Engrenage	60T
2C	Z26-022B	1	Sechskantschraube	Hex Bolt	Boulon Hex	M6 x 30mm
2D	1305103	1	Zahnrad	Gear	Engrenage	58T
3	1305121	1	Äußere Rolle	Outer Roller	Rouleau externe	
3A	1305123	2	Kodierstift	Key Steel	Clavette acier	6 x 6mm (12mm Long)
3B	1305104	1	Zahnrad	Gear	Engrenage	37 T
3C	1305115	2	Kupferne Unterlegscheibe	Copper Washer	Rondelle de cuivre	M21
3D	Z28-520	2	Sicherungsring	Cir Clip	Circlip	A20
3E	1305102	1	Zahnrad	Gear	Engrenage	35T
4	1305122	4	Lager	Bearing	Palier	SLFL 20A
4A	Z26-039S	8	Sechskantmutterersatz	Hex Set	Vis de régl. Hex	M8 x 20mm
4B	Z23-08	8	Feststellmutter	Locknut	Contre-écrou	M8



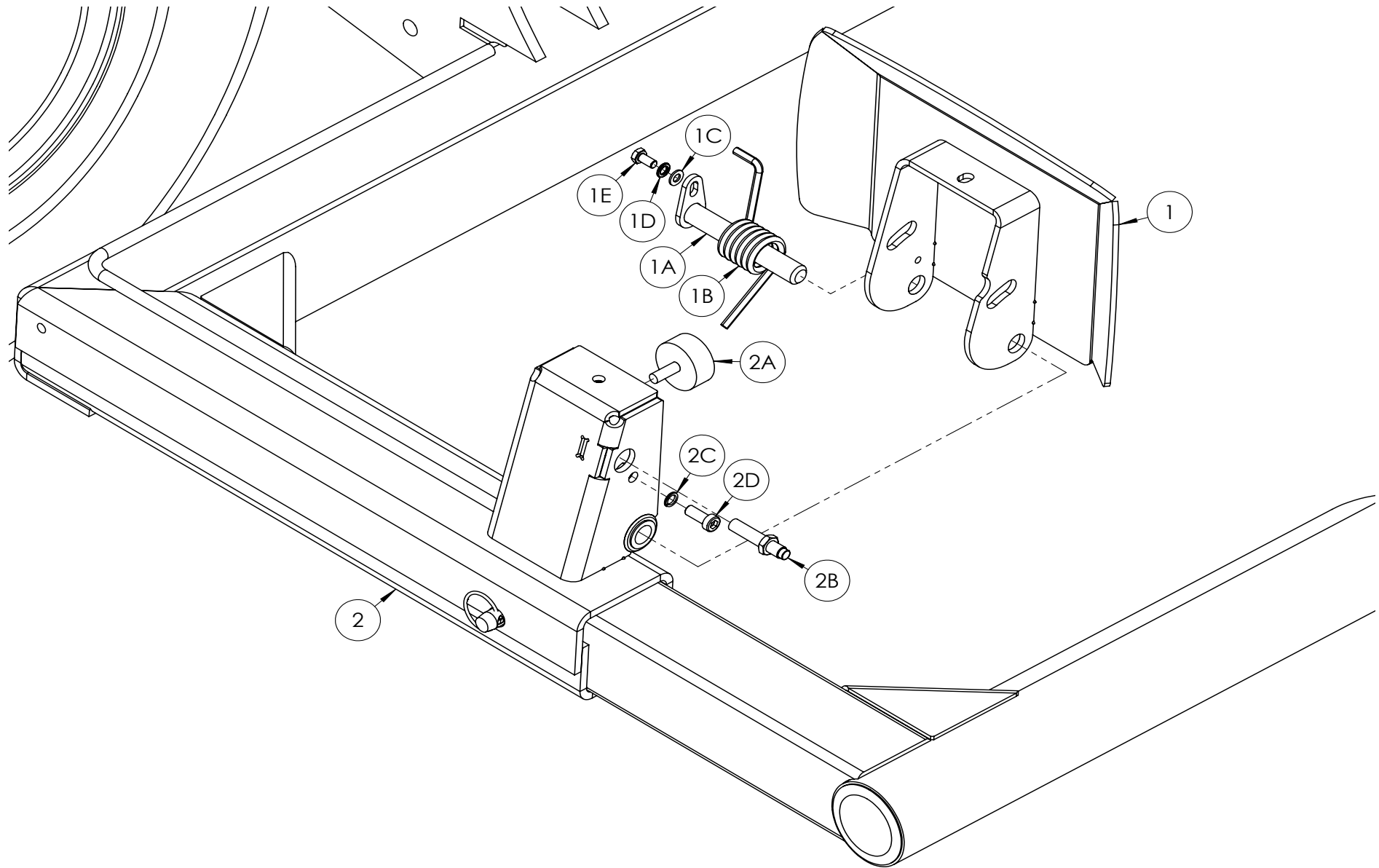
POS. NR. POS. NR. POS. NO.	TEILE NR. PART NR. PIECE NO.	STUCK QUANTITY QUANTITEE	BENENNUNG	DESCRIPTION	DESIGNATION	TECHNISCHE ANGABEN TECHNICAL DATA DONNEES TECHNIQUES
1	1115100	1	Standard-Abrollerrahmen	Standard Dispenser Frame	Bâti du distributeur standard	
1A	Z26-063S	2	Sechskantschraube	Hex Bolt	Boulon Hex	M10 x 35mm
1B	Z10-02-10	4	Unterlegscheibe	Flat Washer	Rondelle plate	M10
1C	Z23-10	2	Kontermutter	Lock Nut	Contre-écrou	M10
2	1115200	1	Einsatzbaugruppe	Insert Assembly	Assemblage de l'insert	70/55%
2A	1115111	2	Gelenkwelle	Pivot Shaft	Axe pivot	
2B	1115109	1	Schenkelfeder	Torsion Spring	Ressort de torsion	
2C	Z10-02-14	2	Unterlegscheibe	Flat Washer	Rondelle plate	14mm
2D	Z03-21-06	2	Spannstift	Roll Pin	Goupille cylindrique	M4 x 25mm
3	1305125	1	Zahnradabdeckung	Gear Cover	Protection de l'engrenage	
4	1115115	1	Obere Welle	Top Shaft	Arbre supérieur	
4A	1115117	1	Obere Riegel	Top Latch	Taquet supérieur	
4B	1115116	1	Druckfeder	Compression Spring	Ressort à compression	
4C	Z06-AWRB	1	Lager	Bearing	Palier	6205-ZZ LDK
4D	1115110	1	Nylonkegel	Nylon Cone	Cône en nylon	
4E	Z28-525	1	Sicherungsring	Circlip	Circlip	Ext. M25
5	1405006	1	Unterer Nylonkegel	Bottom Nylon Cone	Cône en nylon inférieur	
5A	Z32-15F	1	Kunststoffkappe	Plastic Cap	Capuchon plastique	1 1/4"
5B	Z28-525	1	Sicherungsring	Circlip	Circlip	Ext. M25
5C	Z06-AWRB	1	Lager	Bearing	Palier	6205-ZZ LDK
6	1115107	1	Abroller, untere Riegel	Dispenser Bottom Latch	Taquet inférieur du distributeur	
6A	Z32-165	1	Kunststoff-Riegelgriff	Plastic Latch Handle	Poignée du taquet en plastique	



POS. NR. POS. NR. POS. NO.	TEILE NR. PART NR. PIECE NO.	STUCK QUANTITY QUANTITEE	BENENNUNG	DESCRIPTION	DESIGNATION	TECHNISCHE ANGABEN TECHNICAL DATA DONNEES TECHNIQUES
1	2014200	1	Gegengewicht	Counter weight	Contre-Poids	
1A	Z12-02-20	1	Federscheibe	Spring Washer	Rondelle à ressort	M20
1B	Z26-158S	1	Sechskantmutternsatz	Hex Set	Vis de régl. Hex	M20 x 30mm



POS. NR. POS. NR. POS. NO.	TEILE NR. PART NR. PIECE NO.	STUCK QUANTITY QUANTITEE	BENENNUNG	DESCRIPTION	DESIGNATION	TECHNISCHE ANGABEN TECHNICAL DATA DONNEES TECHNIQUES
	2015000		Ballenmatten	A100 Bale Mat Assembly	Bale Mat Assemblée	
1	2015115	1	Rahmen	A100 Bale Mat Frame	Cadre	
2	2015020	1	Befestigungswinkel	LH Attachment Bracket	Support de fixation	
2A	Z10-02-16	8	Unterlegscheibe	Flat Washer	Rondelle plate	M16
2B	Z18-16	4	Sechskantmutter, glatt	Plain Hex Nut	Écrou plein Hex	M16
2C	Z26-1291S	4	Sechskantmutterersatz	Hex Set	Vis de régl. Hex	M16x80mm
2D	2015119	2	Spannungsfeder	Tension Spring	Ressort de tension	
2E	Z23-16	4	Kontermutter	Lock Nut	Contre-écrou	M16
3	2015015	1	Befestigungswinkel	RH Attachment Bracket	Support de fixation	
4	2015120	2	Arm	Bale Mat Arm	Bras	
4A	Z10-02-10	10	Unterlegscheibe	Flat Washer	Rondelle plate	M10
4B	Z23-10	10	Kontermutter	Lock Nut	Contre-écrou	M10
4C	Z13-111	4	Bolzen	Bolt	Boulon	M10x25mm
5	2015117	1	Gummiballenmatte	Rubber Bale Mat	Tapis de balle en caoutchouc	
5A	2015118	2	Rondelle de fixation	Bale Mat Fixing Washer	Befestigungsscheibe	
5B	Z13-112	2	Bolzen	Bolt	Boulon	M10x30mm
6	2006130	1	Welle	End Tip Pin	Arbre	
6A	Z36-02	1	'R' Clip	'R' Clip	'R' Clip	4mm



POS. NR.	TEILE NR.	STUCK	BENENNUNG	DESCRIPTION	DESIGNATION	TECHNISCHE ANGABEN
POS. NR.	PART NR.	QUANTITY				TECHNICAL DATA
POS. NO.	PIECE NO.	QUANTITEE				DONNEES TECHNIQUES
	2015200		Auto-Lade-Kit	Auto Load Kit	Kit de chargement automatique	
1	AWW00032	1	Ballensperr	Pivot Shaft	Axe pivot	
1A	CAW00049	1	Gelenkwelle	Pivot Shaft	Axe pivot	
1B	1305034B	1	Torsionsfeder	Torsion Spring	Ressort de torsion	
1C	Z10-02-08	1	Unterlegscheibe	Flat Washer	Rondelle plate	M8
1D	Z12-02-08	1	Federscheibe	Sping Washer	Rondelle à ressort	M8
1E	Z26-038S	1	Sechskantmutternsatz	Hex Set	Vis de régl. Hex	M8x16mm
2	AWW00031	1	Lastarmgestell	Load Arm Frame	Bâti du bras de chargement	
2A	Z40-28	1	Gummistoßdämpfer	Rubber Buffer	Tampon caoutchouc	
2B	2009300	1	Näherungssensor	Proximity Sensor	Capteur de proximité	
2C	Z10-02-10	2	Federscheibe	Sping Washer	Rondelle à ressort	M10
2D	Z23-10	2	Lange Sockelschrauben	Socket Cap Screw	Capuchon Vis	M10X25mm