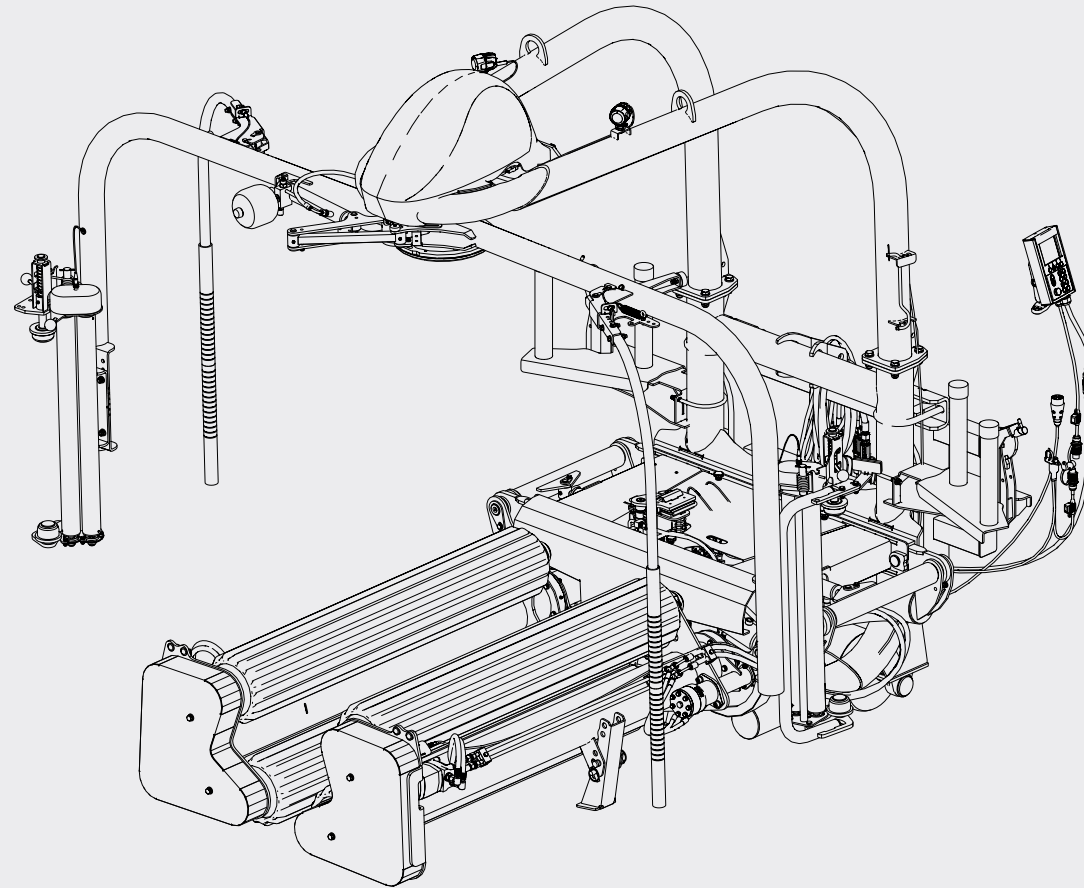




Experts in your field



AUTOWRAP

## Q Series

SPARE PARTS MANUAL

V.002\_EN

Tanco Autowrap Ltd.  
Royal Oak Road,  
Bagenaltown  
Co. Carlow  
Ireland

Phone: + 353 59 972 1336  
Email: [info@itanco.com](mailto:info@itanco.com)  
Website: [www.tanco.global](http://www.tanco.global)  
Support: [tanco.zendesk.com](https://tanco.zendesk.com)



# TANCO

# TANCO

## Q SERIES VARIWRAP

---

### Q Series Spare Parts List

We recommend that when you require spare parts you use only original parts. When ordering spare parts please follow the following steps;

1. Identify the part you require using the detailed drawings.
2. Once you have identified the part you require reference the item number relating to the part on the item list where you will find the part number and description of the part you require. You will be required to give the complete part no and description when ordering your part(s).
3. When ordering you must give the Serial Number and Model Number of the machine.
4. All orders must go through your local Tanco Dealer, and must be either faxed or e-mailed to Tanco Autowrap.

### Q Serie Ersatzteilliste

Wir empfehlen, nur Originalteile als Ersatzteile zu verwenden. Befolgen Sie bei der Bestellung von Ersatzteilen bitte die folgenden Schritte:

1. Stellen Sie anhand der detaillierten Zeichnungen fest, welches Teil Sie benötigen.
2. Haben Sie das benötigte Teil identifiziert, geben Sie die Teilnummer auf dem Bestellschein an, mit dem Sie das/die Ersatzteil/e bestellen.
3. Geben Sie bei jeder Bestellung die Serien- und die Modellnummer Ihrer Maschine an.
4. Alle Bestellungen müssen über Ihren Tanco-Händler vor Ort erfolgen und müssen Tanco Autowrap als Fax oder E-Mail erreichen.

### Liste des pièces de rechange Série Q

Si vous avez besoin de pièces de rechange, nous vous recommandons de n'utiliser que des pièces garanties d'origine. Pour toute commande de pièces de rechange, veuillez suivre les étapes suivantes :

1. Identifiez la pièce dont vous avez besoin à l'aide des schémas détaillés.
  2. Après avoir identifié la pièce dont vous avez besoin, relevez son numéro de référence dans la liste des pièces dans laquelle vous trouverez également la description de la pièce requise. Lors de la commande, vous devez indiquer la référence et la description complètes de la pièce.
  3. Lors de la commande, vous devrez mentionner le numéro de série et le numéro de modèle de la machine.
  4. Vous devez effectuer toutes les commandes auprès de votre revendeur Tanco local et les faxer ou les envoyer par e-mail à Tanco Autowrap.
-

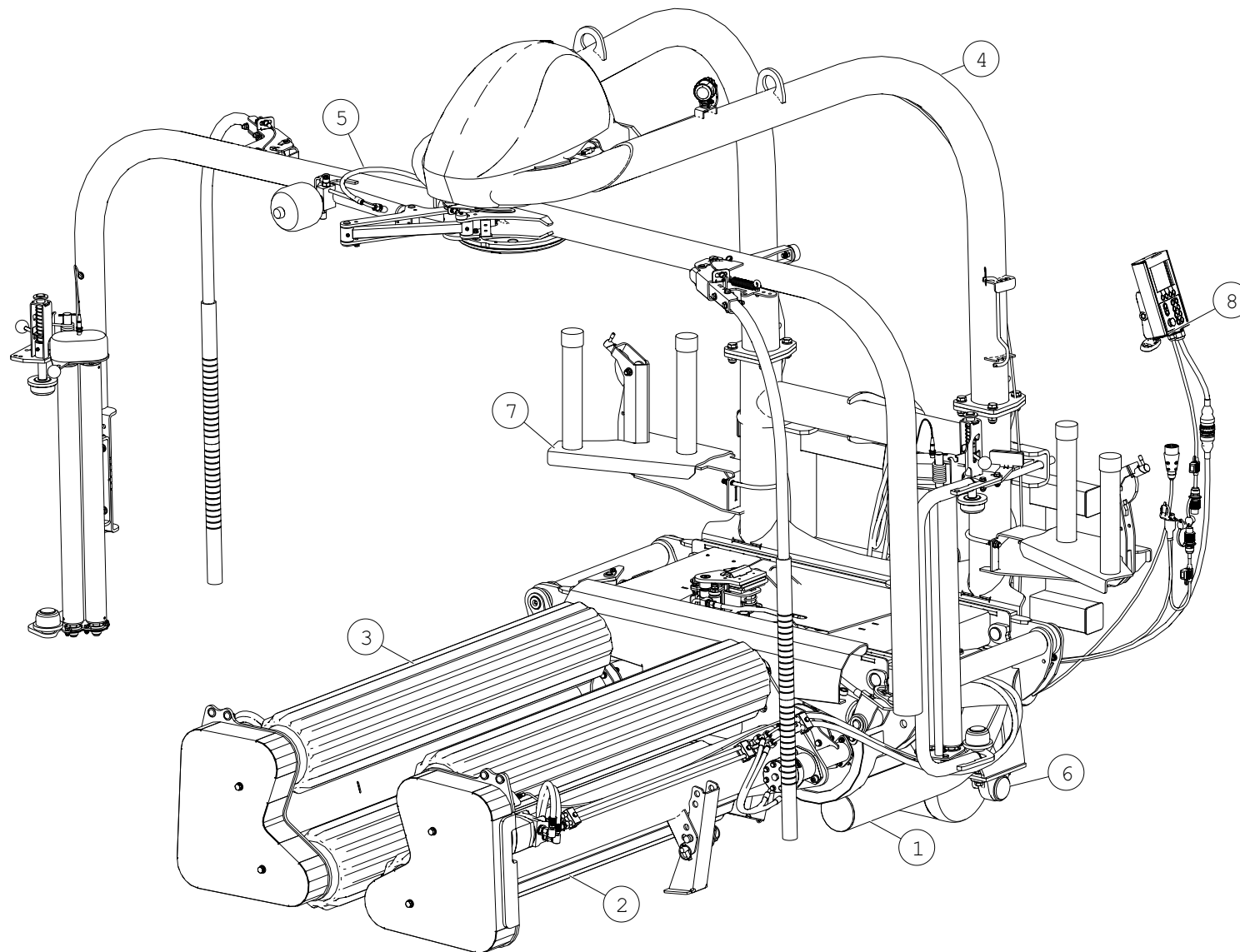
# TABLE OF CONTENTS

---

OVERVIEW .....	2
CHASSIS ASSEMBLY.....	6
MAIN VALVE BLOCK.....	10
REVERSING BLOCK.....	12
TOWER BLOCK .....	14
CUT & START ASSEMBLY .....	16
ROCKING ROLLER ASSEMBLY (LHS).....	18
ROCKING ROLLER ASSEMBLY (RHS).....	26
TOWER ASSEMBLY .....	34
WRAP ARM ASSEMBLY .....	36
SAFETY ARM ASSEMBLY .....	44
DISPENSER ASSEMBLY .....	46
GROUND ROLLER .....	50
FILM HOLDER.....	52
ELECTRICAL COMPONENTS .....	54
HYDRAULIC COMPONENTS.....	58

---

## Q200 OVERVIEW



POS. NR.	TEILE NR.	STUCK	BENENNUNG	DESCRIPTION	DESIGNATION
POS. NR.	PART NR.	QUANTITY			
POS. NO.	PIECE NO.	QUANTITEE			
1	SPDW0001	1		Chassis Assembly	Pg 6
2	SPDW0032	1		Rocking Roller Assembly (LHS)	Pg 18
3	SPDW0033	1		Rocking Roller Assembly (RHS)	Pg 26
4	SPDW0074	1		Tower Assembly	Pg 34
5	SPDW0012	1		Twin Arm Assembly	Pg 36
6	SPDW0028	1		Ground Roller	Pg 50
7	SPDW0096	1		Film Roll Holder Assembly	Pg 52
8	SPDW0107	1		Q200 V Electrical Harness	Pg 54

Q200

|OVERVIEW|

## Q300 OVERVIEW

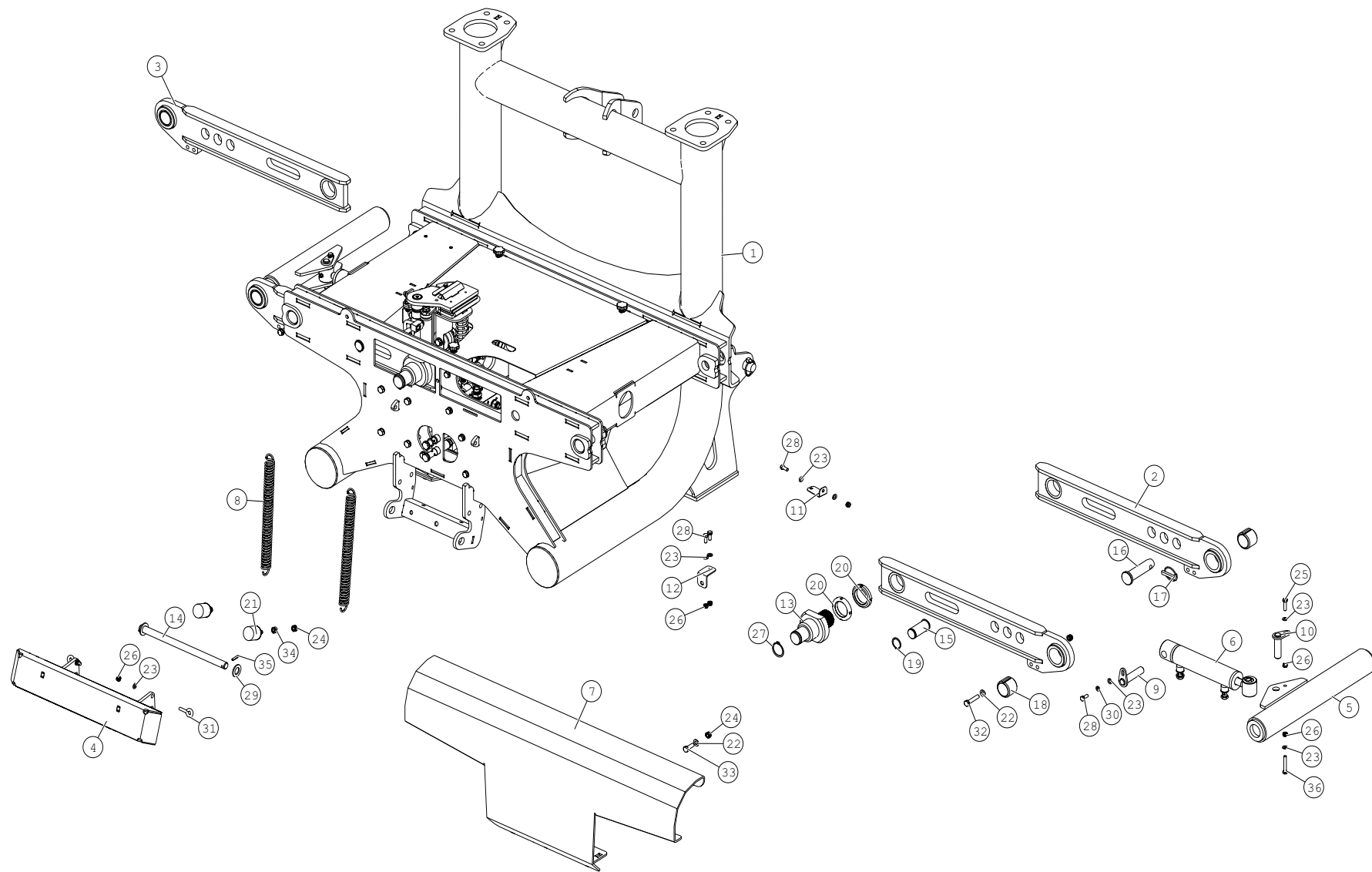


POS. NR.	TEILE NR.	STUCK	BENENNUNG	DESCRIPTION	DESIGNATION
POS. NR.	PART NR.	QUANTITY			
POS. NO.	PIECE NO.	QUANTITEE			
1	SPDW0001	1		Chassis Assembly	Pg 6
2	SPDW0032	1		Rocking Roller Assembly (LHS)	Pg 18
3	SPDW0033	1		Rocking Roller Assembly (RHS)	Pg 26
4	SPDW0074	1		Tower Assembly	Pg 34
5	SPDW0076	1		Tri Arm Assembly	Pg 40
6	SPDW0028	1		Ground Roller	Pg 50
7	SPDW0096	1		Film Roll Holder Assembly	Pg 52
8	SPDW0108	1		Q300 V Electrical Harness	Pg 56

Q300

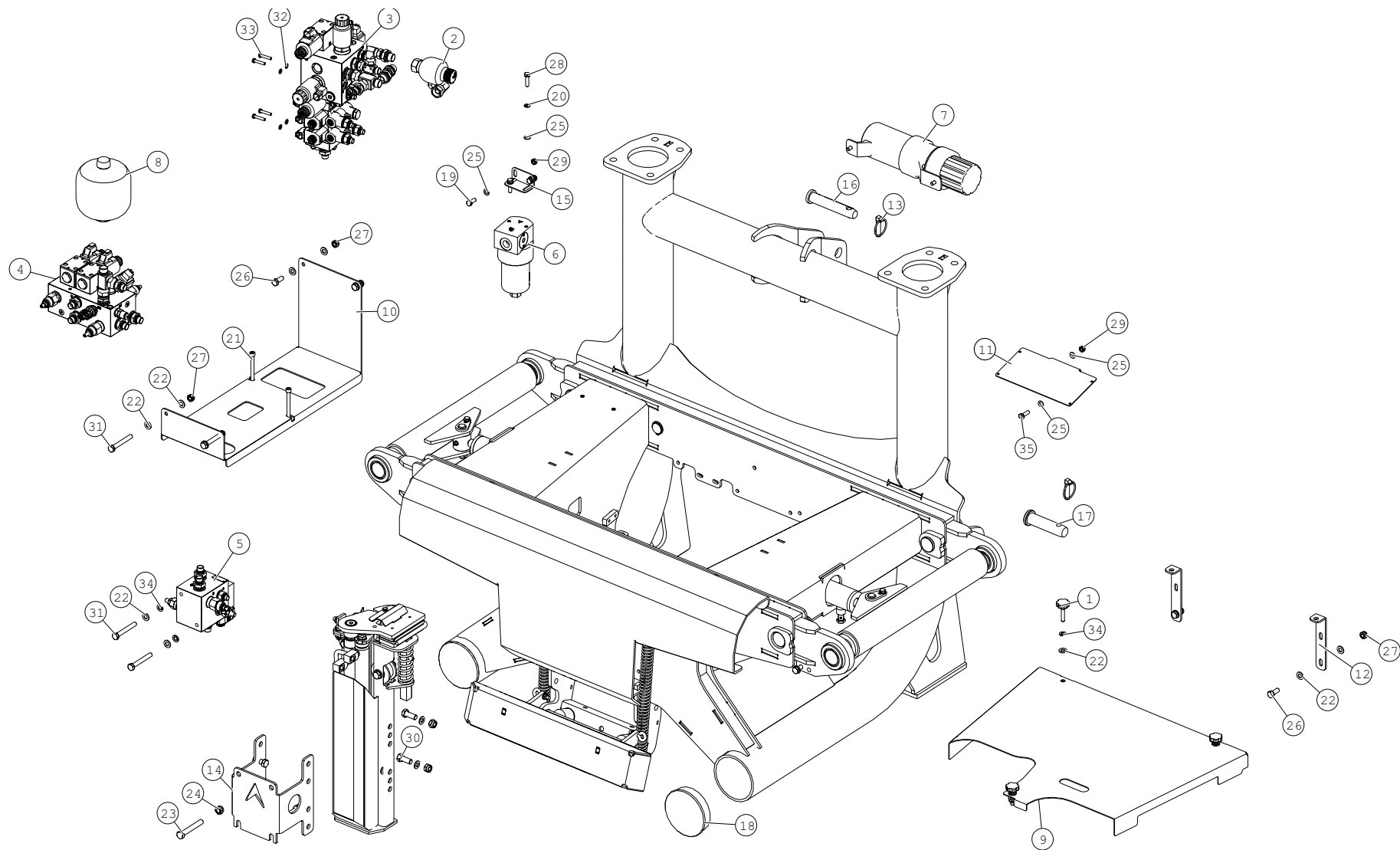
|OVERVIEW|

# 1. SPDW0001\_1 CHASSIS ASSEMBLY



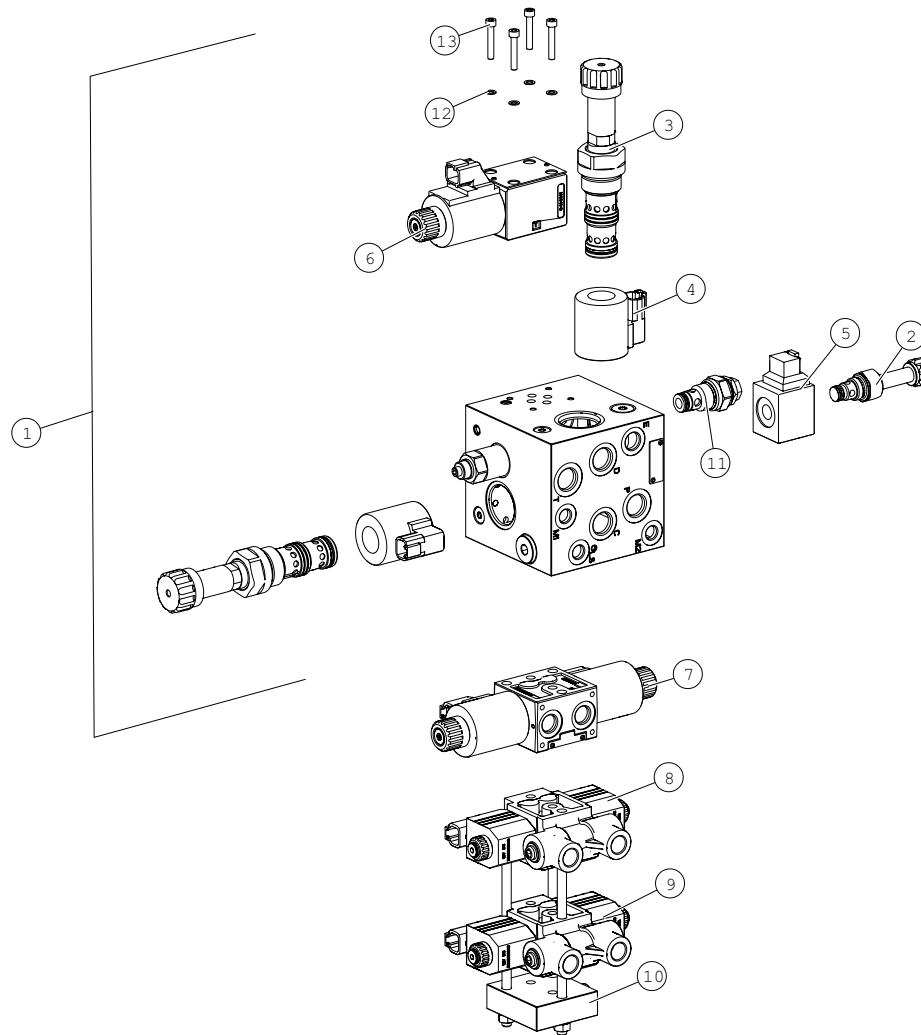
POS. NR.	TEILE NR.	STUCK	BENENNUNG	DESCRIPTION	DESIGNATION	TECHNISCHE ANGABEN
POS. NR.	PART NR.	QUANTITY				TECHNICAL DATA
POS. NO.	PIECE NO.	QUANTITEE				DONNEES TECHNIQUES
1	AWW00001	1		Chassis		
2	AWW00041	2		Width Adjustment Arm - Left		
3	AWW00042	2		Width Adjustment Arm - Right		
4	AWW00068	1		Autoload Bracket		
5	AWW00044	2		Roller Arm Width Adjuster		
6	CHY00017	2		Width Cylinder		
7	CAW00116	1		Bale Stop Profile		
8	CAW00123	2		Autoload Extension Hook Spring		
9	1315405	2		Linkage / Ram Pin		
10	1315407	2		Linkage / Ram Pin		
11	2001311	1		Cable Connector Mounting		
12	CAW00120	1		Inductive Sensor Bracket		
13	CAW00071	2		Roller Arm Cylinder Pin		
14	CAW00118	1		Autolad Actuator Shaft		
15	CAW00019	4		Spigot		
16	34105638	6		1 1/8" Lower Link Pin		
17	Z03-22-06	7		7/16" Dia Linch Pin		
18	Z03-20-12	2		50 X 40 Bore X 40mm LG Ten Bus		
19	FAS17017	8		External Circlip - 30 X 1.5 [DIN 471]		
20	CSW00017	4		KM10 Lock Nut		
21	Z40-25	2		40mm x 38 Rubber Buffer		
22	FAS01005	49		M10 Flat Washer [DIN 125]		
23	FAS01004	30		M8 Flat Washer [DIN 125]		
24	FAS05006	15		M10 Locknut [DIN 985]		
25	FAS07097	4		M8 X 30 Hex Set [DIN 933]		
26	FAS05004	15		M8 Locknut [DIN 985]		
27	FAS17023	2		External Circlip - 40 X 1.75 [DIN 471]		
28	FAS07091	9		M8 X 20 Hex Set [DIN 933]		
29	FAS01010	2		M20 Flat Washer [DIN 125]		
30	FAS02004	6		M8 Spring Lock Washer [DIN 127]		
31	FAS36002	2		M8 x 30mm Turned Eye Bolt		
32	FAS06124	2		M10 X 50 Hex Bolt [DIN 931]		
33	FAS07142	3		M10 X 30 Hex Set [DIN 933]		
34	FAS04009	2		M10 Plain Hex Nut [DIN 934]		
35	FAS19033	2		M6 X 30 Roll Pin [DIN 1481]		
36	FAS06091	2		M8 X 50 Hex Bolt [DIN 931]		

## 1.1 SPDW0001\_2 CHASSIS ASSEMBLY



POS. NR.	TEILE NR.	STUCK	BENENNUNG	DESCRIPTION	DESIGNATION	TECHNISCHE ANGABEN
POS. NR.	PART NR.	QUANTITY				TECHNICAL DATA
POS. NO.	PIECE NO.	QUANTITEE				DONNEES TECHNIQUES
1	1340087	3		Handwheel (Scallop Male M8 x 40mm)		
2	CHY00018	1		0.075L Accumulator @20bar		
3	CHY00015	1		Control Valve		
4	CHY00016	1		Reversing Block		
5	CHY00006	1		Tower Block		
6	CHY00050	1		MFM 55 Oil Pressure Filter		
7	1330648	1		Plastic Manual Tube		
8	1508160	1		0.70L Accumulator Charged 50B		
9	CAW00086	1		Chassis Cover		
10	CAW00064	1		Reversing Valve Mounting Profile		
11	CAW00117	1		Junction Box Mounting		
12	CAW00076	3		Chassis Cover Bracket		
13	Z03-22-06	7		7/16" Dia Linch Pin		
14	CAW00063	1		Cut and Start Bracket		
15	CAW00072	1		Filter Mounting Bracket		
16	34105635	1		Top Link Pin		
17	34105638	6		1 1/8" Lower Link Pin		
18	CSW00029	2		Tube End Cap 127mm OD Tubing		
19	FAS07091	9		M8 X 20 Hex Set [DIN 933]		
20	FAS02004	7		M8 Spring Lock Washer [DIN 127]		
21	FAS11358	2		M8 X 90 Allen Head Set [DIN 912]		
22	FAS01005	49		M10 Flat Washer [DIN 125]		
23	FAS06175	4		M12 X 80 Hex Bolt [DIN 931]		
24	FAS05009	10		M12 Locknut [DIN 985]		
25	FAS01004	31		M8 Flat Washer [DIN 125]		
26	FAS07139	4		M10 X 25 Hex Set [DIN 933]		
27	FAS05006	15		M10 Locknut [DIN 985]		
28	FAS07097	5		M8 X 30 Hex Set [DIN 933]		
29	FAS05004	15		M8 Locknut [DIN 985]		
30	FAS07181	4		M12 X 30 Hex Set [DIN 933]		
31	FAS06319	4		M10 X 75 Hex Bolt [DIN 931]		
32	FAS01003	4		M6 Flat Washer [DIN 125]		
33	FAS06040	4		M6 X 30 Hex Bolt [DIN 931]		
34	FAS02005	5		M10 Spring Lock Washer [DIN 127]		
35	FAS07094	2		M8 X 25 Hex Set [DIN 933]		

## 1.2 CHY00015 MAIN VALVE BLOCK

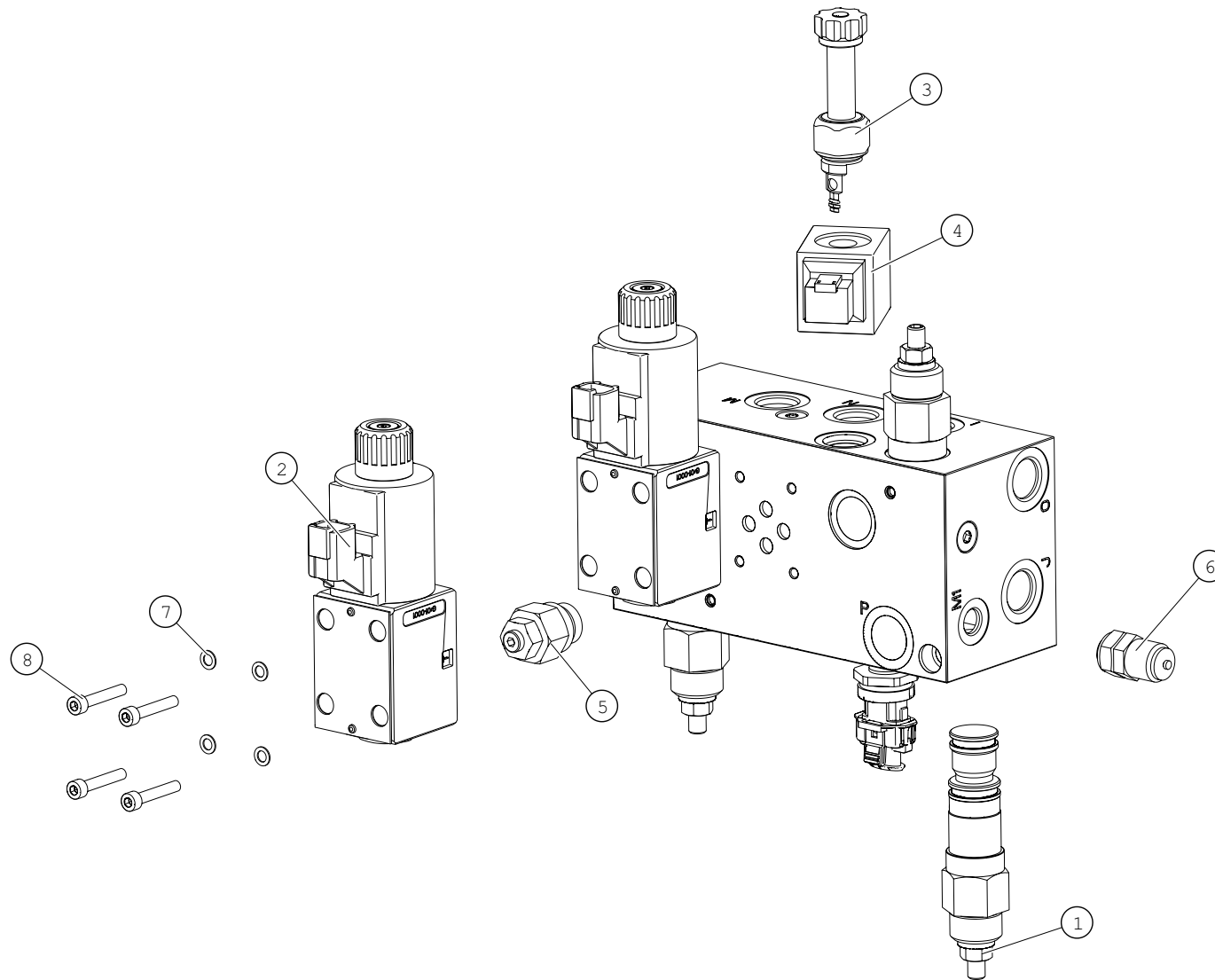


POS. NR.	TEILE NR.	STUCK	BENENNUNG	DESCRIPTION	DESIGNATION	TECHNISCHE ANGABEN
POS. NR.	PART NR.	QUANTITY				TECHNICAL DATA
POS. NO.	PIECE NO.	QUANTITEE				DONNEES TECHNIQUES
1	CVA00183	1		Inlet Block		
2	CVA00045	1		Poppet Valve		
3	CVA00187	2		Proportional Valve Cartridge 60L		
4	CVA00154	2		Deutsch Proportional KUDSR Coil		
5	CVA00109	1		Coil Square Deutsch With Side Connection		
6	CVA00191	1		Single Cetop 2 Valve		
7	CVA00055	1		ED2 Valve Section Open Centre		
8	CVA00186	1		Valve Section With Single Pilot Operated Check		
9	CVA00101	1		Valve Section With Double Pilot Operated Check		
10	CVA00112	1		Valve End Plate		
11	CVA00152	1		Variable Flow Restrictor/Shut Off Valve.		
12	CVA00008	4		M5 Flat Washer		
13	CVA00017	4		M5 x 30 Allen Head Bolt		

TANCO Q200/Q300 CHY00015

| VALVE BLOCK |

### 1.3 CHY00016 REVERSING BLOCK

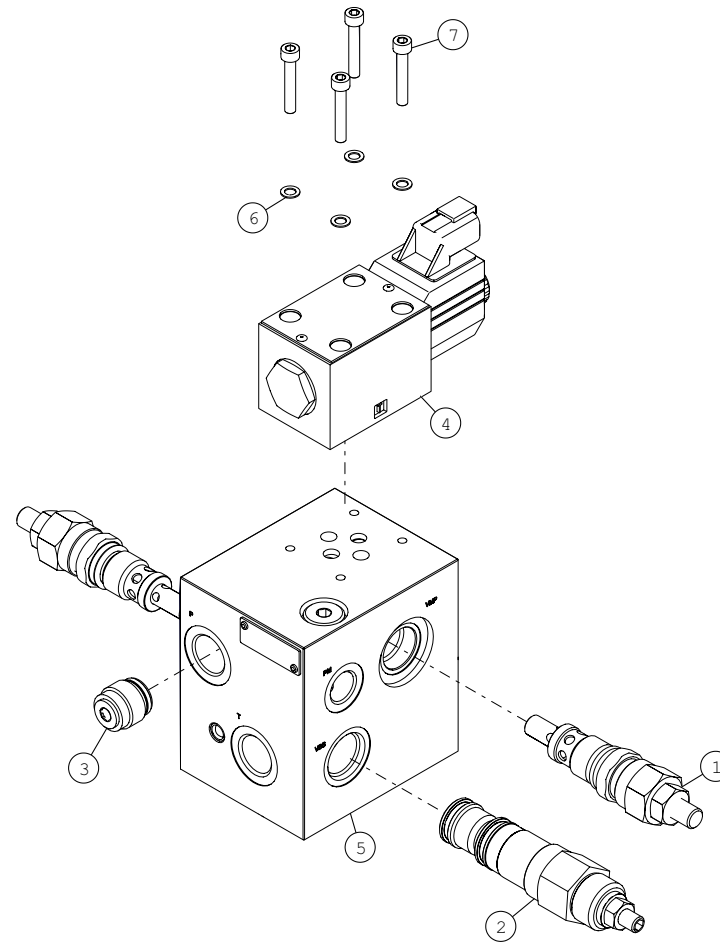


POS. NR.	TEILE NR.	STUCK	BENENNUNG	DESCRIPTION	DESIGNATION	TECHNISCHE ANGABEN
POS. NR.	PART NR.	QUANTITY				TECHNICAL DATA
POS. NO.	PIECE NO.	QUANTITEE				DONNEES TECHNIQUES
1	CVA00013	3		Counter Balance Valve		
2	CVA00117	2		Single Cetop 2 Valve		
3	CVA00010	1		Pilot Operated Poppet Valve		
4	CVA00109	1		Coil Square Deutsch With Side Connection		
5	CVA00182	1		Free Reverse Flow Needle Restrictor		
6	CVA00181	1		Test Point		
7	CVA00008	8		M5 Flat Washer		
8	CVA00017	8		M5 x 30 Allen Head Bolt		

TANCO Q200/Q300 CHY00016

| REVERSING BLOCK |

## 1.4 CHY00006 TOWER BLOCK

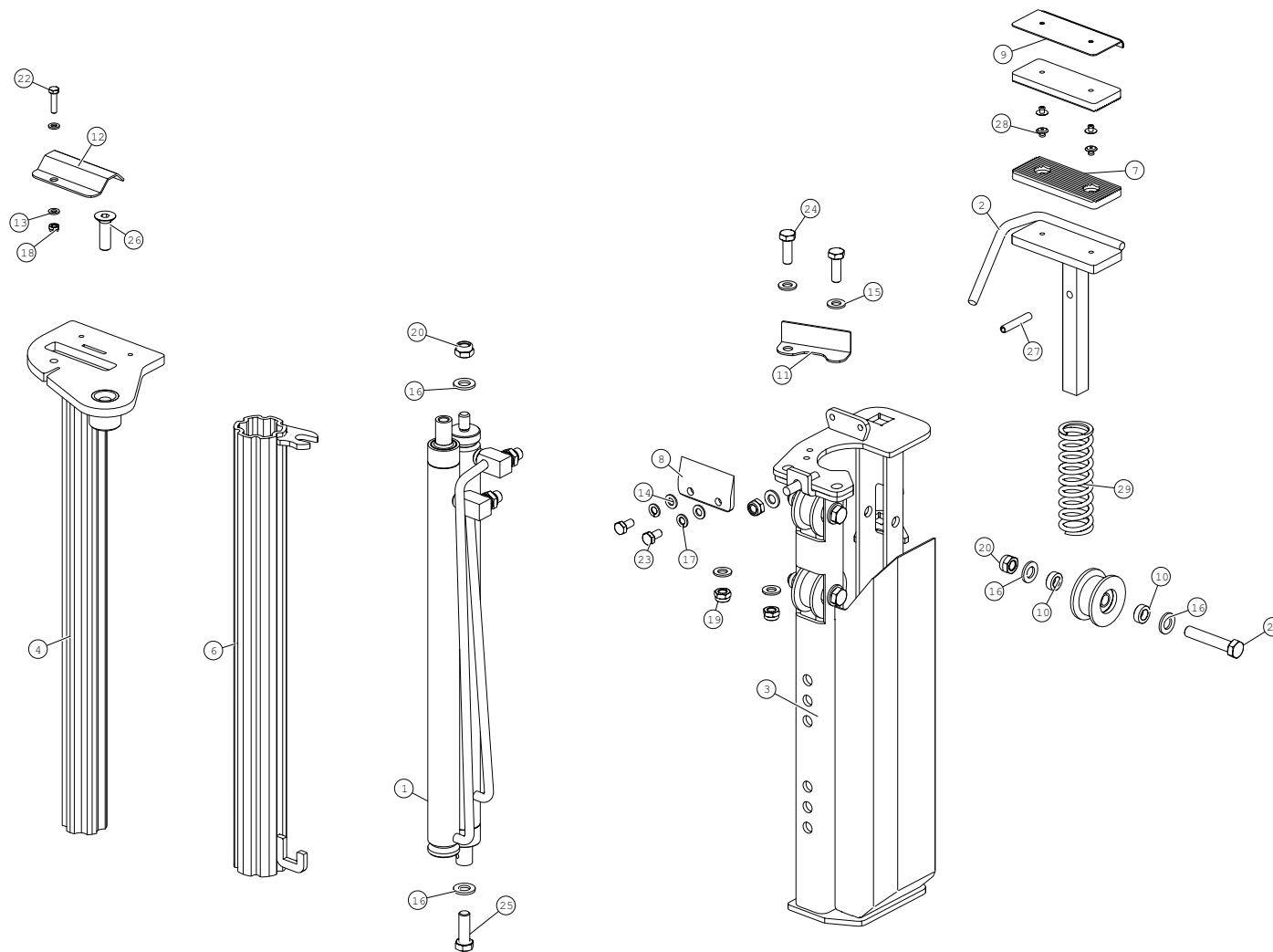


POS. NR.	TEILE NR.	STUCK	BENENNUNG	DESCRIPTION	DESIGNATION	TECHNISCHE ANGABEN
POS. NR.	PART NR.	QUANTITY				TECHNICAL DATA
POS. NO.	PIECE NO.	QUANTITEE				DONNEES TECHNIQUES
1	CVA00012	2		Cross Sign Relief Valve		
2	CVA00013	1		Counter Balance Valve		
3	CVA00014	1		Insert Check Valve		
4	CVA00076	1		Deutsch Coil Reversing Valve		
5	CVA00166	1		Tower Block Body		
6	CVA00008	4		M5 Flat Washer		
7	CVA00017	4		M5 x 30 Allen Head Bolt		

TANCO Q200/Q300 CHY00006

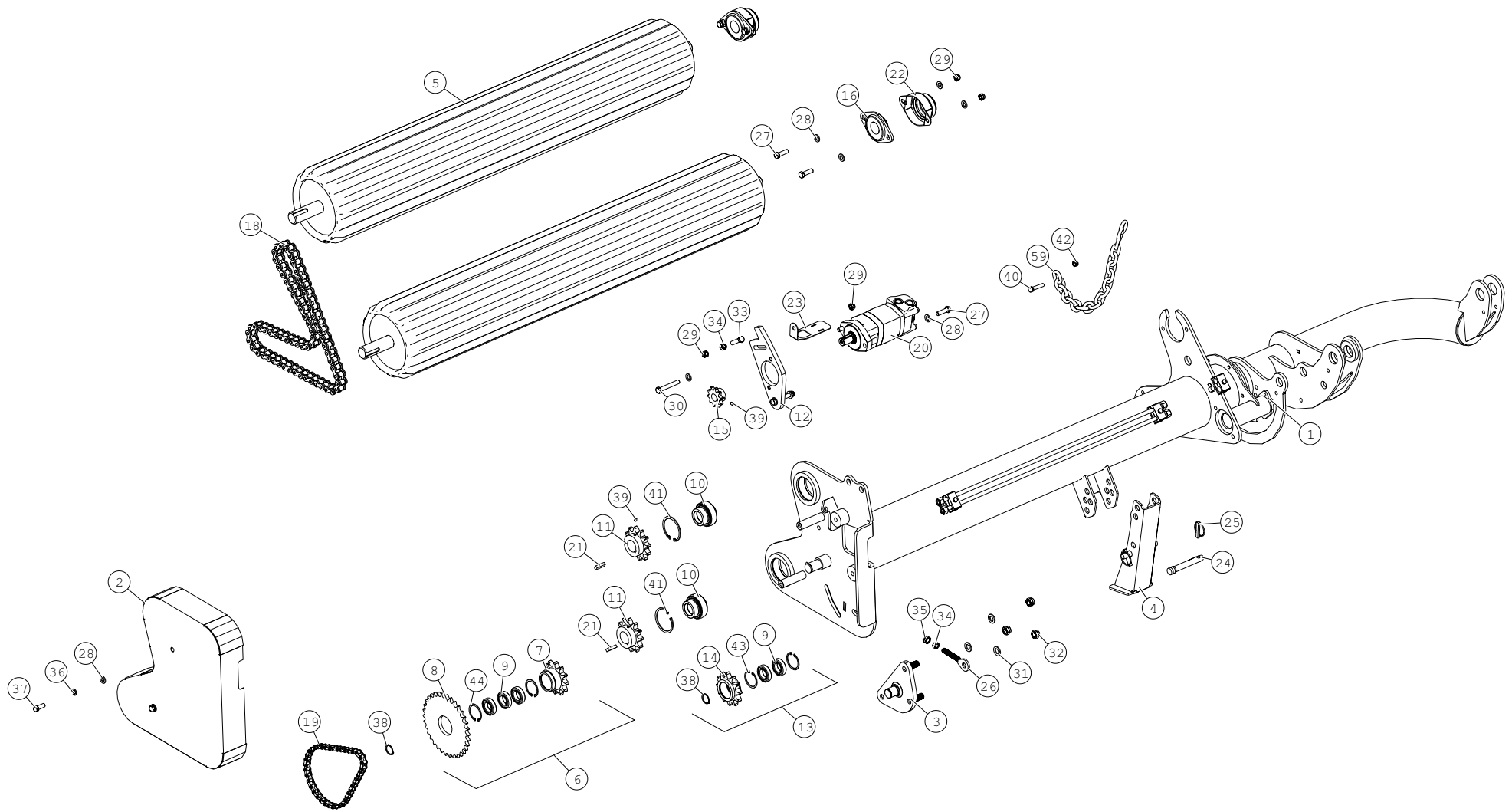
| TOWER BLOCK |

## 1.5 SPDW0097\_1 CUT & START ASSEMBLY



POS. NR.	TEILE NR.	STUCK	BENENNUNG	DESCRIPTION	DESIGNATION	TECHNISCHE ANGABEN
POS. NR.	PART NR.	QUANTITY				TECHNICAL DATA
POS. NO.	PIECE NO.	QUANTITEE				DONNEES TECHNIQUES
1	1330015	1		Cut & Start Cylinder		
2	1330304	1		Cut & Start Square Plunger Pin		
3	1330310	1		Cut & Start Main Frame		
4	1330320	1		Cut & Start Top Stage		
5	1330330	3		Cut & Start Wheel Complete		
6	1330340	1		Cut & Start Middle Stage		
7	1330305	2		Rubber Buffer 120 x 48mm		
8	1330307	1		Cut & Start Blade		
9	1330324	1		Gripper Mounting Profile		
10	1330325	6		Cut & Start Wheel Spacer		
11	CAW00121	1		Cut & Start Film Guide		
12	CAW00047	1		C&S Blade Protector		
13	FAS01003	2		M6 Flat Washer [DIN 125]		
14	FAS01004	2		M8 Flat Washer [DIN 125]		
15	FAS01005	5		M10 Flat Washer [DIN 125]		
16	FAS01006	8		M12 Flat Washer [DIN 125]		
17	FAS02004	2		M8 Spring Lock Washer [DIN 127]		
18	FAS05003	1		M6 Locknut [DIN 985]		
19	FAS05006	3		M10 Locknut [DIN 985]		
20	FAS05009	4		M12 Locknut [DIN 985]		
21	FAS06169	3		M12 X 65 Hex Bolt [DIN 931]		
22	FAS07058	1		M6 X 25 Hex Set [DIN 933]		
23	FAS07088	2		M8 X 16 Hex Set [DIN 933]		
24	FAS07142	2		M10 X 30 Hex Set [DIN 933]		
25	FAS07184	1		M12 X 35 Hex Set [DIN 933]		
26	FAS13107	1		M12 X 40 Countersunk Allen Head Set [DIN 7991]		
27	FAS19059	1		M8 X 45 Roll Pin [DIN 1481]		
28	Z03-25-05	4		4.8 x 16 (VLA4816) Pop Rivet L		
29	Z07-49	1		Compression Spring Plated 120mm		

## 2. SPDW0032\_2 ROCKING ROLLER ASSEMBLY (LHS)



POS. NR. POS. NR. POS. NO.	TEILE NR. PART NR. PIECE NO.	STUCK QUANTITY QUANTITEE	BENENNUNG	DESCRIPTION	DESIGNATION	TECHNISCHE ANGABEN TECHNICAL DATA DONNEES TECHNIQUES
1	AWW00024	1		Rocking Roller Frame - LHS		
2	AWW00049	1		Roller Chain Guard - Left		
3	CAW00058	1		Sprocket Tension Bracket (L)		
4	AWW00070	1		Roller Frame Parking Bracket		
5	CAW00059	2		Plastic Roller		
6	CAW00054	1		Double Drive Sprocket		
7	CWW00158	1		12T 1" Sprocket		
8	CWW00159	1		34T 3/4" Sprocket		
9	CBE00003	5		30mm Roller Bearing		
10	CBE00012	2		HC208 Self Aligning Bearing		
11	CAW00053	2		Roller Sprocket		
12	CAW00057	1		Motor Mounting Profile		
13	CAW00056	1		12T 1" Idler Sprocket		
14	CAW00056_1	1		12Tooth 1" Idler Sprocket		
15	CAW00119	1		10T 3/4" Sprocket		
16	CBE00004	2		SA208 Bearing w/Locking Collar & PFL208 Flange		
17	1330725	1		8 x 24mm x 19 Link Alloy Chain		
18	CAW00088	1		16B-1 x 66 Roller Chain (Split Pin)		
19	CAW00087	1		12B-1 x 42 Roller Chain (Split Pin)		
20	CHY00036	1		2k 395cc Motor		
21	CAW00089	2		12 x 8 x 35mm Key Steel		
22	CAW00127	2		Shaft End Cover		
23	CAW00147	1		Electrical Socket Bracket		
24	Z03-04-74	2		Top Link Pin 102*22*19 (P104)		
25	Z03-22-06	2		7/16" Dia Linch Pin		
26	CAW00055	1		Tension Bolt		
27	FAS07187	6		M12 X 40 Hex Set [DIN 933]		
28	FAS01006	16		M12 Flat Washer [DIN 125]		
29	FAS05009	7		M12 Locknut [DIN 985]		
30	FAS06175	2		M12 X 80 Hex Bolt [DIN 931]		
31	FAS01008	3		M16 Flat Washer [DIN 125]		
32	FAS05013	3		M16 Locknut [DIN 985]		
33	FAS07190	1		M12 X 50 Hex Set [DIN 933]		
34	FAS04010	2		M12 Plain Hex Nut [DIN 934]		
35	FAS05012	1		M14 Locknut [DIN 985]		
36	FAS02006	2		M12 Spring Lock Washer [DIN 127]		

**2. SPDW0032\_2** ROCKING ROLLER ASSEMBLY (LHS) CONT'D

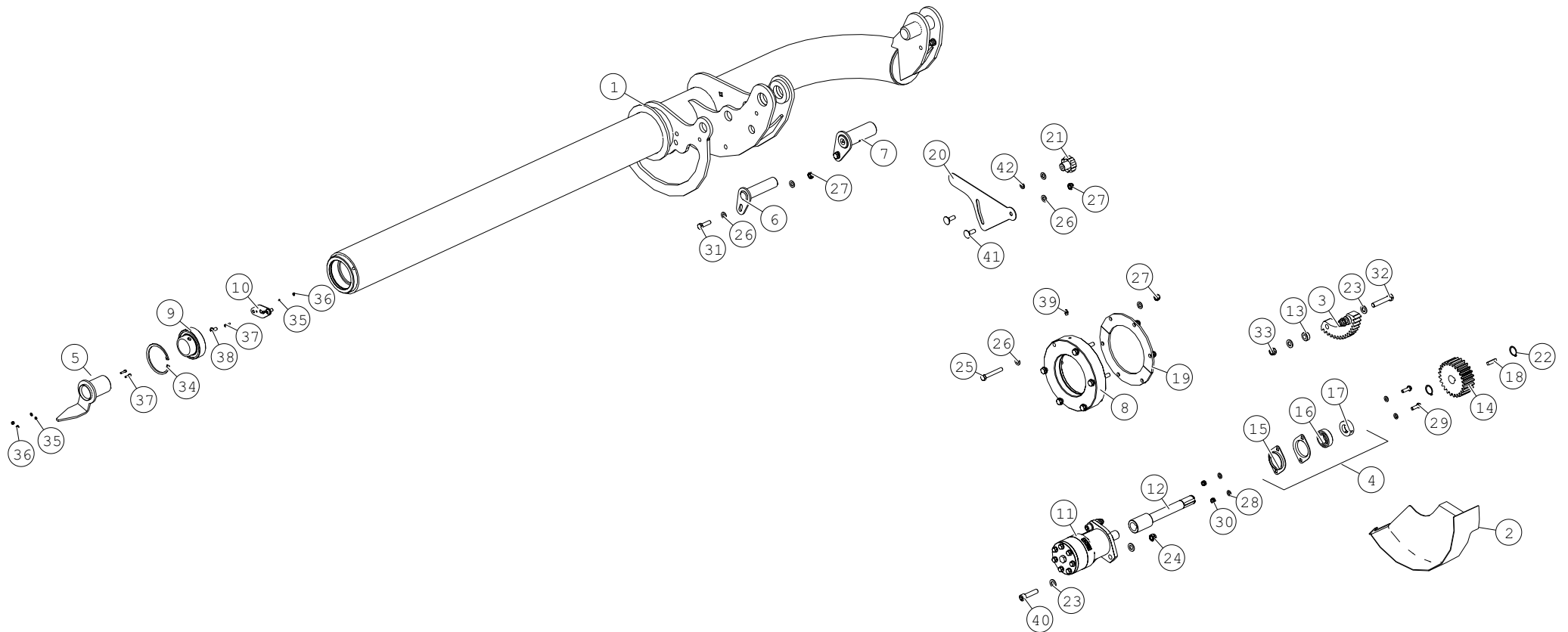
POS. NR.	TEILE NR.	STUCK	BENENNUNG	DESCRIPTION	DESIGNATION	TECHNISCHE ANGABEN
POS. NR.	PART NR.	QUANTITY				TECHNICAL DATA
POS. NO.	PIECE NO.	QUANTITEE				DONNEES TECHNIQUES
37	FAS07181	2		M12 X 30 Hex Set [DIN 933]		
38	FAS17017	2		External Circlip - 30 X 1.5 [DIN 471]		
39	FAS20126	6		M8 X 10 Grub Screw [DIN 916K]		
40	FAS06130	1		M10 X 60 Hex Bolt [DIN 931]		
41	FAS16043	2		Internal Circlip - 80 X 2.5 [DIN 472]		
42	FAS05006	1		M10 Locknut [DIN 985]		
43	FAS16031	2		Internal Circlip - 55 X 2 [DIN 472]		
44	FAS16031	2		Internal Circlip - 55 X 2 [DIN 472]		

TANCO Q200/Q300 SPDW0032\_2

| ROCKING ROLLER ASSEMBLY (LHS) |

[BLANK PAGE]

## 2.1 SPDW0032\_1 ROCKING ROLLER ARM ASSEMBLY (LHS)



POS. NR.	TEILE NR.	STUCK	BENENNUNG	DESCRIPTION	DESIGNATION	TECHNISCHE ANGABEN
POS. NR.	PART NR.	QUANTITY				TECHNICAL DATA
POS. NO.	PIECE NO.	QUANTITEE				DONNEES TECHNIQUES
1	AWW00018	1		Roller Arm Frame - Left		
2	AWW00060	1		Double Drive Gear Cover - LHS		
3	AWW00062	1		Double Drive Gear		
4	34321243	1		Flange Bearing (SAPFL 205)		
5	CAW00073	1		Alignment Sensor Bracket		
6	CAW00077	1		Width Cylinder Pin		
7	CAW00078	2		Roller Arm Pivot Pin		
8	CAW00065	1		Nylon Bearing		
9	CBE00005	1		50mm Bearing CUC210		
10	CAW00095	1		Rotation Sensor Mounitng		
11	CHY00043	1		CS 160cc Motor		
12	CAW00108	1		Double Drive Shaft		
13	CAW00107	2		Gear Spacer		
14	CAW00106	1		Double Drive Motor Gear		
15	CBE00014	2		Bearing Flange Plate		
16	34321244	1		FHYSA 205 Bearing Insert		
17	CBE00013	1		25mm Locking Collar		
18	34270105	1		8mm x 7mm x 32 Key Steel		
19	CAW00109	2		Nylon Bearing Retaining Profile		
20	CAW00161	1		Load Sensor Actuator		
21	34251456	1		Handwheel (50 x 10)		
22	FAS17013	2		External Circlip - 25 X 1.2 [DIN 471]		
23	FAS01006	8		M12 Flat Washer [DIN 125]		
24	FAS05009	2		M12 Locknut [DIN 985]		
25	FAS06136	6		M10 X 70 Hex Bolt [DIN 931]		
26	FAS01005	20		M10 Flat Washer [DIN 125]		
27	FAS05006	10		M10 Locknut [DIN 985]		
28	FAS01004	4		M8 Flat Washer [DIN 125]		
29	FAS07094	2		M8 X 25 Hex Set [DIN 933]		
30	FAS05004	2		M8 Locknut [DIN 985]		
31	FAS07349	3		M10 X 35 Hex Set [DIN 933]		
32	FAS09117	2		M12x1.25 X 65 Hex Bolt [DIN 960]		
33	FAS05010	2		M12x1.25 Locknut [DIN 985]		
34	FAS16047	1		Internal Circlip - 90 X 3 [DIN 472]		
35	FAS01001	4		M4 Flat Washer [DIN 125]		
36	FAS05001	4		M4 Locknut [DIN 985]		

**2.1 SPDW0032\_1**    ROCKING ROLLER ARM ASSEMBLY (LHS) CONT'D

POS. NR.	TEILE NR.	STUCK	BENENNUNG	DESCRIPTION	DESIGNATION	TECHNISCHE ANGABEN
POS. NR.	PART NR.	QUANTITY				TECHNICAL DATA
POS. NO.	PIECE NO.	QUANTITEE				DONNEES TECHNIQUES
37	FAS11013	4		M4 X 16 Allen Head Set [DIN 912]		
38	FAS22019	2		M8 X 16 Hex Socket Button Head Set [ISO 7380-2]		
39	FAS27004	1		M8 x 1.0 Grease Nipple [DIN 71412 A]		
40	FAS11299	2		M12 X 50 Allen Head Set [DIN 912]		
41	FAS14012	2		M10 X 30 Cup Head Square Neck Bolt [DIN 603]		
42	FAS02005	1		M10 Spring Lock Washer [DIN 127]		

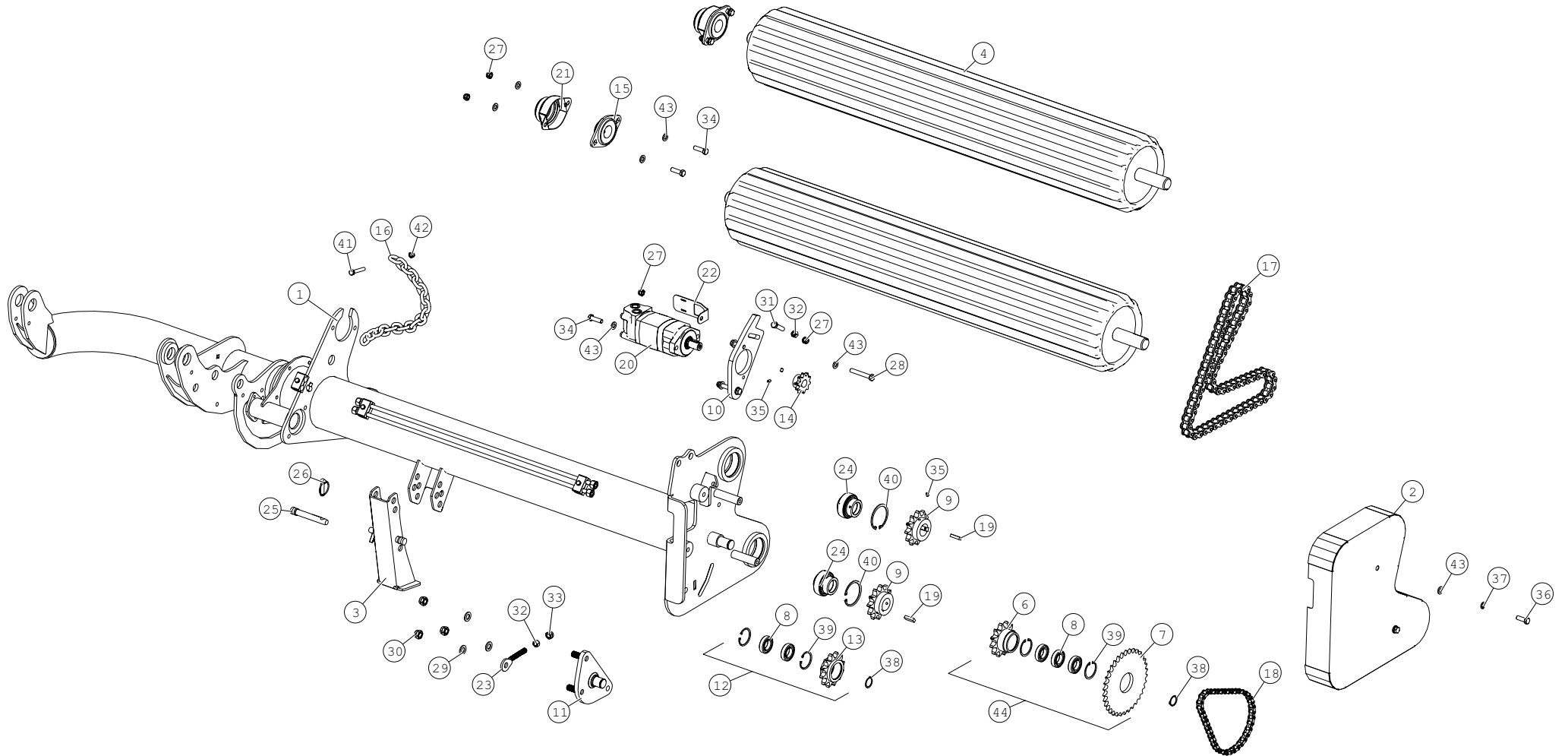
TANCO Q200/Q300    SPDW0032\_1

| ROCKING ROLLER ARM ASSEMBLY (LHS) |

[BLANK PAGE]

### 3. SPDW0033\_2

### ROCKING ROLLER ASSEMBLY (RHS)



POS. NR.	TEILE NR.	STUCK	BENENNUNG	DESCRIPTION	DESIGNATION	TECHNISCHE ANGABEN
POS. NR.	PART NR.	QUANTITY				TECHNICAL DATA
POS. NO.	PIECE NO.	QUANTITEE				DONNEES TECHNIQUES
1	AWW00025	1		Rocking Roller Frame - RHS		
2	AWW00048	1		Roller Chain Guard - Right		
3	AWW00070	1		Roller Frame Parking Bracket		
4	CAW00059_1	2		Roller		
5	CAW00054	1		Double Drive Sprocket		
6	CWW00158	1		12T 1" Sprocket		
7	CWW00159	1		34T 3/4" Sprocket		
8	CBE00003	5		30mm Roller Bearing		
9	CAW00053	2		Roller Sprocket		
10	CAW00057	1		Motor Mounting Profile		
11	CAW00061	1		Sprocket Tension Bracket (R)		
12	CAW00056	1		12T 1" Idler Sprocket		
13	CAW00056_1	1		12Tooth 1" Idler Sprocket		
14	CAW00119	1		10T 3/4" Sprocket		
15	CBE00004	2		SA208 Bearing w/Locking Collar & PFL208 Flange		
16	1330725	1		8 x 24mm x 19 Link Alloy Chain		
17	CAW00088	1		16B-1 x 66 Roller Chain (Split Pin)		
18	CAW00087	1		12B-1 x 42 Roller Chain (Split Pin)		
19	CAW00089	2		12 x 8 x 35mm Key Steel		
20	CHY00036	1		2k 395cc Motor		
21	CAW00127	2		Shaft End Cover		
22	CAW00147	1		Electrical Socket Bracket		
23	CAW00055	1		Tension Bolt		
24	CBE00012	2		HC208 Self Aligning Bearing		
25	Z03-04-74	2		Top Link Pin 102*22*19 (P104)		
26	Z03-22-06	2		7/16" Dia Linch Pin		
27	FAS05009	7		M12 Locknut [DIN 985]		
28	FAS06175	2		M12 X 80 Hex Bolt [DIN 931]		
29	FAS01008	3		M16 Flat Washer [DIN 125]		
30	FAS05013	3		M16 Locknut [DIN 985]		
31	FAS07190	1		M12 X 50 Hex Set [DIN 933]		
32	FAS04010	2		M12 Plain Hex Nut [DIN 934]		
33	FAS05012	1		M14 Locknut [DIN 985]		
34	FAS07187	6		M12 X 40 Hex Set [DIN 933]		
35	FAS20126	6		M8 X 10 Grub Screw [DIN 916K]		
36	FAS07184	2		M12 X 35 Hex Set [DIN 933]		

**3. SPDW0033\_2**      ROCKING ROLLER ASSEMBLY (RHS) CONT'D

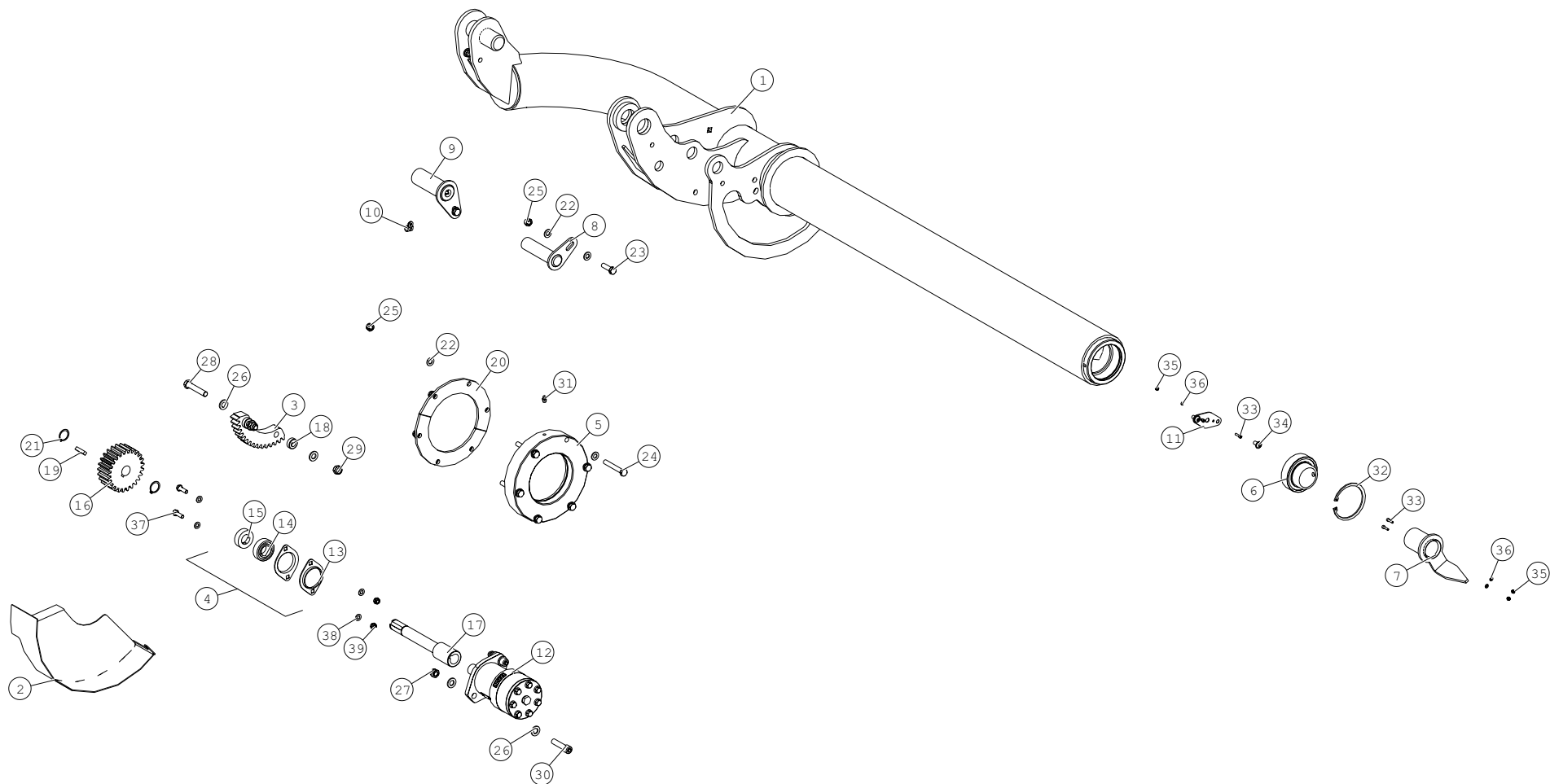
POS. NR.	TEILE NR.	STUCK	BENENNUNG	DESCRIPTION	DESIGNATION	TECHNISCHE ANGABEN
POS. NR.	PART NR.	QUANTITY				TECHNICAL DATA
POS. NO.	PIECE NO.	QUANTITEE				DONNEES TECHNIQUES
37	FAS02006	2		M12 Spring Lock Washer [DIN 127]		
38	FAS17017	2		External Circlip - 30 X 1.5 [DIN 471]		
39	FAS16031	4		Internal Circlip - 55 X 2 [DIN 472]		
40	FAS16043	2		Internal Circlip - 80 X 2.5 [DIN 472]		
41	FAS06130	1		M10 X 60 Hex Bolt [DIN 931]		
42	FAS05006	1		M10 Locknut [DIN 985]		
43	FAS01006	15		M12 Flat Washer [DIN 125]		

TANCO Q200/Q300    SPDW0033\_2

| ROCKING ROLLERS ASSEMBLY (RHS)|

[BLANK PAGE]

### 3.1 SPDW0033\_1 ROCKING ROLLER ARM ASSEMBLY (RHS)



POS. NR.	TEILE NR.	STUCK	BENENNUNG	DESCRIPTION	DESIGNATION	TECHNISCHE ANGABEN
POS. NR.	PART NR.	QUANTITY				TECHNICAL DATA
POS. NO.	PIECE NO.	QUANTITEE				DONNEES TECHNIQUES
1	AWW00017	1		Roller Arm Frame - Right		
2	AWW00061	1		Double Drive Gear Cover - RHS		
3	AWW00062	1		Double Drive Gear		
4	34321243	1		Flange Bearing (SAPFL 205)		
5	CAW00065	1		Nylon Bearing		
6	CBE00005	1		50mm Bearing CUC210		
7	CAW00073	1		Alignment Sensor Bracket		
8	CAW00077	1		Width Cylinder Pin		
9	CAW00078	2		Roller Arm Pivot Pin		
10	CSW00016	1		P Clamp		
11	CAW00095	1		Rotation Sensor Mounitng		
12	CHY00043	1		CS 160cc Motor		
13	CBE00014	2		Bearing Flange Plate		
14	34321244	1		FHYSA 205 Bearing Insert		
15	CBE00013	1		25mm Locking Collar		
16	CAW00106	1		Double Drive Motor Gear		
17	CAW00108	1		Double Drive Shaft		
18	CAW00107	2		Gear Spacer		
19	34270105	1		8mm x 7mm x 32 Key Steel		
20	CAW00109	2		Nylon Bearing Retaining Profile		
21	FAS17013	2		External Circlip - 25 X 1.2 [DIN 471]		
22	FAS01005	18		M10 Flat Washer [DIN 125]		
23	FAS07349	3		M10 X 35 Hex Set [DIN 933]		
24	FAS06136	6		M10 X 70 Hex Bolt [DIN 931]		
25	FAS05006	9		M10 Locknut [DIN 985]		
26	FAS01006	8		M12 Flat Washer [DIN 125]		
27	FAS05009	2		M12 Locknut [DIN 985]		
28	FAS09117	2		M12x1.25 X 65 Hex Bolt [DIN 960]		
29	FAS05010	2		M12x1.25 Locknut [DIN 985]		
30	FAS11299	2		M12 X 50 Allen Head Set [DIN 912]		
31	FAS27004	1		M8 x 1.0 Grease Nipple [DIN 71412 A]		
32	FAS16047	1		Internal Circlip - 90 X 3 [DIN 472]		
33	FAS11013	4		M4 X 16 Allen Head Set [DIN 912]		
34	FAS22019	2		M8 X 16 Hex Socket Button Head Set [ISO 7380-2]		
35	FAS05001	4		M4 Locknut [DIN 985]		
36	FAS01001	4		M4 Flat Washer [DIN 125]		

**3.1 SPDW0033\_1**      ROCKING ROLLER ARM ASSEMBLY (RHS) CONT'D

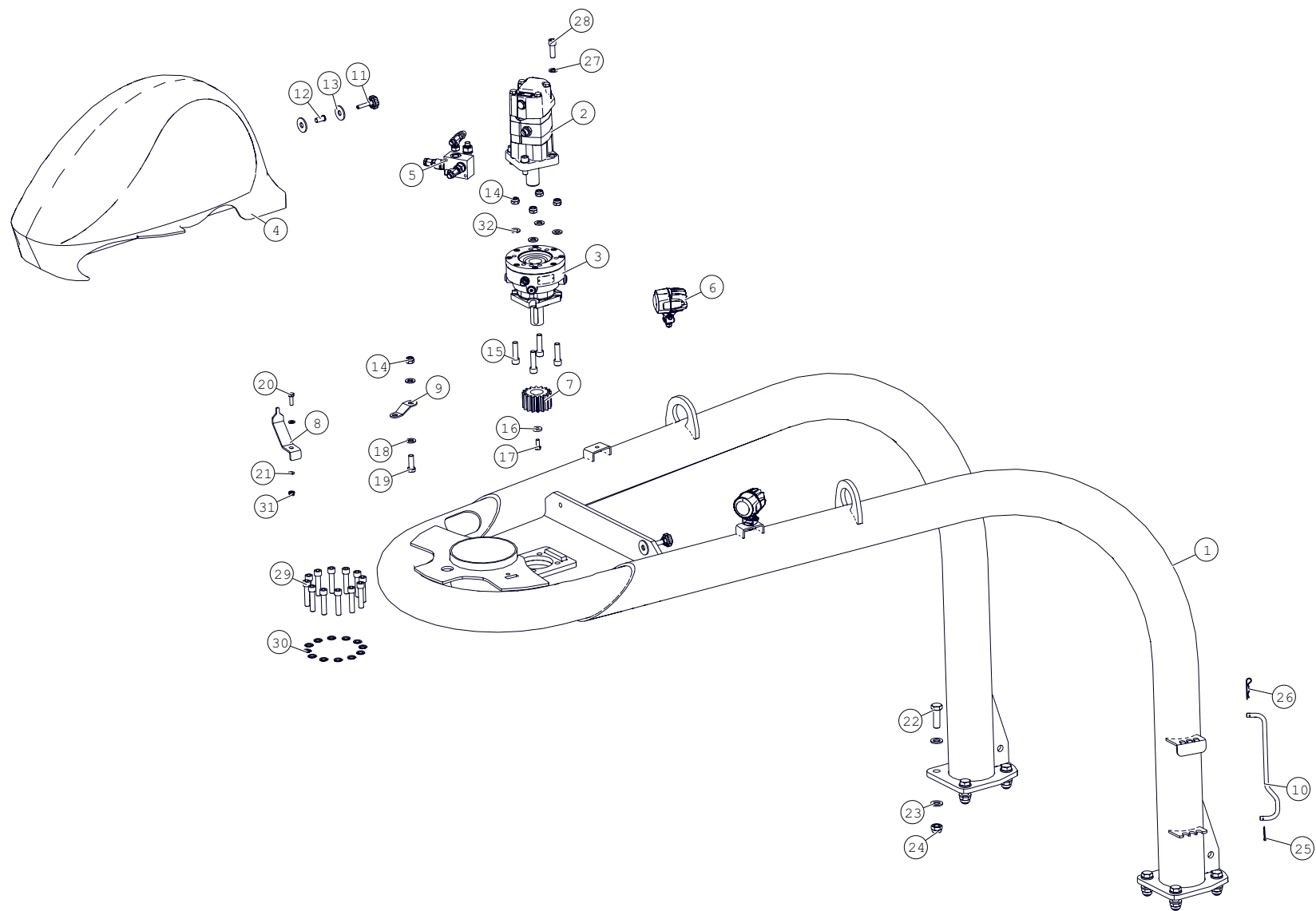
POS. NR.	TEILE NR.	STUCK	BENENNUNG	DESCRIPTION	DESIGNATION	TECHNISCHE ANGABEN
POS. NR.	PART NR.	QUANTITY				TECHNICAL DATA
POS. NO.	PIECE NO.	QUANTITEE				DONNEES TECHNIQUES
37	FAS07094	2		M8 X 25 Hex Set [DIN 933]		
38	FAS01004	4		M8 Flat Washer [DIN 125]		
39	FAS05004	2		M8 Locknut [DIN 985]		

TANCO Q200/Q300 SPDW0033\_1

| ROCKING ROLLER ARM ASSEMBLY (RHS)|

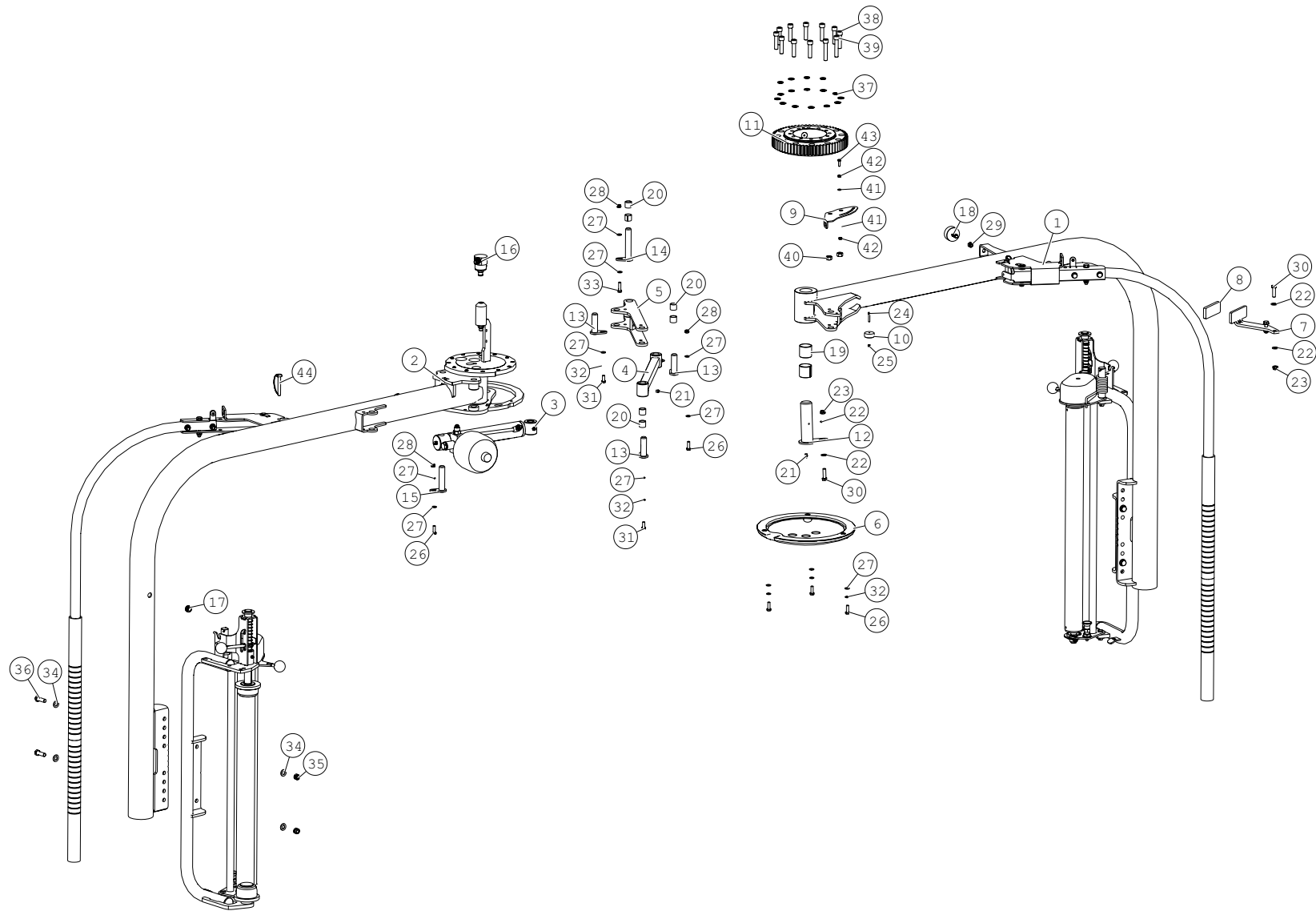
[BLANK PAGE]

## 4. SPDW0074 TOWER ASSEMBLY



POS. NR.	TEILE NR.	STUCK	BENENNUNG	DESCRIPTION	DESIGNATION	TECHNISCHE ANGABEN
POS. NR.	PART NR.	QUANTITY				TECHNICAL DATA
POS. NO.	PIECE NO.	QUANTITEE				DONNEES TECHNIQUES
1	AWW00043	1		Tower Frame		
2	CHY00039	1		2k 195cc Motor		
3	CHY00038	1		Brake Unit		
4	CAW00131	1		Motor Cover		
5	1330031	1		Relief Valve		
6	CSW00013	1		Hella Close Range Upright Light		
7	CAW00037	1		16T Pinion		
8	1340216	1		Slip Ring Bracket		
9	1330636	1		Rotation Sensor Bracket		
10	CAW00142	1		Arm Parking Bracket		
11	1340087	2		Handwheel (Scallop Male M8 x 40mm)		
12	Z25-08	2		M8 Fastner Riv-Nut		
13	FAS03006	4		M12 Plain Washer - Large Series [DIN 9021]		
14	FAS05009	5		M12 Locknut [DIN 985]		
15	FAS11296	4		M12 X 45 Allen Head Set [DIN 912]		
16	FAS01122	1		M8 Clamping Device Washer [DIN 6340]		
17	FAS07091	1		M8 X 20 Hex Set [DIN 933]		
18	FAS01006	2		M12 Flat Washer [DIN 125]		
19	FAS07184	1		M12 X 35 Hex Set [DIN 933]		
20	FAS07094	1		M8 X 25 Hex Set [DIN 933]		
21	FAS01004	2		M8 Flat Washer [DIN 125]		
22	FAS06203	8		M16 X 50 Hex Bolt [DIN 931]		
23	FAS01008	16		M16 Flat Washer [DIN 125]		
24	FAS05046	8		M16 Locknut [DIN 985]		
25	FAS18030	1		Split Pin 3.2 x 28 [DIN 94]		
26	FAS34001	1		2mm R-clip Type E [DIN 11024]		
27	FAS02006	4		M12 Spring Lock Washer [DIN 127]		
28	FAS11289	4		M12 X 35 Allen Head Set [DIN 912]		
29	FAS12234	12		M12x1.25 X 55 Allen Head Set [DIN 912]		
30	FAS30106	12		M12 Nordlock Washers (Pairs)		
31	FAS05004	1		M8 Locknut [DIN 985]		
32	FAS01006	4		M12 Flat Washer [DIN 125]		

### 5. Q200 - SPDW0012\_1 WRAP ARM ASSEMBLY



POS. NR. POS. NR. POS. NO.	TEILE NR. PART NR. PIECE NO.	STUCK QUANTITY QUANTITEE	BENENNUNG	DESCRIPTION	DESIGNATION	TECHNISCHE ANGABEN TECHNICAL DATA DONNEES TECHNIQUES
1	AWW00021	1		Primary Slave Wrapping Arm		
2	AWW00020	1		Main Wrapping Arm		
3	1518170	1		Folding Cylinder		
4	1330440	1		S Series Folding Linkage		
5	1314400	1		Fixed Linkage Assembly		
6	CAW00113	1		Wrap Cable Protection Disc		
7	CAW00114	1		Safety Arm Stop		
8	1314502	1		100 x 40mm Rubber Pad		
9	1340027	1		Unfold Sensor Bracket		
10	1309201	1		RDS Sensor Magnet		
11	1330051	1		Slew Ring 65T Counter Bored		
12	1330420	1		Wrap Arm Pivot Pin		
13	1315407	3		Linkage / Ram Pin		
14	1315403	1		Main Arm Linkage Pin		
15	1315405	1		Linkage / Ram Pin		
16	CHY00047	1		Rotary Union		
17	CSW00031	5		12.7 Open Grommet		
18	Z40-28	1		50mm x 21 Type D Buffer		
19	Z03-20-27 DU	2		40mm ID, 40mm Long		
20	Z03-20-32	6		DX Bush 20mm ID X 20mm Long		
21	FAS27004	3		M8 x 1.0 Grease Nipple [DIN 71412 A]		
22	FAS01005	6		M10 Flat Washer [DIN 125]		
23	FAS05006	3		M10 Locknut [DIN 985]		
24	FAS06019	1		M5 X 30 Hex Bolt [DIN 931]		
25	FAS05002	1		M5 Locknut [DIN 985]		
26	FAS07094	5		M8 X 25 Hex Set [DIN 933]		
27	FAS01004	11		M8 Flat Washer [DIN 125]		
28	FAS05004	3		M8 Locknut [DIN 985]		
29	FAS04009	1		M10 Plain Hex Nut [DIN 934]		
30	FAS07349	3		M10 X 35 Hex Set [DIN 933]		
31	FAS07091	2		M8 X 20 Hex Set [DIN 933]		
32	FAS02004	5		M8 Spring Lock Washer [DIN 127]		
33	FAS06079	1		M8 X 30 Hex Bolt [DIN 931]		
34	FAS01006	8		M12 Flat Washer [DIN 125]		
35	FAS05009	4		M12 Locknut [DIN 985]		
36	FAS07184	4		M12 X 35 Hex Set [DIN 933]		

**5. SPDW0012\_1 WRAP ARM ASSEMBLY CONT'D**

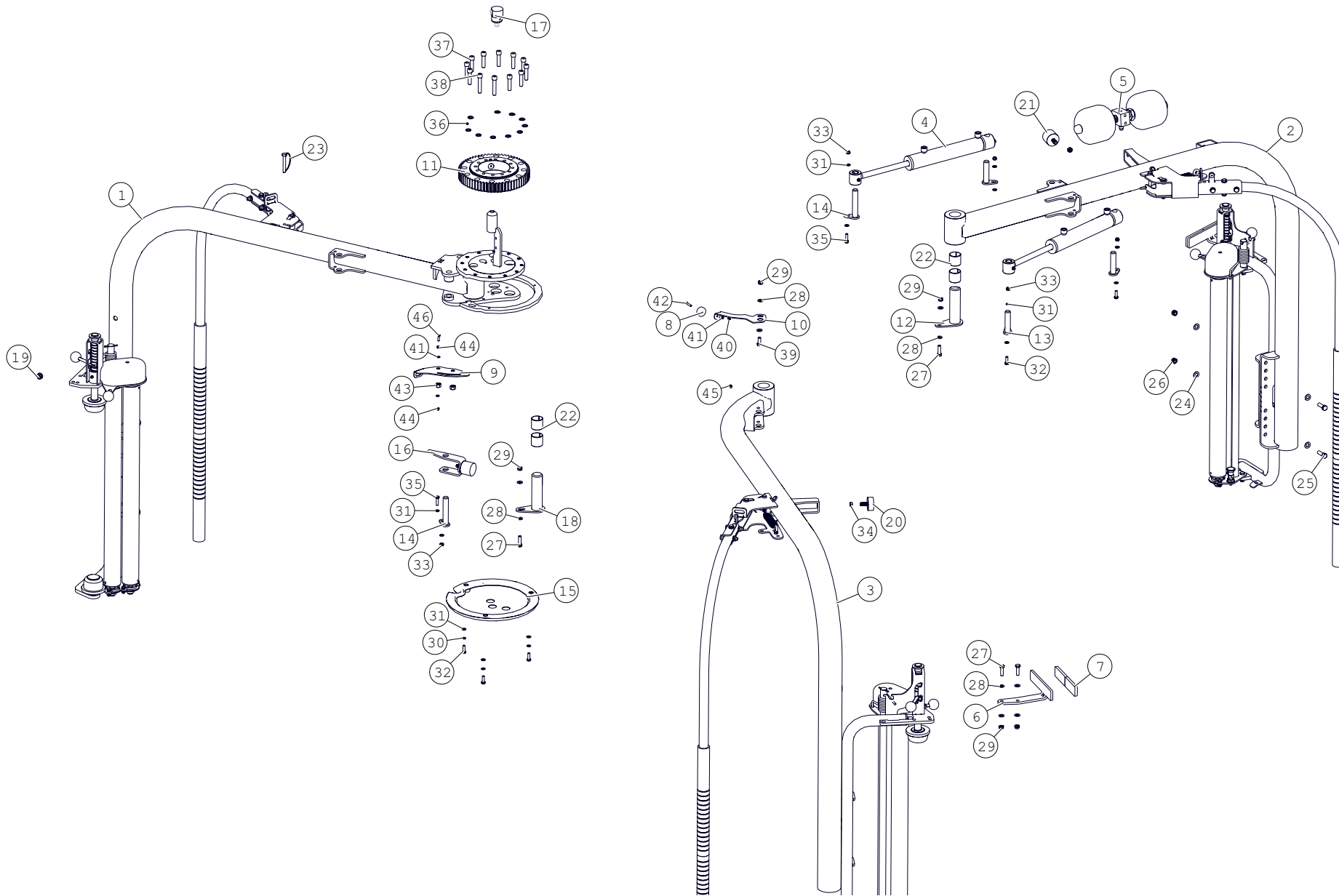
POS. NR. POS. NR. POS. NO.	TEILE NR. PART NR. PIECE NO.	STUCK QUANTITY QUANTITEE	BENENNUNG	DESCRIPTION	DESIGNATION	TECHNISCHE ANGABEN TECHNICAL DATA DONNEES TECHNIQUES
37	FAS30106	16		M12 Nordlock Washers (Pairs)		
38	FAS12231	10		M12x1.25 X 50 Allen Head Set [DIN 912]		
39	FAS12246	2		M12x1.25 X 65 Allen Head Set [DIN 912]		
40	FAS04012	2		M12x1.25 Plain Hex Nut [DIN 934]		
41	FAS01003	2		M6 Flat Washer [DIN 125]		
42	FAS04004	2		M6 Plain Hex Nut [DIN 934]		
43	FAS07055	1		M6 X 20 Hex Set [DIN 933]		
44	Z03-22-07	2		3/8" Curved Linch Pin		

TANCO Q200 SPDW0012\_1

| WRAP ARM ASSEMBLY |

[BLANK PAGE]

### 5. Q300 - SPDW0076 WRAP ARM ASSEMBLY



POS. NR. POS. NR. POS. NO.	TEILE NR. PART NR. PIECE NO.	STUCK QUANTITY QUANTITEE	BENENNUNG	DESCRIPTION	DESIGNATION	TECHNISCHE ANGABEN TECHNICAL DATA DONNEES TECHNIQUES
1	AWW00020	1		Main Wrapping Arm		
2	AWW00050	1		Secondary Slave Arm		
3	AWW00051	1		Tertiary Slave Wrap Arm		
4	1330020	2		Tri Arm Unfold Cylinder		
5	1330021	1		Accumulator Kit		
6	CAW00115	2		Safety Arm Stop_Wide		
7	1314502	4		100 x 40mm Rubber Pad		
8	1309201	1		RDS Sensor Magnet		
9	1340027	1		Unfold Sensor Bracket		
10	1330637	1		Unfold Magnet Bracket		
11	1330051	1		Slew Ring 65T Counter Bored		
12	CAW00158	1		Wrap Arm Pivot Pin		
13	1315405	3		Linkage / Ram Pin		
14	1315403	2		Main Arm Linkage Pin		
15	CAW00113	1		Wrap Cable Protection Disc		
16	CAW00091	1		Unfold Buffer Mounting		
17	CHY00047	1		Rotary Union		
18	1330420	1		Wrap Arm Pivot Pin		
19	CSW00031	9		12.7 Open Grommet		
20	Z40-28	1		50mm x 21 Type D Buffer		
21	Z40-20	2		50mm x 42 Type D Buffer		
22	Z03-20-27 DU	4		40mm ID, 40mm Long		
23	Z03-22-07	3		3/8" Curved Linch Pin		
24	FAS01006	12		M12 Flat Washer [DIN 125]		
25	FAS07184	6		M12 X 35 Hex Set [DIN 933]		
26	FAS05009	6		M12 Locknut [DIN 985]		
27	FAS07349	6		M10 X 35 Hex Set [DIN 933]		
28	FAS01005	15		M10 Flat Washer [DIN 125]		
29	FAS05006	8		M10 Locknut [DIN 985]		
30	FAS02004	3		M8 Spring Lock Washer [DIN 127]		
31	FAS01004	13		M8 Flat Washer [DIN 125]		
32	FAS07094	5		M8 X 25 Hex Set [DIN 933]		
33	FAS05004	5		M8 Locknut [DIN 985]		
34	FAS04009	2		M10 Plain Hex Nut [DIN 934]		
35	FAS07097	3		M8 X 30 Hex Set [DIN 933]		
36	FAS30106	16		M12 Nordlock Washers (Pairs)		

**5. SPDW0076 WRAP ARM ASSEMBLY CONT'D**

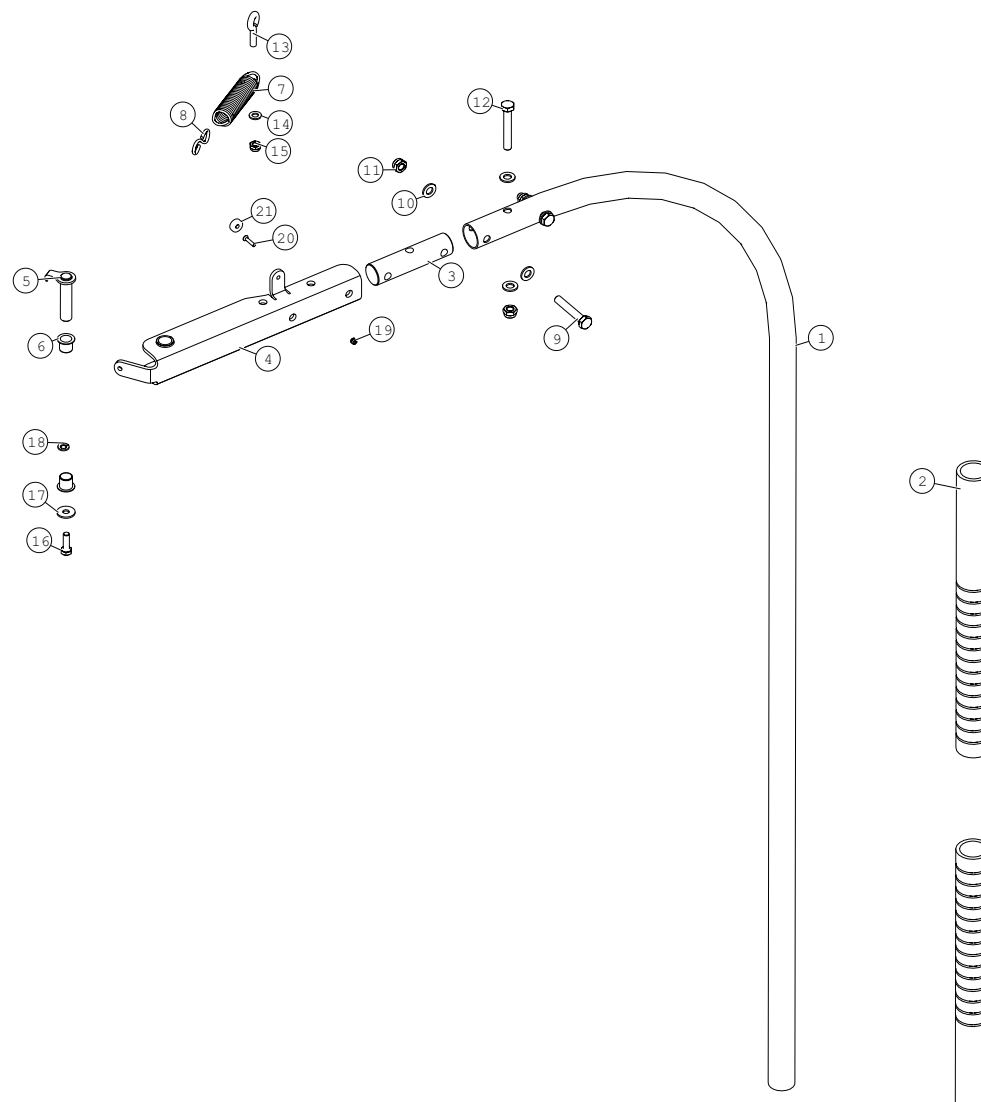
POS. NR. POS. NR. POS. NO.	TEILE NR. PART NR. PIECE NO.	STUCK QUANTITY QUANTITEE	BENENNUNG	DESCRIPTION	DESIGNATION	TECHNISCHE ANGABEN TECHNICAL DATA DONNEES TECHNIQUES
37	FAS12231	10		M12x1.25 X 50 Allen Head Set [DIN 912]		
38	FAS12246	2		M12x1.25 X 65 Allen Head Set [DIN 912]		
39	FAS07139	1		M10 X 25 Hex Set [DIN 933]		
40	FAS05003	1		M6 Locknut [DIN 985]		
41	FAS01003	3		M6 Flat Washer [DIN 125]		
42	FAS13051	1		M6 X 30 Countersunk Allen Head Set [DIN 7991]		
43	FAS04012	2		M12x1.25 Plain Hex Nut [DIN 934]		
44	FAS04004	2		M6 Plain Hex Nut [DIN 934]		
45	FAS27004	1		M8 x 1.0 Grease Nipple [DIN 71412 A]		
46	FAS07055	1		M6 X 20 Hex Set [DIN 933]		

TANCO Q300 SPDW0076

| WRAP ARM ASSEMBLY |

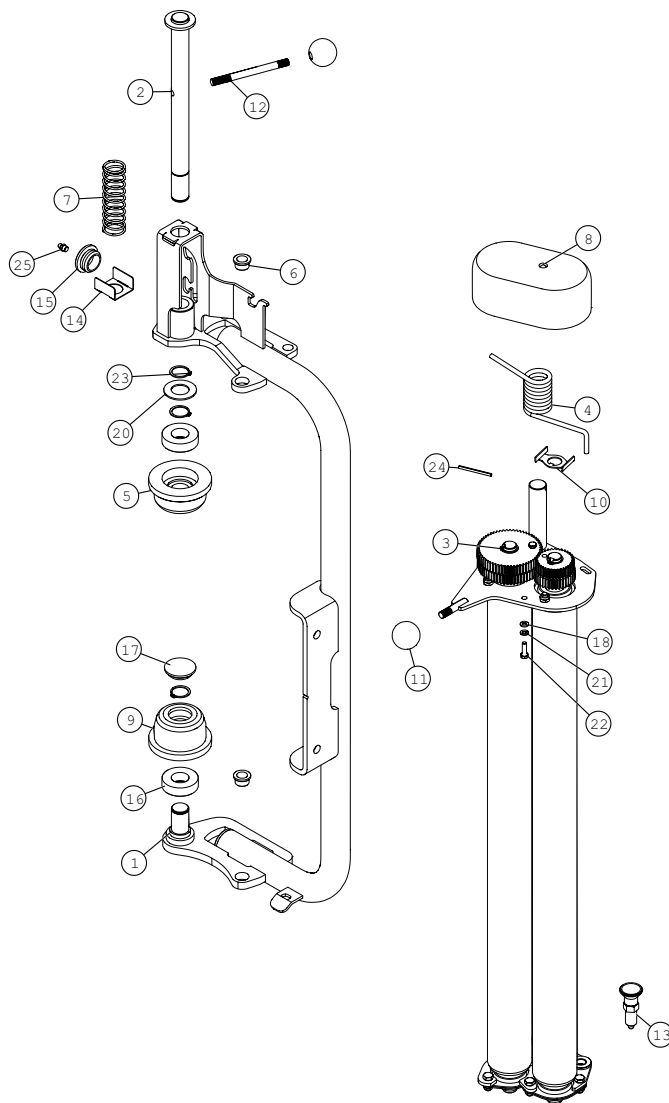
[BLANK PAGE]

### 5.1 SPDW0012\_2 SAFETY ARM ASSEMBLY



POS. NR. POS. NR. POS. NO.	TEILE NR. PART NR. PIECE NO.	STUCK QUANTITY QUANTITEE	BENENNUNG	DESCRIPTION	DESIGNATION	TECHNISCHE ANGABEN TECHNICAL DATA DONNEES TECHNIQUES
1	CAW00152	1		Safety Arm Tube		
2	1330043	2		Safety Arm Foam Cover		
3	CAW00034	1		Nylon Insert		
4	CWW00100	1		Safety Arm Pivot Profile		
5	CAW00035	1		Safety Arm Pivot Pin		
6	CAW00031	2		IGUS Safety Arm Pivot Bush		
7	34430300	1		Pull Spring (∅ 26 x 3.25 x 12)		
8	34660111	1		S Hook (4mm x 35mm)		
9	FAS06130	2		M10 X 60 Hex Bolt [DIN 931]		
10	FAS01005	6		M10 Flat Washer [DIN 125]		
11	FAS05006	3		M10 Locknut [DIN 985]		
12	FAS06133	1		M10 X 65 Hex Bolt [DIN 931]		
13	FAS36002	1		M8 x 30mm Turned Eye Bolt		
14	FAS01004	1		M8 Flat Washer [DIN 125]		
15	FAS05004	1		M8 Locknut [DIN 985]		
16	FAS07094	1		M8 X 25 Hex Set [DIN 933]		
17	FAS03004	1		M8 Plain Washer - Large Series [DIN 9021]		
18	FAS02004	1		M8 Spring Lock Washer [DIN 127]		
19	FAS05001	1		M4 Locknut [DIN 985]		
20	FAS13009	1		M4 X 20 Countersunk Allen Head Set [DIN 7991]		
21	1309206	1		Red Magnet		

## 5.2 SPDW0010 DISPENSER ASSEMBLY

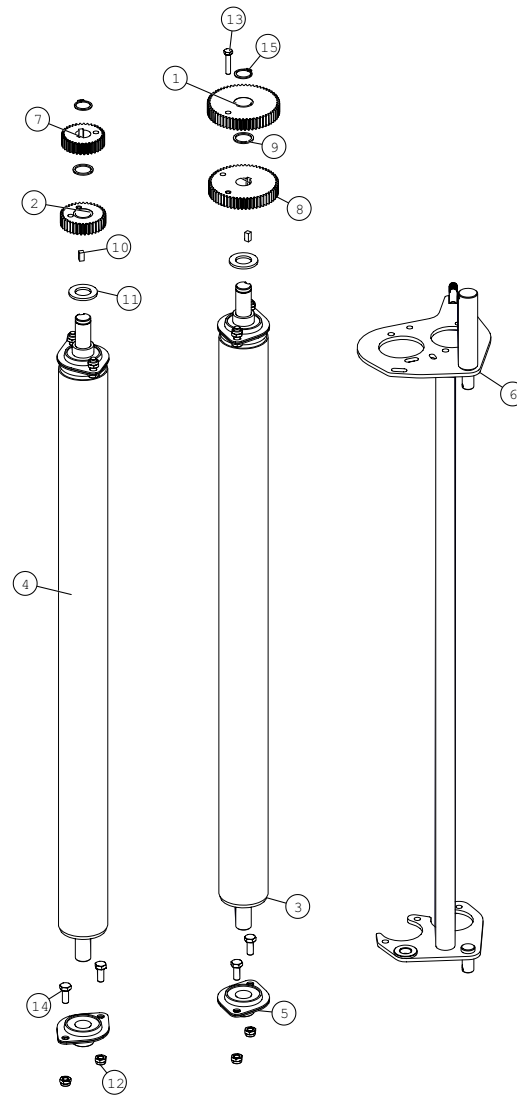


POS. NR. POS. NR. POS. NO.	TEILE NR. PART NR. PIECE NO.	STUCK QUANTITY QUANTITEE	BENENNUNG	DESCRIPTION	DESIGNATION	TECHNISCHE ANGABEN TECHNICAL DATA DONNEES TECHNIQUES
1	AWW00013	1		Dispenser Frame		
2	CAW00042	1		Top Cone Mounting Pin		
3	CAW00046	1		Dispenser Insert Assembly		
4	1115109	1		Dispenser Torsion Spring		
5	1115110	1		Upper Cone		
6	1115111	2		Dispenser Insert Pivot Bush		
7	1305021	1		Compression Spring		
8	1305125	1		Dispenser Gearbox Cover TDG01		
9	1405006	1		Bottom Nylon Cone		
10	2011066	1		A200 Film Break Bracket		
11	CAW00043	2		Dispenser Ball Handle		
12	CAW00044	1		Cone Rod		
13	CAW00045	1		Dispenser Index Plunger		
14	CAW00066	1		Spring Retainer Profile		
15	CSW00002	2		42mm OD Tube Cap		
16	Z06-AWRB	2		Ball Bearing (6205-ZZ LDK)		
17	Z32-15F	1		1 1/4" NB Tube Insert (37mm)		
18	FAS01003	2		M6 Flat Washer [DIN 125]		
19	FAS01007	2		M14 Flat Washer [DIN 125]		
20	FAS01017	1		M25 Flat Washer [Light Duty]		
21	FAS02003	2		M6 Spring Lock Washer [DIN 127]		
22	FAS07055	2		M6 X 20 Hex Set [DIN 933]		
23	FAS17013	3		External Circlip - 25 X 1.2 [DIN 471]		
24	FAS19022	3		M4 X 50 Roll Pin [DIN 1481]		
25	FAS27005	1		M8 x 1.25 Grease Nipple [DIN 71412 A]		

TANCO Q200/Q300 SPDW0010

| DISPENSER ASSEMBLY |

### 5.3 CAW00046 DISPENSER INSERT

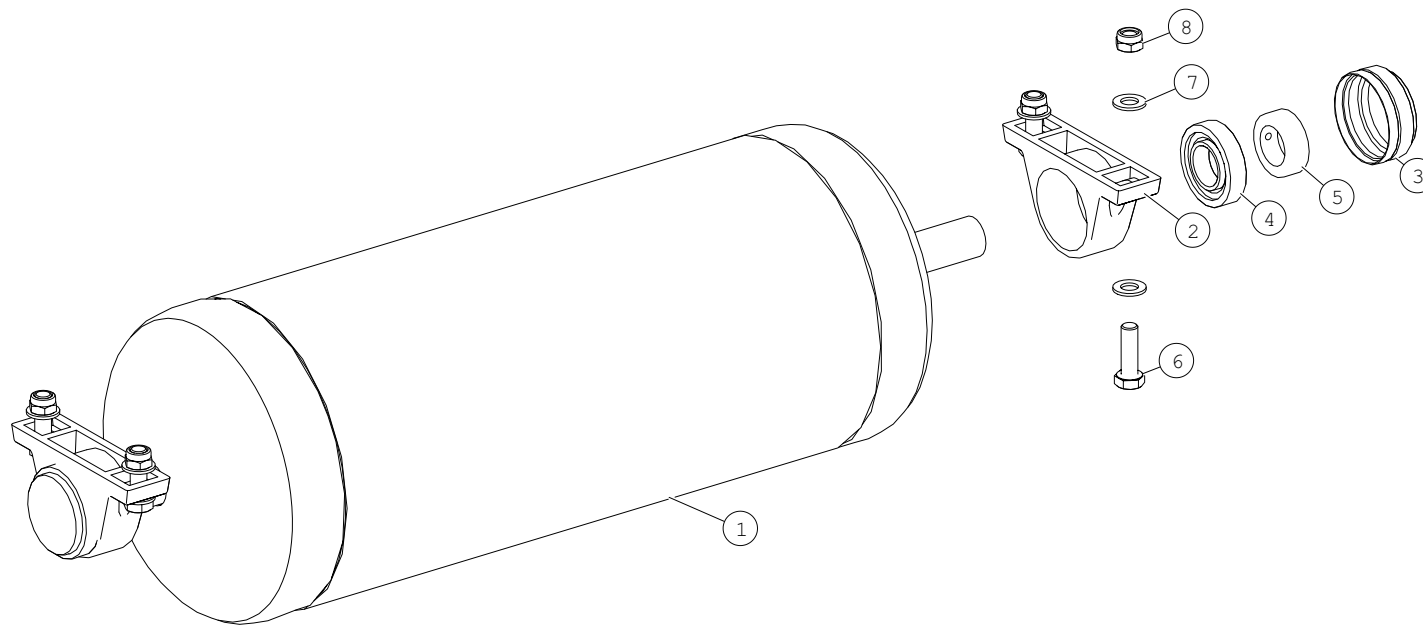


POS. NR. POS. NR. POS. NO.	TEILE NR. PART NR. PIECE NO.	STUCK QUANTITY QUANTITEE	BENENNUNG	DESCRIPTION	DESIGNATION	TECHNISCHE ANGABEN TECHNICAL DATA DONNEES TECHNIQUES
1	1305101	1		60T x 16mm 70% Dispenser Gear		
2	1305104	1		37T x 16mm 55% Dispenser Gear		
3	1305120	1		Inner Roller		
4	1305121	1		Outer Roller		
5	1305122	4		RHP Bearing SLFL20A (204)		
6	AWW00026	1		Dispenser Insert Frame		
7	1305102	1		35T x 16mm 70% Dispenser Gear		
8	1305103	1		55% Disp. Gear (58T x 16mm)		
9	1305115	2		Copper Washer		
10	1305123	2		6mm Key Steel x 12mm Long		
11	FAS01010	2		M20 Flat Washer [DIN 125]		
12	FAS05004	8		M8 Locknut [DIN 985]		
13	FAS06040	1		M6 X 30 Hex Bolt [DIN 931]		
14	FAS07091	8		M8 X 20 Hex Set [DIN 933]		
15	FAS17009	2		External Circlip - 20 X 1.2 [DIN 471]		

TANCO Q200/Q300 CAW00046

| DISPENSER INSERT |

## 6. SPDW0028 GROUND ROLLER

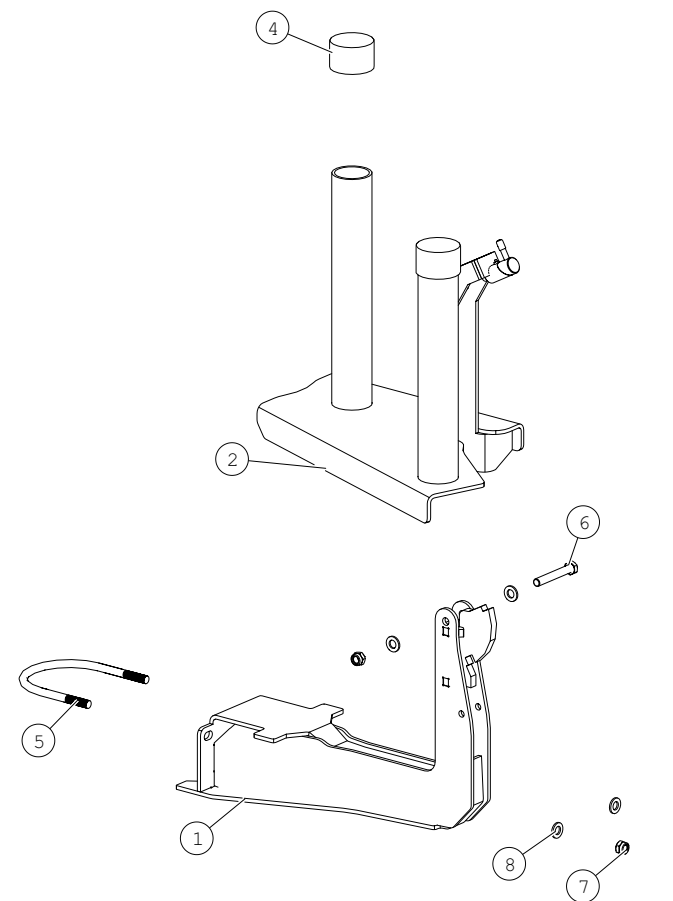
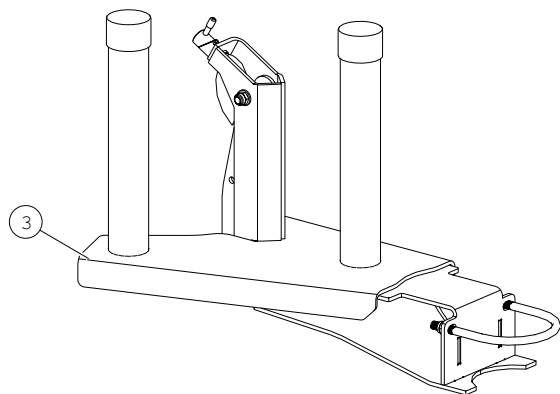


POS. NR. POS. NR. POS. NO.	TEILE NR. PART NR. PIECE NO.	STUCK QUANTITY QUANTITEE	BENENNUNG	DESCRIPTION	DESIGNATION	TECHNISCHE ANGABEN TECHNICAL DATA DONNEES TECHNIQUES
1	1340085	1		Ground Roller		
2	CBE00016	1		Pilliw Block Bearing Housing		
3	BR-SMK207	2		Bearing Cap (207)		
4	CBE00017	1		7202 Bearing		
5	CBE00015	1		35mm Locking Collar		
6	FAS07439	4		M14 X 45 Hex Set [DIN 933]		
7	FAS01007	8		M14 Flat Washer [DIN 125]		
8	FAS05012	4		M14 Locknut [DIN 985]		

TANCO Q200/Q300 SPDW0028

| GROUND ROLLER |

## 7. SPDW0096 FILM HOLDER

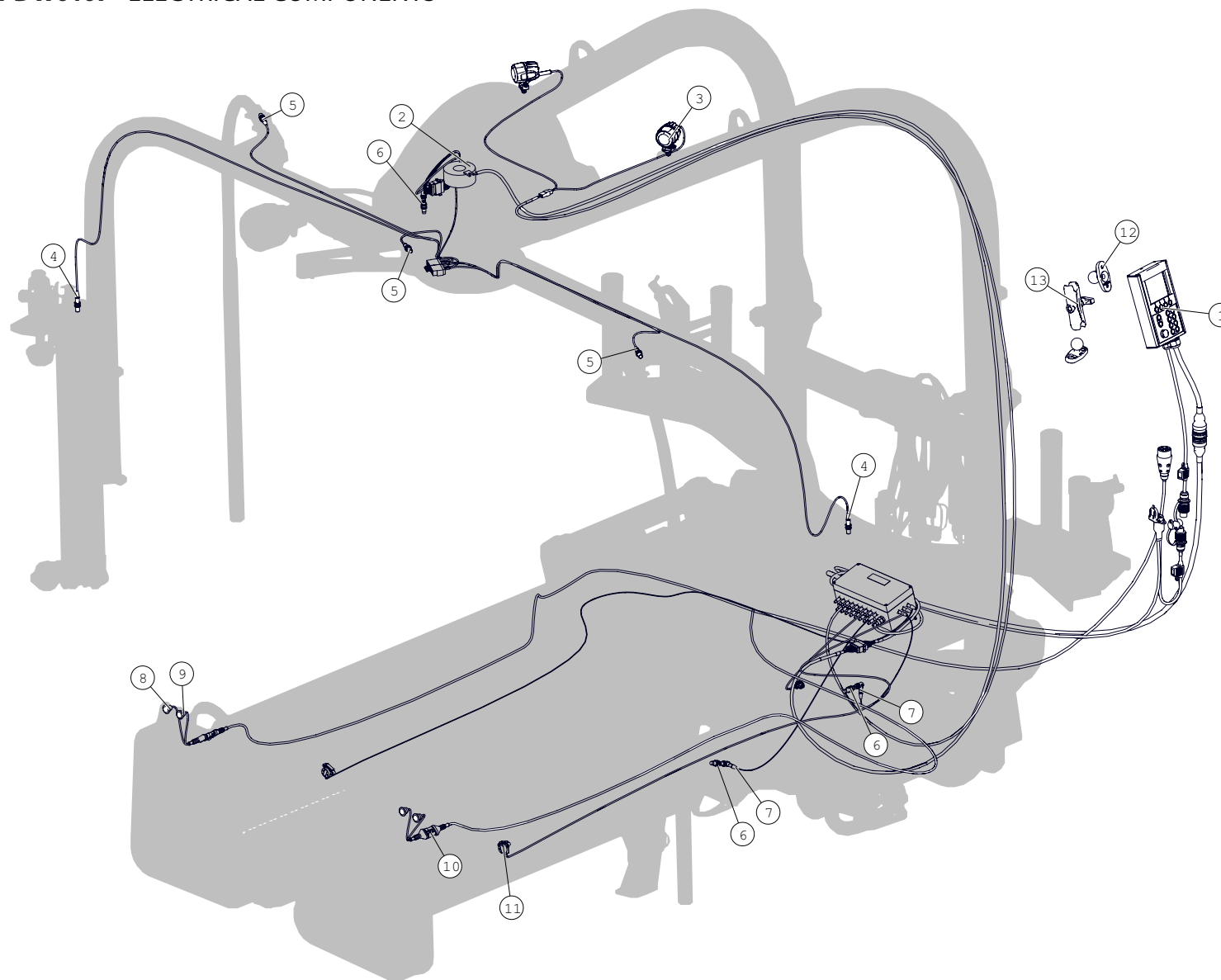


POS. NR. POS. NR. POS. NO.	TEILE NR. PART NR. PIECE NO.	STUCK QUANTITY QUANTITEE	BENENNUNG	DESCRIPTION	DESIGNATION	TECHNISCHE ANGABEN TECHNICAL DATA DONNEES TECHNIQUES
1	AWW00073	2		Roll Holder Mounitng Bracket		
2	AWW00088	1		Double Roll Holder Frame _LHS		
3	AWW00087	1		Double Roll Holder Frame _RHS		
4	Z32-085	4		2 3/8" NB Tube External Cap		
5	CAW00079	2		M12 x 127 ID U Bolt		
6	FAS06175	2		M12 X 80 Hex Bolt [DIN 931]		
7	FAS05009	6		M12 Locknut [DIN 985]		
8	FAS01006	8		M12 Flat Washer [DIN 125]		

TANCO Q200/Q300 SPDW0096

| FILM HOLDER |

## 8. Q200 - SPDW0107 ELECTRICAL COMPONENTS

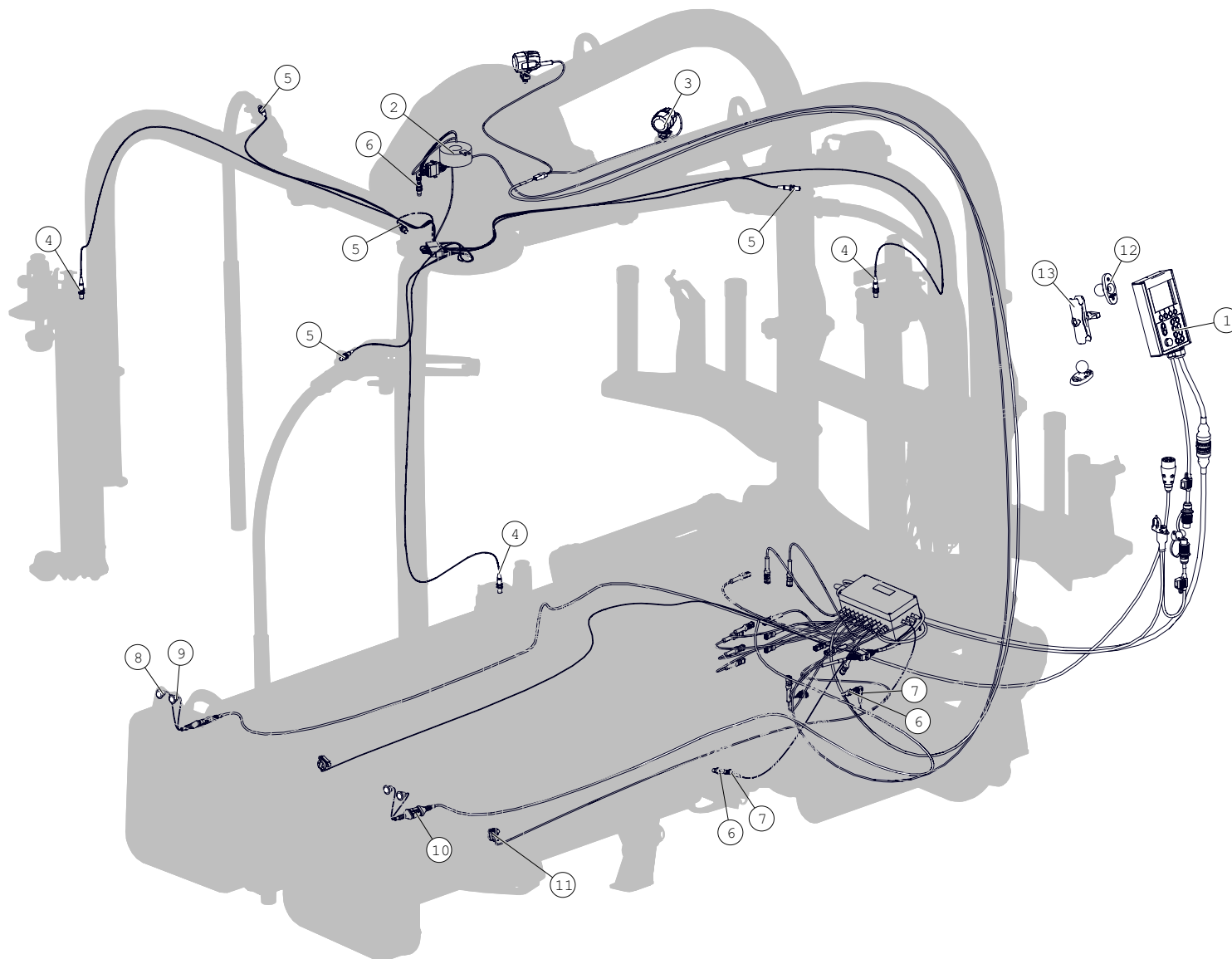


POS. NR. POS. NR. POS. NO.	TEILE NR. PART NR. PIECE NO.	STUCK QUANTITY QUANTITEE	BENENNUNG	DESCRIPTION	DESIGNATION	TECHNISCHE ANGABEN TECHNICAL DATA DONNEES TECHNIQUES
1	CKC00099	1		Expert Plus 2 Headunit (Q Series)		
2	1330055	1		Ø38 ID - 6 way Electrical Slip Ring		
3	CSW00013	2		Hella Close Range Upright Light		
4	CEL00007	2		M12 Reed Type Sesnor (3M Cable)		
5	CEL00031	3		M12 Reed Type Sesnor (2M Cable)		
6	CEL00010	3		M12 Inductive Proximity Sensor		
7	CEL00034	2		M12 Angled Inductive Sensor (5M Cable)		
8	CEL00005	2		Indicator Marker LED		
9	CEL00006	2		Brake Marker LED		
10	CEL00030	2		Superseal Connector Assembly		
11	CAW00099	2		Rotation Sensing Kit - Right		
12	CAW00146	2		Ball Base		
13	CAW00145	1		Double Socket Arm		

TANCO Q200 SPDW0107

| ELECTRICAL COMPONENTS |

## 8. Q300 - SPDW0108 ELECTRICAL COMPONENTS

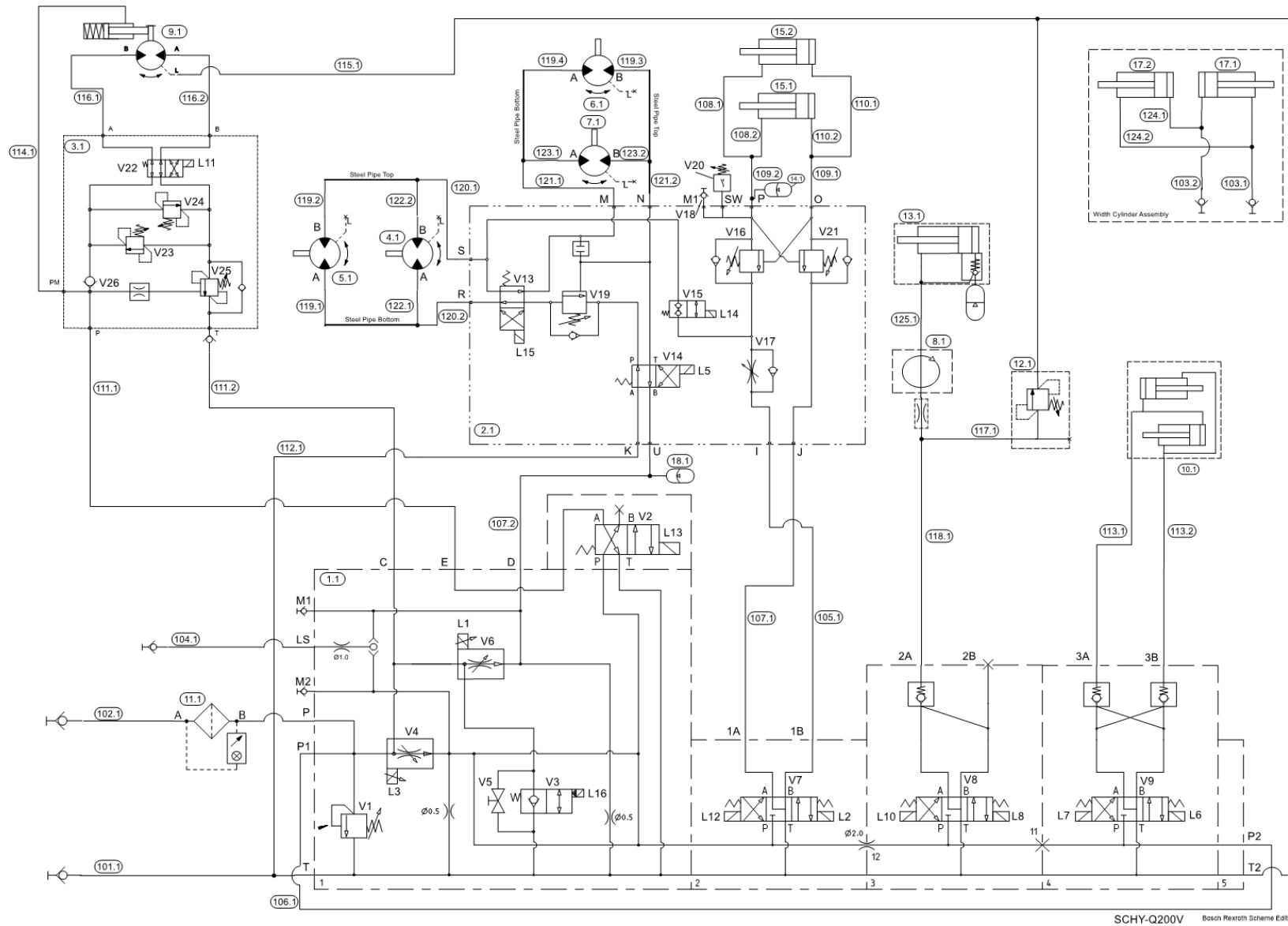


POS. NR. POS. NR. POS. NO.	TEILE NR. PART NR. PIECE NO.	STUCK QUANTITY QUANTITEE	BENENNUNG	DESCRIPTION	DESIGNATION	TECHNISCHE ANGABEN TECHNICAL DATA DONNEES TECHNIQUES
1	CKC00099	1		Expert Plus 2 Headunit (Q Series)		
2	1330055	1		6 Way Electrical Slip Ring		
3	CSW00013	2		Hella Close Range Upright Light		
4	CEL00007	3		M12 Reed Type Sesnor (3M Cable)		
5	CEL00031	4		M12 Reed Type Sesnor (2M Cable)		
6	CEL00010	3		M12 Inductive Proximity Sensor		
7	CEL00034	2		M12 Angled Inductive Sensor (5M Cable)		
8	CEL00005	2		Indicator Marker LED		
9	CEL00006	2		Brake Marker LED		
10	CEL00030	2		Superseal Connector Assembly		
11	CAW00099	2		Rotation Sensing Kit - Right		
12	CAW00146	2		Ball Base		
13	CAW00145	1		Double Socket Arm		

TANCO Q300 SPDW0108

| ELECTRICAL COMPONENTS |

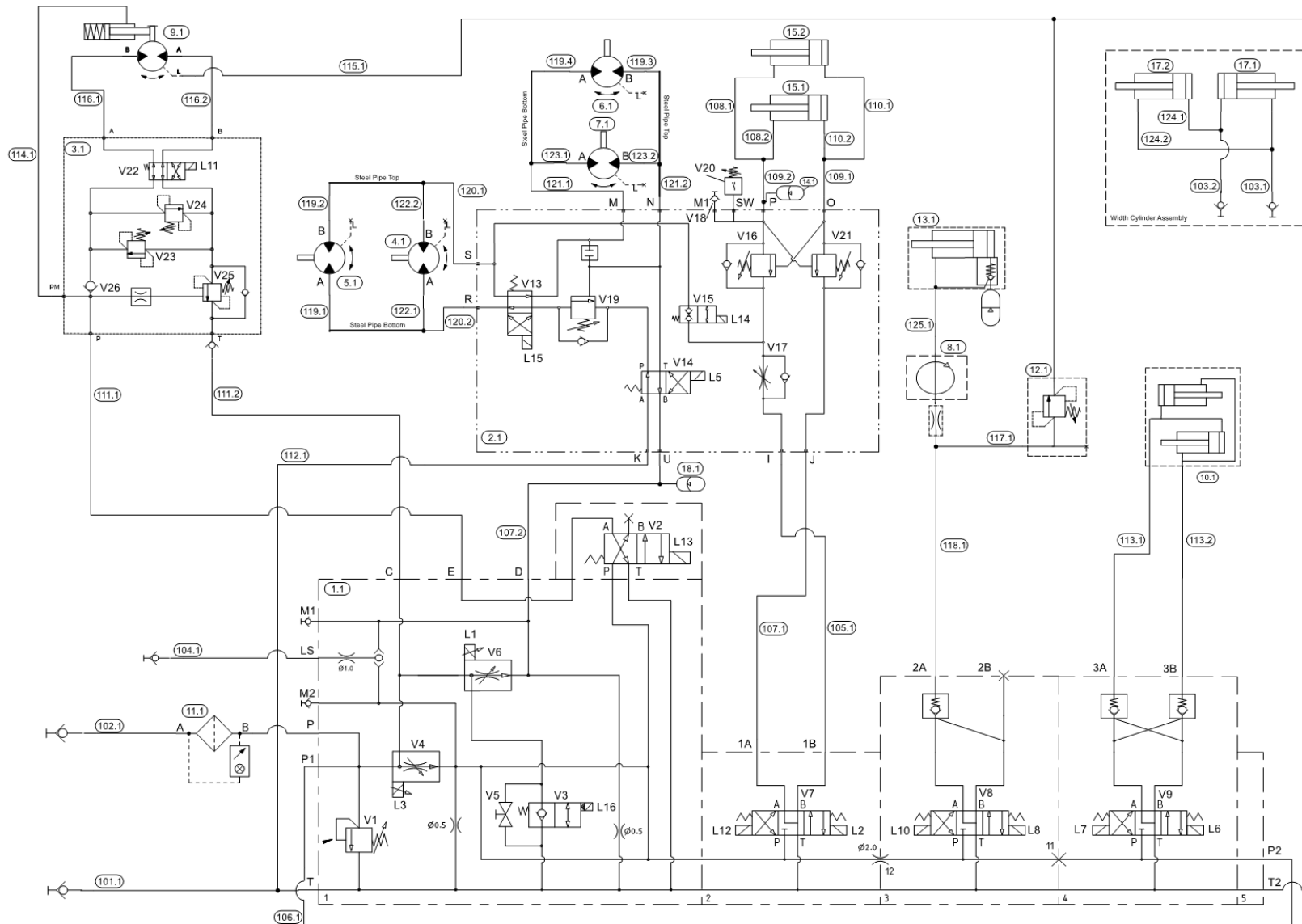
## 9. HYDRAULIC COMPONENTS - Q200



## Hydraulic Components

Pos.	PartNo.	Designation	Qty
1.1	CHY00015	Control Block	1
2.1	CHY00016	Assembly Block	1
3.1	CHY00006	Tower Block	1
4.1	CHY00043	Roller Arm Motor Right 160cc	1
5.1	CHY00036	Roller Motor Right 395cc	1
6.1	CHY00036	Roller Motor Left 395cc	1
7.1	CHY00043	Roller Arm Motor Left 160cc	1
8.1	1330099	Rotary Coupling	1
9.1	CHY00037	Tower Motor (Braked)	1
10.1	1330015	Cut and Start Cylinder Assembly	1
11.1	1308075	Hydraulic Filter	1
12.1	1330031	3/8" Relief Valve	1
13.1	1518170	Unfold Cylinder	1
14.1	1508160	Accumulator 0.7L	1
15.1	CHY00011	Roller open Cylinder LHS	1
15.2	CHY00011	Roller open Cylinder LHS	1
17.1	CHY00017	Width Cylinder RHS	1
17.2	CHY00017	Width Cylinder RHS	1
101.1	FHY00053	0300_2100_0300_0390_00	1
102.1	FHY00054	0300_2000_0300_0300_00	1
103.1	FHY00055	0100_2200_0100_01BJ_00	1
103.2	FHY00055	0100_2200_0100_01BJ_00	1
104.1	FHY00056	0100_2100_0100_0190_00	1
105.1	FHA00029	0200_550_0200_0290_00	1
106.1	FHY00030	0200_300_0290_0290_13	1
107.1	FHA00031	0200_550_0200_0290_00	1
107.2	FHA00031	0200_550_0200_0290_00	1
108.1	FHA00032	0200_800_02BJ_02BJ_10	1
108.2	FHA00032	0200_800_02BJ_02BJ_10	1
109.1	FHA00033	0200_400_0200_0290_00	1
109.2	FHA00033	0200_400_0200_0290_00	1
110.1	FHA00034	0200_500_02BJ_02BJ_10	1
110.2	FHA00034	0200_500_02BJ_02BJ_10	1
111.1	FHA00035	0200_700_02B90_0200_00	1
111.2	FHA00035	0200_700_02B90_0200_00	1
112.1	FHA00036	0200_400_0200_0200_00	1
113.1	FHA00037	0100_1200_0100_0190_00	1
113.2	FHA00037	0100_1200_0100_0190_00	1
114.1	FHA00038	0100_5400_0190_0190_11	1
115.1	FHA00039	0100_5000_0190_0190_12	1
116.1	FHA00040	0200_5400_0290_0200_00	1
116.2	FHA00040	0200_5400_0290_0200_00	1
117.1	FHA00042	0100_400_0190_0190_13	1
118.1	FHA00043	0100_5000_0100_0190_00	1
119.1	FHA00044	0200_400_02B90_0200_00	1
119.2	FHA00044	0200_400_02B90_0200_00	1
119.3	FHA00044	0200_400_02B90_0200_00	1
119.4	FHA00044	0200_400_02B90_0200_00	1
120.1	FHA00045	0200_1800_0290_0590_10	1
120.2	FHA00045	0200_1800_0290_0590_10	1
121.1	FHA00046	0200_2300_0290_0590_06	1
121.2	FHA00046	0200_2300_0290_0590_06	1
122.1	FHA00047	0100_500_0590_0190_10	1
122.2	FHA00047	0100_500_0590_0190_10	1
123.1	FHA00048	0100_500_0590_0190_06	1
123.2	FHA00048	0100_500_0590_0190_06	1
124.1	FHA00049	0100_1500_01BJ_01BJ_13	1
124.2	FHA00049	0100_1500_01BJ_01BJ_13	1
125.1	FHA00041	0100_900_0190_0100_00	1

## 9. HYDRAULIC COMPONENTS - Q300



## Hydraulic Components

Pos.	Part No.	Designation	Qty
1.1	CHY00015	Control Block	1
2.1	CHY00016	Assembly Block	1
3.1	CHY00006	Tower Block	1
4.1	CHY00043	Roller Arm Motor Right 160cc	1
5.1	CHY00036	Roller Motor Right 395cc	1
6.1	CHY00036	Roller Motor Left 395cc	1
7.1	CHY00043	Roller Arm Motor Left 160cc	1
8.1	1330099	Rotary Coupling	1
9.1	CHY00037	Tower Motor (Braked)	1
10.1	SPDW0097	Cut and Start Cylinder Assembly	1
11.1	1308075	Hydraulic Filter	1
12.1	1330031	3/8" Relief Valve	1
14.1	1508160	Accumulator 0.7L	1
15.1	CHY00011	Roller open Cylinder LHS	1
15.2	CHY00011	Roller open Cylinder LHS	1
17.1	CHY00017	Width Cylinder RHS	1
17.2	CHY00017	Width Cylinder RHS	1
18.1	Z01-03-1047	1/4" Variable Restrictor	1
19.1	1330020	Tri arm unfold cylinder	1
19.2	1330020	Tri arm unfold cylinder	1
20.1	1330021	Accumulator Block	1
101.1	FHY00053	0300_2100_0300_0390_00	1
102.1	FHY00054	0300_2000_0300_0300_00	1
103.1	FHY00055	0100_2200_0100_01BJ_00	1
103.2	FHY00055	0100_2200_0100_01BJ_00	1

104.1	FHY00056	0100_2100_0100_0190_00	1
105.1	FHA00029	0200_550_0200_0290_00	1
106.1	FHY00030	0200_300_0290_0290_13	1
107.1	FHA00031	0200_550_0200_0290_00	1
107.2	FHA00031	0200_550_0200_0290_00	1
108.1	FHA00032	0200_800_02BJ_02BJ_10	1
108.2	FHA00032	0200_800_02BJ_02BJ_10	1
109.1	FHA00033	0200_400_0200_0290_00	1
109.2	FHA00033	0200_400_0200_0290_00	1
110.1	FHA00034	0200_500_02BJ_02BJ_10	1
110.2	FHA00034	0200_500_02BJ_02BJ_10	1
111.1	FHA00035	0200_700_02B90_0200_00	1
111.2	FHA00035	0200_700_02B90_0200_00	1
112.1	FHA00036	0200_400_0200_0200_00	1
113.1	FHA00037	0100_1200_0100_0190_00	1
113.2	FHA00037	0100_1200_0100_0190_00	1
114.1	FHA00038	0100_5400_0190_0190_11	1
115.1	FHA00039	0100_5000_0190_0190_12	1
116.1	FHA00040	0200_5400_0290_0200_00	1
116.2	FHA00040	0200_5400_0290_0200_00	1
117.1	FHA00042	0100_400_0190_0190_13	1
118.1	FHA00043	0100_5000_0100_0190_00	1
119.1	FHA00044	0200_400_02B90_0200_00	1
119.2	FHA00044	0200_400_02B90_0200_00	1
119.3	FHA00044	0200_400_02B90_0200_00	1
119.4	FHA00044	0200_400_02B90_0200_00	1

120.1	FHA00045	0200_1800_0290_0590_10	1
120.2	FHA00045	0200_1800_0290_0590_10	1
121.1	FHA00046	0200_2300_0290_0590_06	1
121.2	FHA00046	0200_2300_0290_0590_06	1
122.1	FHA00047	0100_500_0590_0190_10	1
122.2	FHA00047	0100_500_0590_0190_10	1
123.1	FHA00048	0100_500_0590_0190_06	1
123.2	FHA00048	0100_500_0590_0190_06	1
124.1	FHA00049	0100_1500_01BJ_01BJ_13	1
124.2	FHA00049	0100_1500_01BJ_01BJ_13	1
125.1	FHA00050	0100_1100_0190_0190_06	1
126.1	FHA00051	0100_350_0100_01BJ_00	1
126.2	FHA00051	0100_350_0100_01BJ_00	1
127.1	FHA00052	0100_700_0100_0190_00	1



# TANCO



## CONTACT

### Address

Tanco Autowrap Ltd.  
Royal Oak Road,  
Bagenaltown  
Co. Carlow  
Ireland

### Phone & Online

Phone: + 353 59 972 1336  
Email: [info@itanco.com](mailto:info@itanco.com)  
Website: [www.tanco.global](http://www.tanco.global)  
Support: [tanco.zendesk.com](https://tanco.zendesk.com)