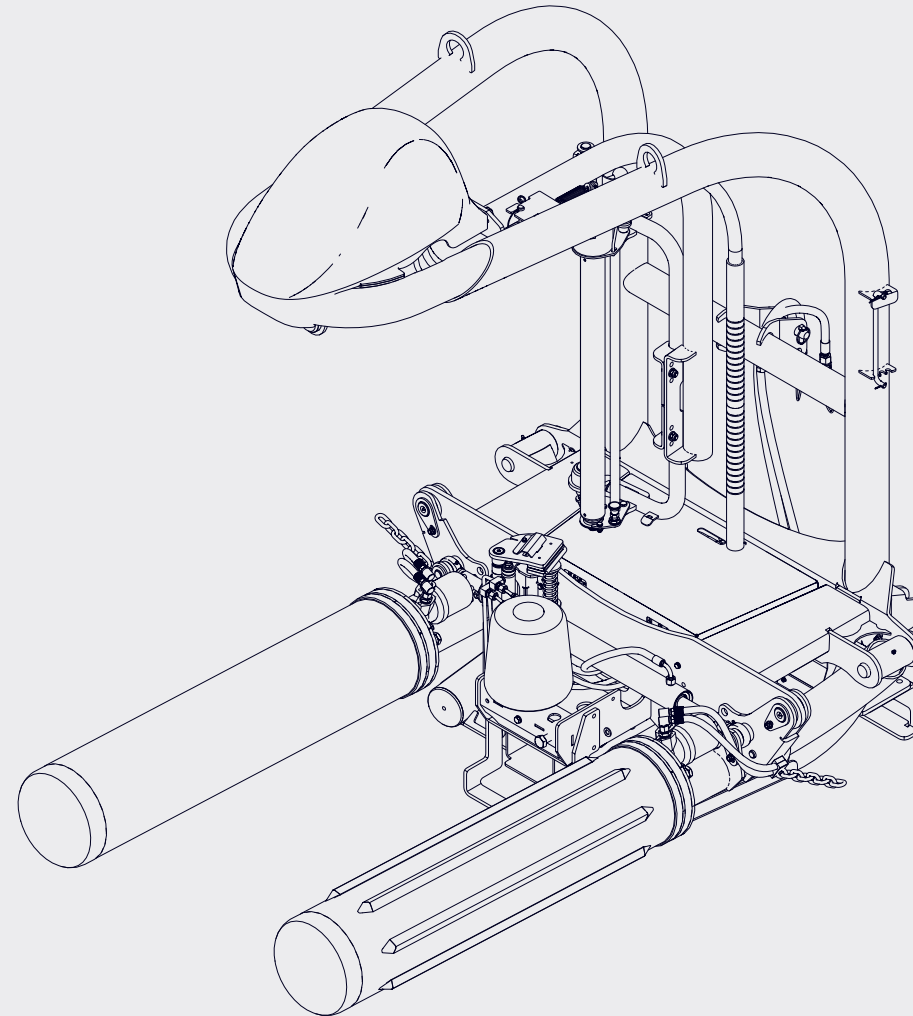




Experts in your field



AUTOWRAP

S100 -A

SPARE PARTS MANUAL

V.009\_EN

**Tanco Autowrap Ltd.**

Royal Oak Road,  
Bagenaltown  
Co. Carlow  
Ireland

Phone: + 353 59 972 1336

Email: [info@itanco.com](mailto:info@itanco.com)

Website: [www.tanco.global](http://www.tanco.global)

Support: [tanco.zendesk.com](mailto:tanco.zendesk.com)



**TANCO**

# TANCO

## S100 Automatic

---

### S100-A Spare Parts List

We recommend that when you require spare parts you use only original parts. When ordering spare parts please follow the following steps;

1. Identify the part you require using the detailed drawings.
2. Once you have identified the part you require reference the item number relating to the part on the item list where you will find the part number and description of the part you require. You will be require to give the complete part no and decription when ordering your part(s).
3. When ordering you must give the Serial Number and Model Number of the machine.
4. All orders must go through your local Tanco Dealer, and must be either faxed or e-mailed to Tanco Autowrap.

### S100-A Ersatzteilliste

Wir empfehlen, nur Originalteile als Ersatzteile zu verwenden. Befolgen Sie bei der Bestellung von Ersatzteilen bitte die folgenden Schritte:

1. Stellen Sie anhand der detaillierten Zeichnungen fest, welches Teil Sie benötigen.
2. Haben Sie das benötigte Teil identifiziert, geben Sie die Teilnummer auf dem Bestellschein an, mit dem Sie das/die Ersatzteil/e bestellen.
3. Geben Sie bei jeder Bestellung die Serien- und die Modellnummer Ihrer Maschine an.
4. Alle Bestellungen müssen über Ihren Tanco-Händler vor Ort erfolgen und müssen Tanco Autowrap als Fax oder E-Mail erreichen.

### Liste des pièces de rechange S100-A

Si vous avez besoin de pièces de rechange, nous vous recommandons de n'utiliser que des pièces garanties d'origine. Pour toute commande de pièces de rechange, veuillez suivre les étapes suivantes :

1. Identifiez la pièce dont vous avez besoin à l'aide des schémas détaillés.
  2. Après avoir identifié la pièce dont vous avez besoin, relevez son numéro de référence dans la liste des pièces dans laquelle vous trouverez également la description de la pièce requise. Lors de la commande, vous devez indiquer la référence et la description complètes de la pièce.
  3. Lors de la commande, vous devrez mentionner le numéro de série et le numéro de modèle de la machine.
  4. Vous devez effectuer toutes les commandes auprès de votre revendeur Tanco local et les faxer ou les envoyer par e-mail à Tanco Autowrap.
-

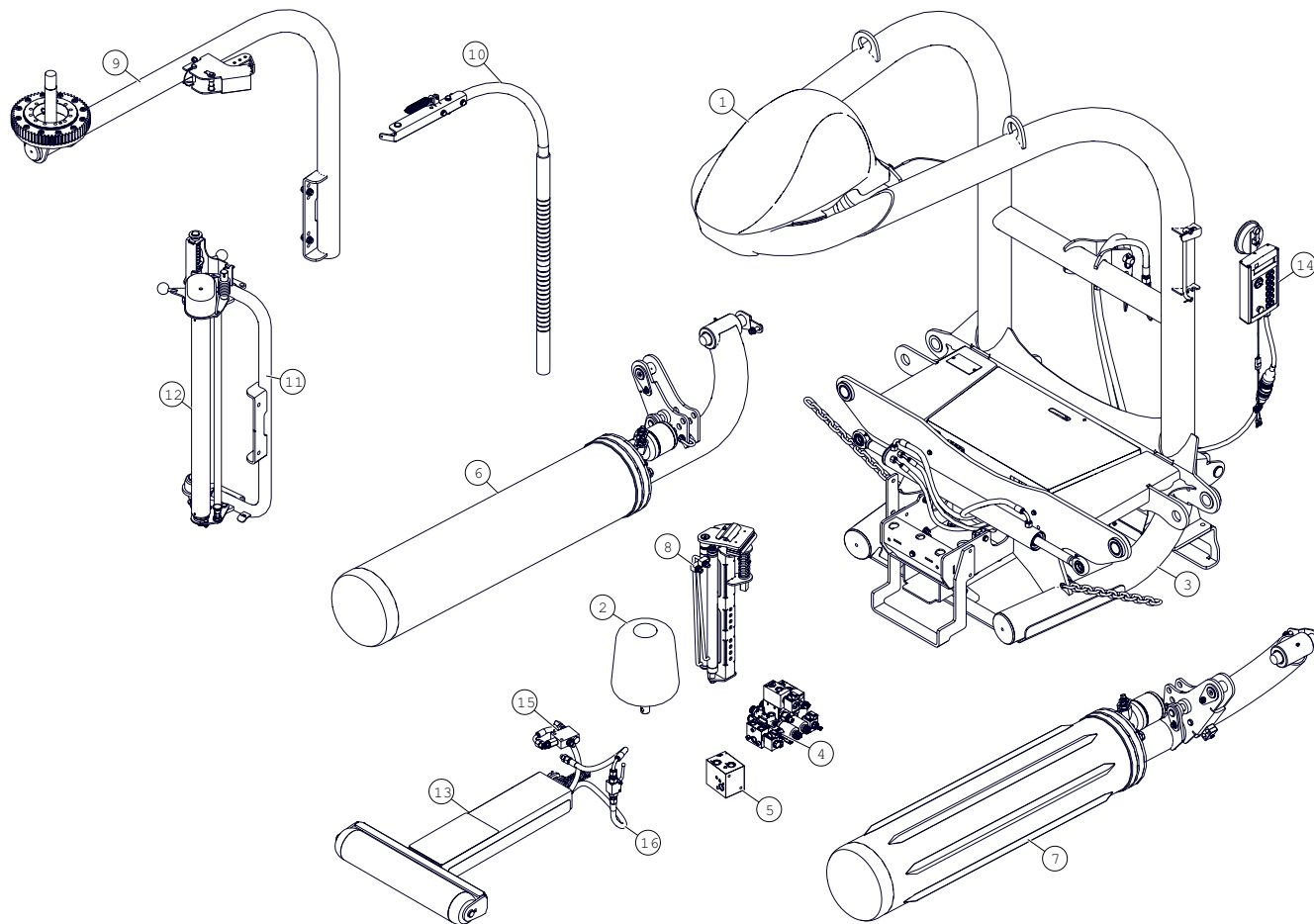
# TABLE OF CONTENTS

---

OVERVIEW . . . . .	4
CHASSIS ASSEMBLY. . . . .	6
BALE SUPPORT ROLLER . . . . .	8
CHASSIS ASSEMBLY. . . . .	.10
ATUOWRAP CONTROL VALVE . . . . .	.12
TOWER BLOCK. . . . .	.14
ROLLER ARM RHS. . . . .	.16
ROLLER ARM LHS. . . . .	.18
CUT & START ASSEMBLY . . . . .	.20
WRAP ARM ASSEMBLY . . . . .	.22
SAFETY ARM ASSEMBLY . . . . .	.24
DISPENSER ARM ASSEMBLY. . . . .	.26
DISPENSER INSERT . . . . .	.28
END TIP ASSEMBLY . . . . .	.30
ELECTRIC COMPONENTS. . . . .	.32
HYDRAULIC COMPONENTS . . . . .	.34
HYDRAULIC HOSES . . . . .	.36

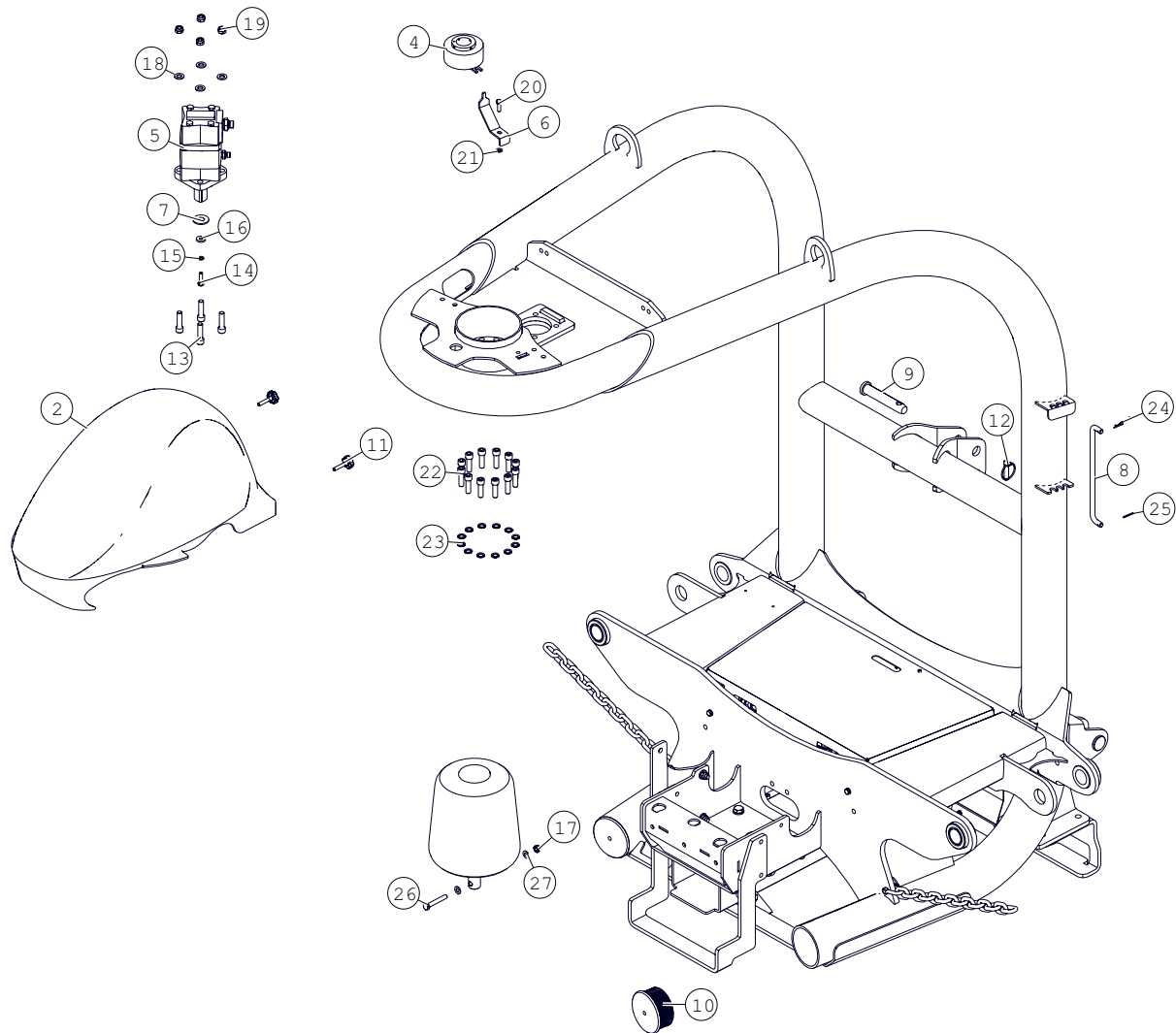
---

## S100-A OVERVIEW



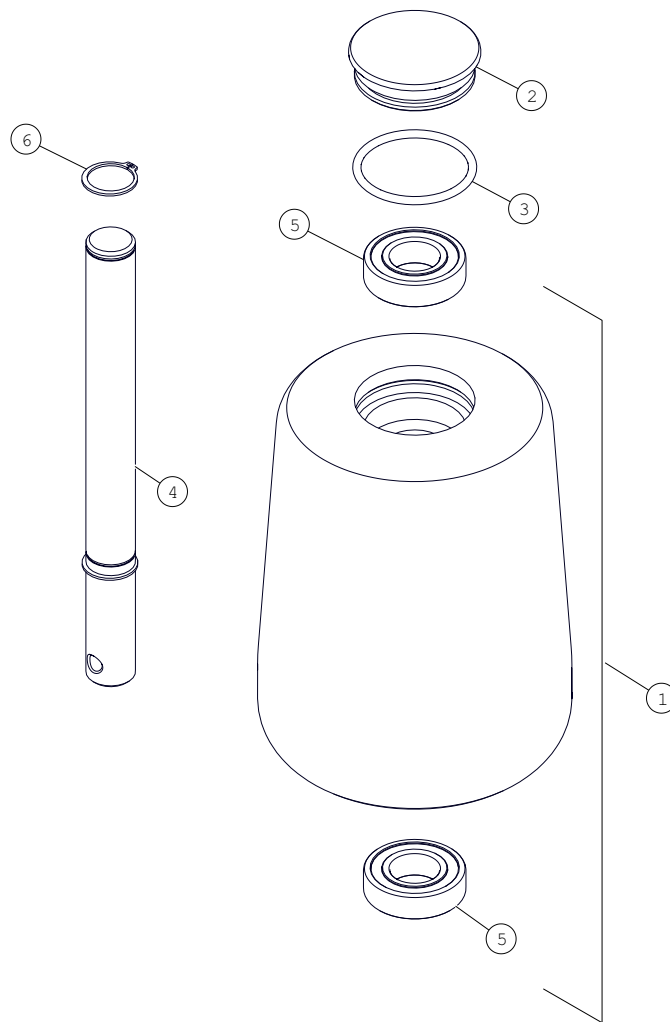
POS. NR.	TEILE NR.	STUCK	BENENNUNG	DESCRIPTION	DESIGNATION
POS. NR.	PART NR.	QUANTITY			
POS. NO.	PIECE NO.	QUANTITEE			
1	SPDW0016	1		AutoWrap Chassis Assembly	Pg 6
2	SPDW0021	1		Bale Support Roller Assembly	Pg 8
3	1340000	1		Chassis Assembly	Pg 10
4	CHY00014	1		AutoWrap Control Valve	Pg 12
5	1308150	1		Tower Block	Pg14
6	SPDW0017	1		Roller Arm RHS	Pg 16
7	SPDW0018	1		Roller Arm LHS	Pg 18
8	SPDW0013	1		Cut & Start Assembly	Pg 20
9	SPDW0091	1		Wrap Arm Assembly	Pg 22
10	CAW00039	1		Safety Arm Assembly	Pg 24
11	SPDW0010	1		Dispenser Assembly	Pg 26
12	1305121	1		Dispenser Insert	Pg 28
13	SPDW0029	1		Autowrap End Tip Assembly	Pg 30
14	SPDW0136	1		Electrical Components	Pg 32
15	SCHYY-S100A	1		Hydraulic Components	Pg 34
16	SCHYY-S100A	1		Hydraulic Hoses	Pg 36

# 1. SPDW0016 AUTOWRAP CHASSIS ASSEMBLY



POS. NR. POS. NR. POS. NO.	TEILE NR. PART NR. PIECE NO.	STUCK QUANTITY	BENENNUNG	DESCRIPTION	DESIGNATION	TECHNISCHE ANGABEN TECHNICAL DATA DONNEES TECHNIQUES
1	1317025	1		Bale Support Roller Assembly		
2	CAW00131	1		Motor Cover		
3	1340000	1		S Series Chassis		
4	1330055	1		way Electrical Slip Ring		Ø38 ID - 6
5	1330071	1		AutoWrap Tower Motor (No Brake)		
6	1340216	1		Slip Ring Bracket		
7	1330639	1		Tower Motor Washer		
8	1330418	1		Vari/Auto Arm Parking Bracket		
9	34105635	1		Top Link Pin		
10	1330778	1		Heavy Duty Black Plastic Cap		Ø114
11	1340087	2		Handwheel (Scallop Male M8 x 40mm)		
12	Z03-22-06	1		Dia Linch Pin		7/16"
13	FAS11296	4		Allen Head Set [DIN 912]		M12 X 45
14	FAS07097	1		Hex Set [DIN 933]		M8 X 30
15	FAS02004	1		Spring Lock Washer [DIN 127]		M8
16	FAS01122	1		Clamping Device Washer [DIN 6340]		M8
17	FAS05006	1		Locknut [DIN 985]		M10
18	FAS01006	4		Flat Washer [DIN 125]		M12
19	FAS05009	4		Locknut [DIN 985]		M12
20	FAS07094	1		Hex Set [DIN 933]		M8 X 25
21	FAS01004	1		Flat Washer [DIN 125]		M8
22	FAS12225	12		Allen Head Set [DIN 912]		M12x1.25 X 40
23	FAS30106	12		Nordlock Washers (Pairs)		M12
24	FAS34001	1		2mm R-clip Type E [DIN 11024]		
25	FAS18030	1		Split Pin [DIN 94]		3.2 x 28
26	FAS06133	1		Hex Bolt [DIN 931]		M10 X 65
27	FAS01005	2		Flat Washer [DIN 125]		M10

## 1.1 1317025 BALE SUPPORT ROLLER



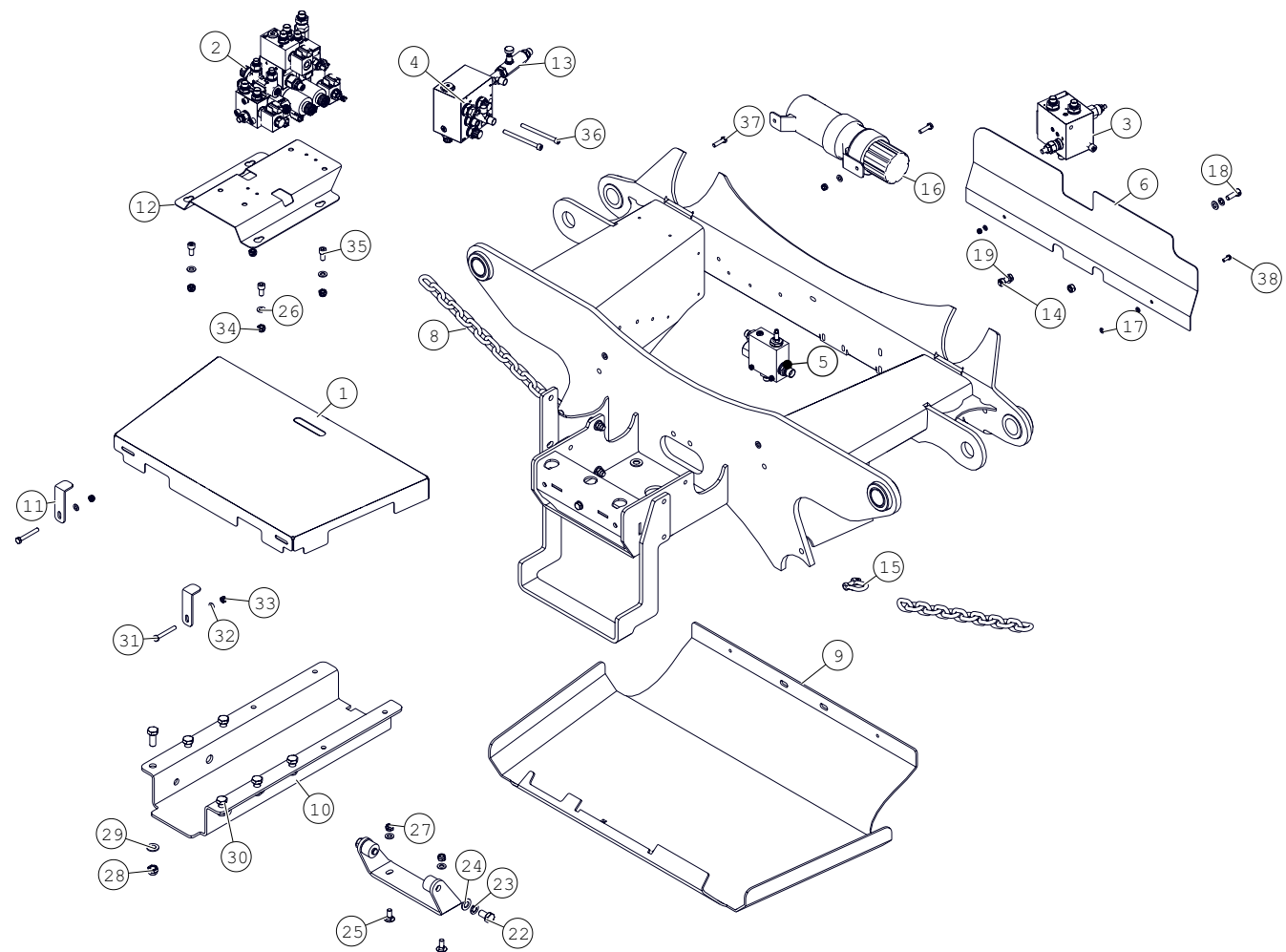
POS. NR.	TEILE NR.	STUCK	BENENNUNG	DESCRIPTION	DESIGNATION	TECHNISCHE ANGABEN
POS. NR.	PART NR.	QUANTITY				TECHNICAL DATA
POS. NO.	PIECE NO.	QUANTITEE				DONNEES TECHNIQUES
1	1340209	1		Bale Support Roller		
2	1340208	1		S Series Cone Roller Cap		
3	1340215	1		O Ring		ID 62 x 5mm
4	1315108	1		Plastic Roller Shaft		
5	34320508	2		Bearing 6206 2RS		
6	FAS17017	2		External Circlip [DIN 471]		30 X 1.5

Tanco S100-A

SPDW0026

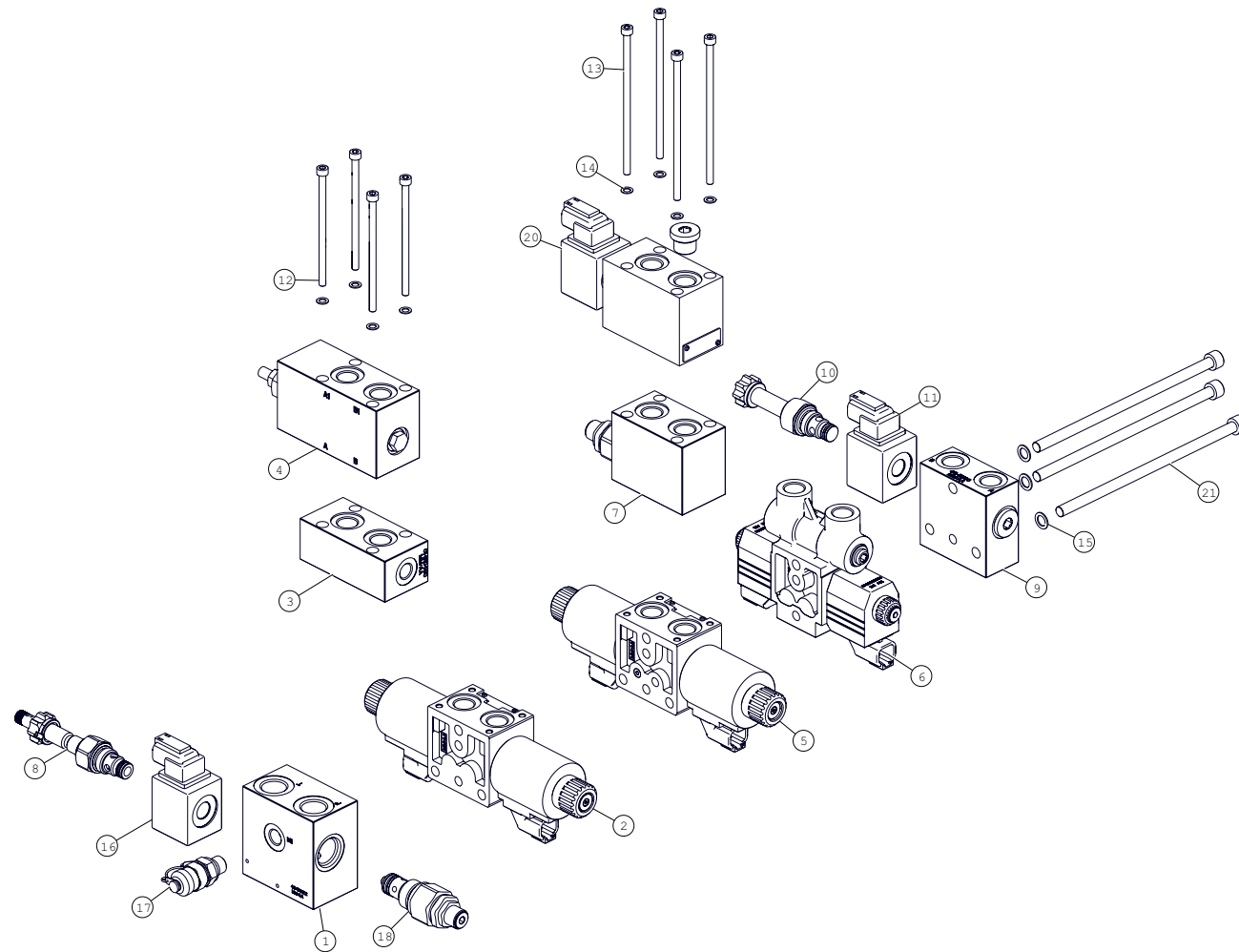
|BALE SUPPORT ROLLER|

## 1.2 SPDW0016\_1 CHASSIS ASSEMBLY



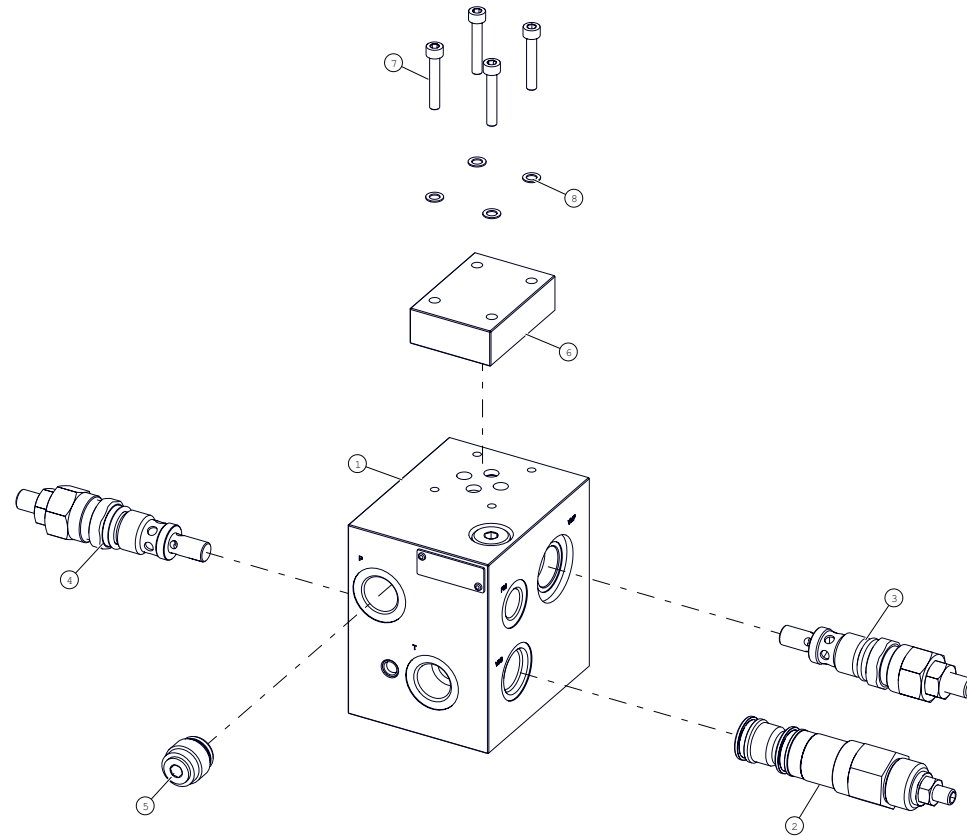
POS. NR.	TEILE NR.	STUCK	BENENNUNG	DESCRIPTION	DESIGNATION	TECHNISCHE ANGABEN
POS. NR.	PART NR.	QUANTITY				TECHNICAL DATA
POS. NO.	PIECE NO.	QUANTITEE				DONNEES TECHNIQUES
1	CAW00160	1		Chassis Valve Cover		
2	CHY00014	1		AutoWrap Control Valve		
3	1308150	1		Tower Block		
4	1308350	1		Assembly Block		
5	Z01-03-10-A7L	1		Priority Flow Regulator		1/2"
6	1340207	1		Valve Mudguard Section block		
7	1340007	1		S Series Sub Chassis		
8	1340125	2		Chain Short Link		9.5mm x 31.5mm x 13.5mm x 14 Link
9	1340200	1		Skid Plate		
10	1340176	1		End-tip folded channel profile		
11	1340088	2		S Series Chassis Cover Bracket		
12	1340198	1		Valve Plate		
13	1318181	1		1310 EH Flow Control Valve (New)		
14	Z18-10	2		M10 Plain Hex Nut Din 934		
15	Z38-03	1		D Shackle		3/8"
16	1330648	1		Plastic manual tube		
17	FAS01003	2		Flat Washer [DIN 125]		M6
18	FAS07142	2		Hex Set [DIN 933]		M10 X 30
19	FAS02005	2		Spring Lock Washer [DIN 127]		M10
22	FAS07361	2		Hex Set [DIN 933]		M14 X 25
23	FAS02007	2		Spring Lock Washer [DIN 127]		M14
24	FAS01007	2		Flat Washer [DIN 125]		M14
25	FAS14011	2		Cup Head Square Neck Bolt [DIN 603]		M10 X 25
26	FAS01005	6		Flat Washer [DIN 125]		M10
27	FAS05006	2		Locknut [DIN 985]		M10
28	FAS05012	6		Locknut [DIN 985]		M14
29	FAS01007	6		Flat Washer [DIN 125]		M14
30	FAS07364	6		Hex Set [DIN 933]		M14 X 35
31	FAS06097	2		Hex Bolt [DIN 931]		M8 X 60
32	FAS01004	2		Flat Washer [DIN 125]		M8
33	FAS05004	2		Locknut [DIN 985]		M8
34	FAS05006	4		Locknut [DIN 985]		M10
35	FAS11211	4		Allen Head Set [DIN 912]		M10 X 20
36	FAS11361	2		Allen Head Set [DIN 912]		M8 X 100
37	FAS07097	2		Hex Set [DIN 933]		M8 X 30
38	FAS07049	2		Hex Set [DIN 933]		M6 X 16

### 1.3 CYH00014 ATUOWRAP CONTROL VALVE



POS. NR.	TEILE NR.	STUCK	BENENNUNG	DESCRIPTION	DESIGNATION	TECHNISCHE ANGABEN
POS. NR.	PART NR.	QUANTITY				TECHNICAL DATA
POS. NO.	PIECE NO.	QUANTITEE				DONNEES TECHNIQUES
1	CVA00052	1		Common Inlet Block		
2	CVA00102	1		ED2 Valve Section Closed Centre		
3	CVA00081	1		Stackable Elements End Tip Block		
4	CVA00086	1		Stackable Element Single Overcentre Valve		
5	CVA00103	1		One Direction ED2 with Deutsch Coil		
6	CVA00101	1		EDB Valve Section With Double Pilot Operated Check & Deutsch Coil		
7	CVA00087	1		Stackable Element Pressure Relief Element		
8	CVA00175	1		Master Valve Lockable		
9	CVA00084	1		End Section with Return Ports		
10	CVA00045	1		Poppet Valve		
11	CVA00059	1		Coil Square Deutsch		
12	CVA00082	4		Allen Head Bolt		M5 x 90
13	CVA00066	4		Allen Head Bolt		M5 x 120
14	CVA00008	8		Flat Washer		M5
15	CVA00003	3		Flat Washer		M8
16	CVA00059	1		Coil Square Deutsch		
17	CVA00046	1		Test Point		
18	CVA00047	1		Pressure Relief Valve		
19	CVA00104	1		Stackable Element Two Speed Valve Deutsch Coil		
20	42-01752_I	3		Allen Head Bolt		M8 x 180

## 1.4 1308150 TOWER BLOCK

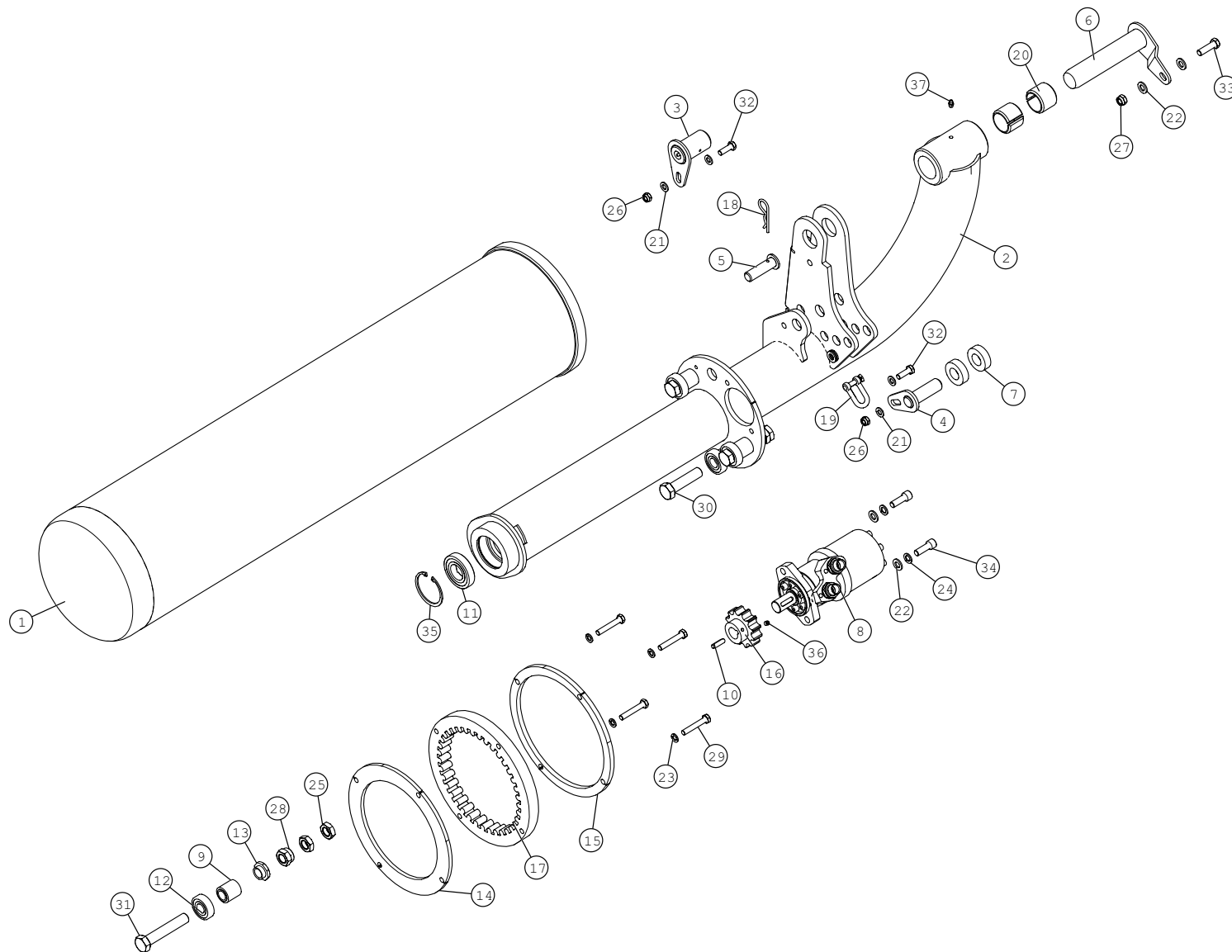


POS. NR.	TEILE NR.	STUCK	BENENNUNG	DESCRIPTION	DESIGNATION	TECHNISCHE ANGABEN
POS. NR.	PART NR.	QUANTITY				TECHNICAL DATA
POS. NO.	PIECE NO.	QUANTITEE				DONNEES TECHNIQUES
1	CVA00166	1		Tower Block Body		
2	CVA00013	1		Counter Balance Valve		
3	CVA00012	1		Cross Sign Relief Valve		
4	CVA00012	1		Cross Sign Relief Valve		
5	CVA00014	1		Insert Check Valve		
6	CVA00170	1		Cetop Cover Plate		
7	CVA00017	4		Allen Head Bolt		M5 x 30
8	CVA00008	4		Flat Washer		M5
9	CVA00015	1		Main Relief Valve		

TANCO S100-A 1308150

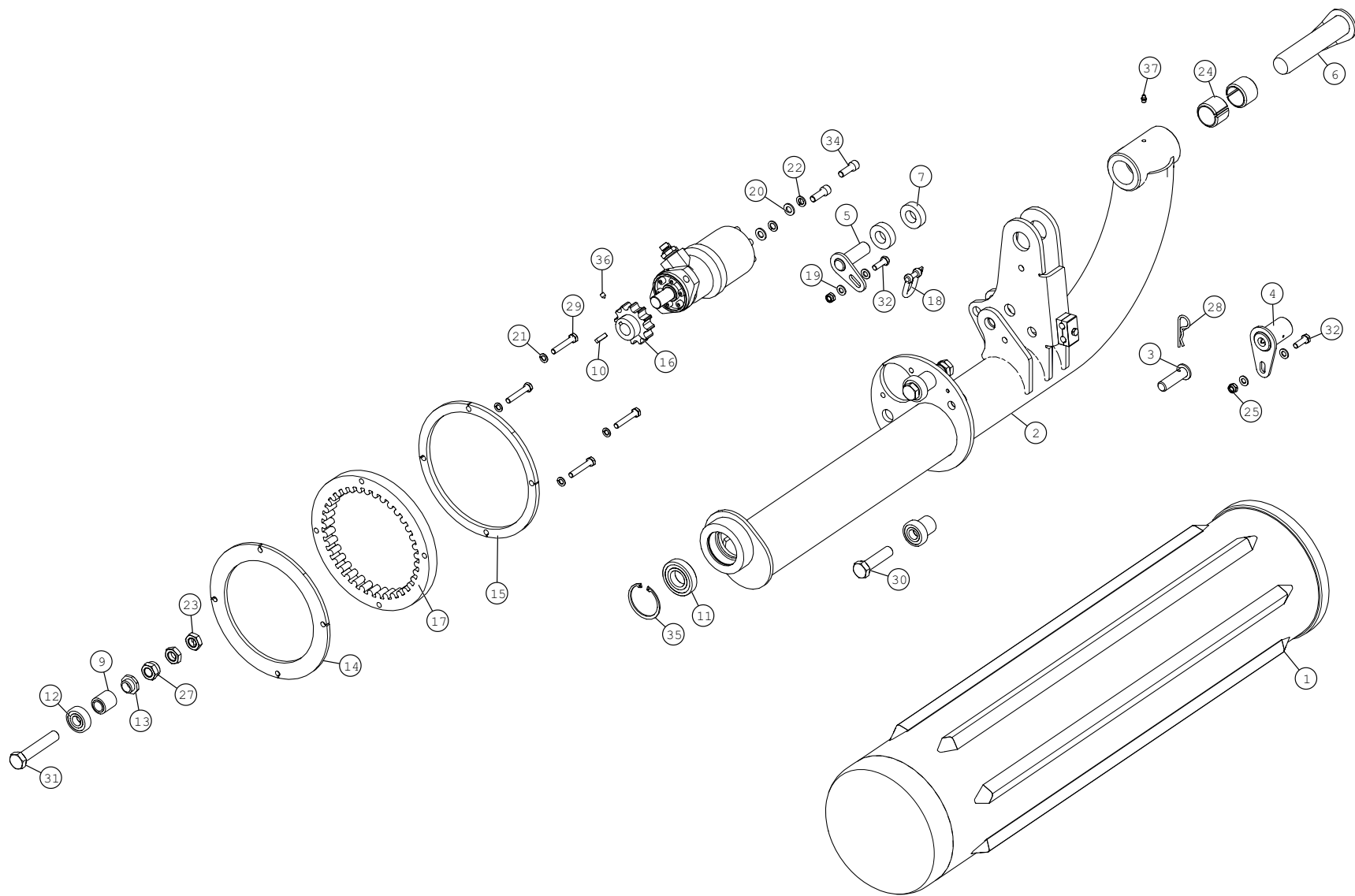
| TOWER BLOCK |

## 2. SPDW0017 ROLLER ARM RHS



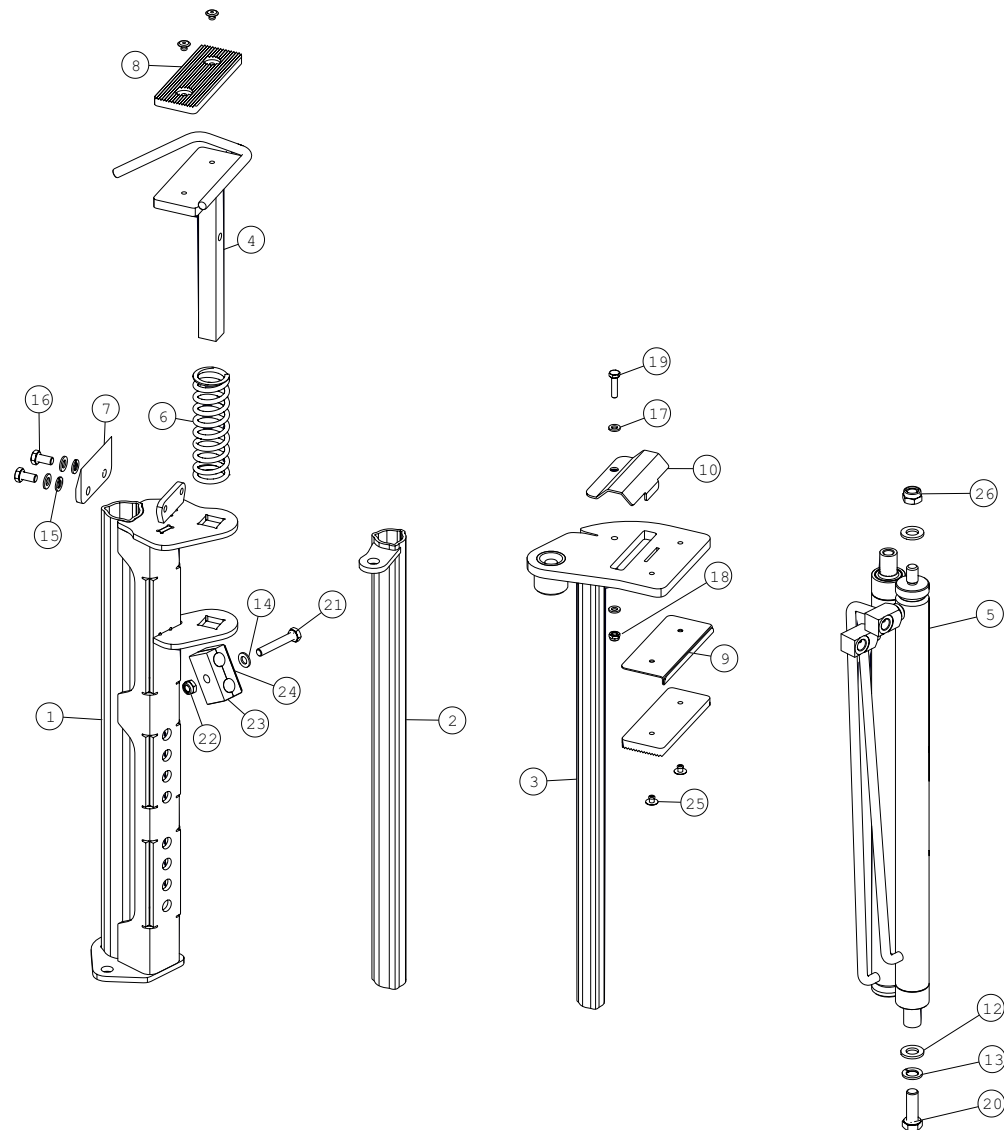
POS. NR.	TEILE NR.	STUCK	BENENNUNG	DESCRIPTION	DESIGNATION	TECHNISCHE ANGABEN
POS. NR.	PART NR.	QUANTITY				TECHNICAL DATA
POS. NO.	PIECE NO.	QUANTITEE				DONNEES TECHNIQUES
1	1330890	1		S Series Smooth Roller		
2	1340030	1		S Series Roller Arm RHS		
3	1315102	1		Roller Arm Pivot Pin		
4	1315104	1		Ram Mounting Pin		
5	1315110	1		Width Extension Pin		
6	1340050	1		Roller Arm Long Pin		
7	1315105	2		Width Ram Spacer_Long		
8	1340155	1		Roller Drive Motor		
9	34105718	4		Boss Bearing		
10	34270111	1		Key Steel		8mm x 7mm x 30mm
11	34321521	1		1726207 2RS (HMEC) Bearing		
12	34321529	4		Ball Bearing (361204 R SKF)		
13	34351006	2		Eccentric Boss		
14	34360519	1		Ring Roller Middle		
15	34360523	1		Ring Roller Shield		
16	34810042	1		12 Tooth Sprocket		(3/4")
17	34810044	1		Roller Sprocket		
18	FAS34003	1		R-clip Type E [DIN 11024]		4mm
19	Z38-03	1		D Shackle		3/8"
20	Z03-20-12	2		50 X 40 Bore X 40mm LG Ten Bus		
21	FAS01005	4		Flat Washer [DIN 125]		M10
22	FAS01006	7		Flat Washer [DIN 125]		M12
23	FAS02005	4		Spring Lock Washer [DIN 127]		M10
24	FAS02006	2		Spring Lock Washer [DIN 127]		M12
25	FAS04105	4		Thin Hex Nut [DIN 936]		M20
26	FAS05006	2		Locknut [DIN 985]		M10
27	FAS05009	1		Locknut [DIN 985]		M12
28	FAS05015	4		Locknut [DIN 985]		M20
29	FAS06130	4		Hex Bolt [DIN 931]		M10 X 60
30	FAS06244	2		Hex Bolt [DIN 931]		M20 X 80
31	FAS06253	2		Hex Bolt [DIN 931]		M20 X 110
32	FAS07142	2		Hex Set [DIN 933]		M10 X 30
33	FAS07187	1		Hex Set [DIN 933]		M12 X 40
34	FAS11289	2		Allen Head Set [DIN 912]		M12 X 35
35	FAS16040	1		Internal Circlip - 72 X 2.5 [DIN 472]		
36	FAS21023	1		Grub Screw [DIN 914]		M8 X 10
37	FAS27005	3		Grease Nipple [DIN 71412 A]		M8 x 1.25

### 3. SPDW0018. ROLLER ARM LHS



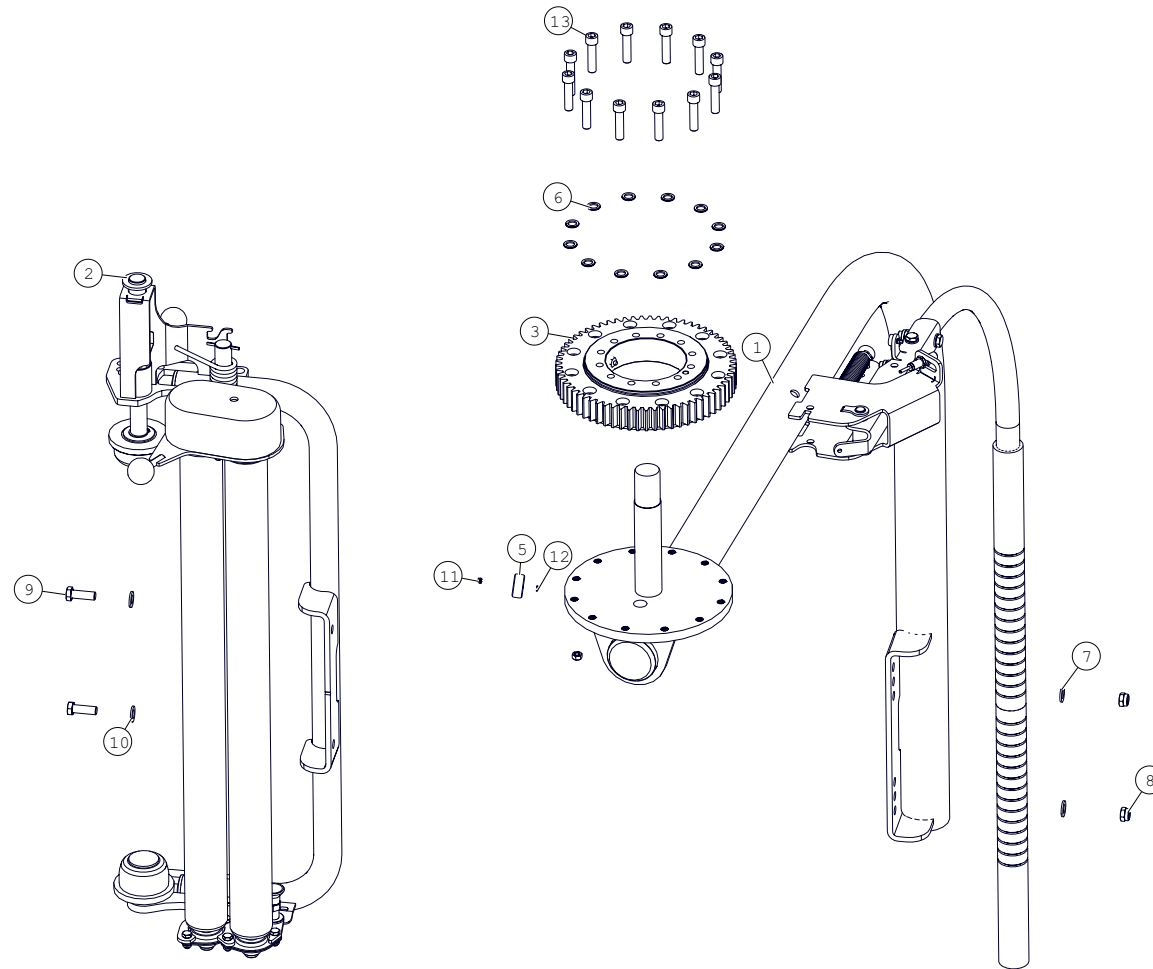
POS. NR.	TEILE NR.	STUCK	BENENNUNG	DESCRIPTION	DESIGNATION	TECHNISCHE ANGABEN
POS. NR.	PART NR.	QUANTITY				TECHNICAL DATA
POS. NO.	PIECE NO.	QUANTITEE				DONNEES TECHNIQUES
1	1330895	1		S Series Gripped Roller		
2	1340035	1		S Series Roller Arm LHS		
3	1315110	1		Width Extension Pin		
4	1315102	1		Roller Arm Pivot Pin		
5	1315104	1		Ram Mounting Pin		
6	1340050	1		Roller Arm Long Pin		
7	1315105	2		Width Ram Spacer_Long		
8	1340155	1		Roller Drive Motor		
9	34105718	4		Boss Bearing		
10	34270111	1		Key Steel		8mm x 7mm x 30mm
11	34321521	1		1726207 2RS (HMEC) Bearing		
12	34321529	4		Ball Bearing (361204 R SKF)		
13	34351006	2		Eccentric Boss		
14	34360519	1		Ring Roller Middle		
15	34360523	1		Ring Roller Shield		
16	34810042	1		Sprocket		12 Tooth (3/4")
17	34810044	1		Roller Sprocket		
18	Z38-03	1		D Shackle		3/8"
19	FAS01005	4		Flat Washer [DIN 125]		M10
20	FAS01006	7		Flat Washer [DIN 125]		M12
21	FAS02005	4		Spring Lock Washer [DIN 127]		M10
22	FAS02006	2		Spring Lock Washer [DIN 127]		M12
23	FAS04105	4		M20 Thin Hex Nut [DIN 936]		
24	Z03-20-12	2		50 X 40 Bore X 40mm LG Ten Bus		
25	FAS05006	2		Locknut [DIN 985]		M10
26	FAS05009	1		Locknut [DIN 985]		M12
27	FAS05015	4		Locknut [DIN 985]		M20
28	FAS34003	1		4mm R-clip Type E [DIN 11024]		
29	FAS06130	4		Hex Bolt [DIN 931]		M10 X 60
30	FAS06244	2		Hex Bolt [DIN 931]		M20 X 80
31	FAS06253	2		Hex Bolt [DIN 931]		M20 X 110
32	FAS07142	2		Hex Set [DIN 933]		M10 X 30
33	FAS07187	1		Hex Set [DIN 933]		M12 X 40
34	FAS11289	2		Allen Head Set [DIN 912]		M12 X 35
35	FAS16040	1		Internal Circlip - 72 X 2.5 [DIN 472]		
36	FAS21023	1		Grub Screw [DIN 914]		M8 X 10
37	FAS27005	3		Grease Nipple [DIN 71412 A]		M8 x 1.25

## 4. SPDW0013 CUT & START ASSEMBLY



POS. NR.	TEILE NR.	STUCK	BENENNUNG	DESCRIPTION	DESIGNATION	TECHNISCHE ANGABEN
POS. NR.	PART NR.	QUANTITY				TECHNICAL DATA
POS. NO.	PIECE NO.	QUANTITEE				DONNEES TECHNIQUES
1	AWW00029	1		Cut & Start Frame		
2	AWW00027	1		Cut & Start Middle Stage		
3	AWW00028	1		Cut & Start Top Stage		
4	CAW00047	1		C&S Blade Protector		
5	1330015	1		Cut & Start Cylinder		
6	1330324	1		Gripper Mounting Profile		
7	1330307	1		Cut & Start Blade		
8	1330305	2		Rubber Buffer		120 x 48mm
9	1330304	1		Cut & Start Square Plunger Pin		
10	Z07-49	1		Compression Spring Plated		120mm
11	Z01-24-28	1		Pipe Clamp Top Plate_Double		
12	Z01-24-31	1		Double Pipe Clamp_Pair		M14
13	FAS02006	1		Spring Lock Washer [DIN 127]		M12
14	FAS01004	3		Flat Washer [DIN 125]		M8
15	FAS02004	2		Spring Lock Washer [DIN 127]		M8
16	FAS07088	2		Hex Set [DIN 933]		M8 X 16
17	FAS01003	2		Flat Washer [DIN 125]		M6
18	FAS05003	1		Locknut [DIN 985]		M6
19	FAS07058	1		Hex Set [DIN 933]		M6 X 25
20	FAS07184	1		Hex Set [DIN 933]		M12 X 35
21	FAS06091	1		Hex Bolt [DIN 931]		M8 X 50
22	FAS05004	1		Locknut [DIN 985]		M8
23	FAS01006	2		Flat Washer [DIN 125]		M12
24	FAS05009	1		Locknut [DIN 985]		M12
25	FAS33001	4		Large Dome Head Blind Rivet [DIN 7337]		4.8 x 21

## 5. SPDW0091 WRAP ARM ASSEMBLY

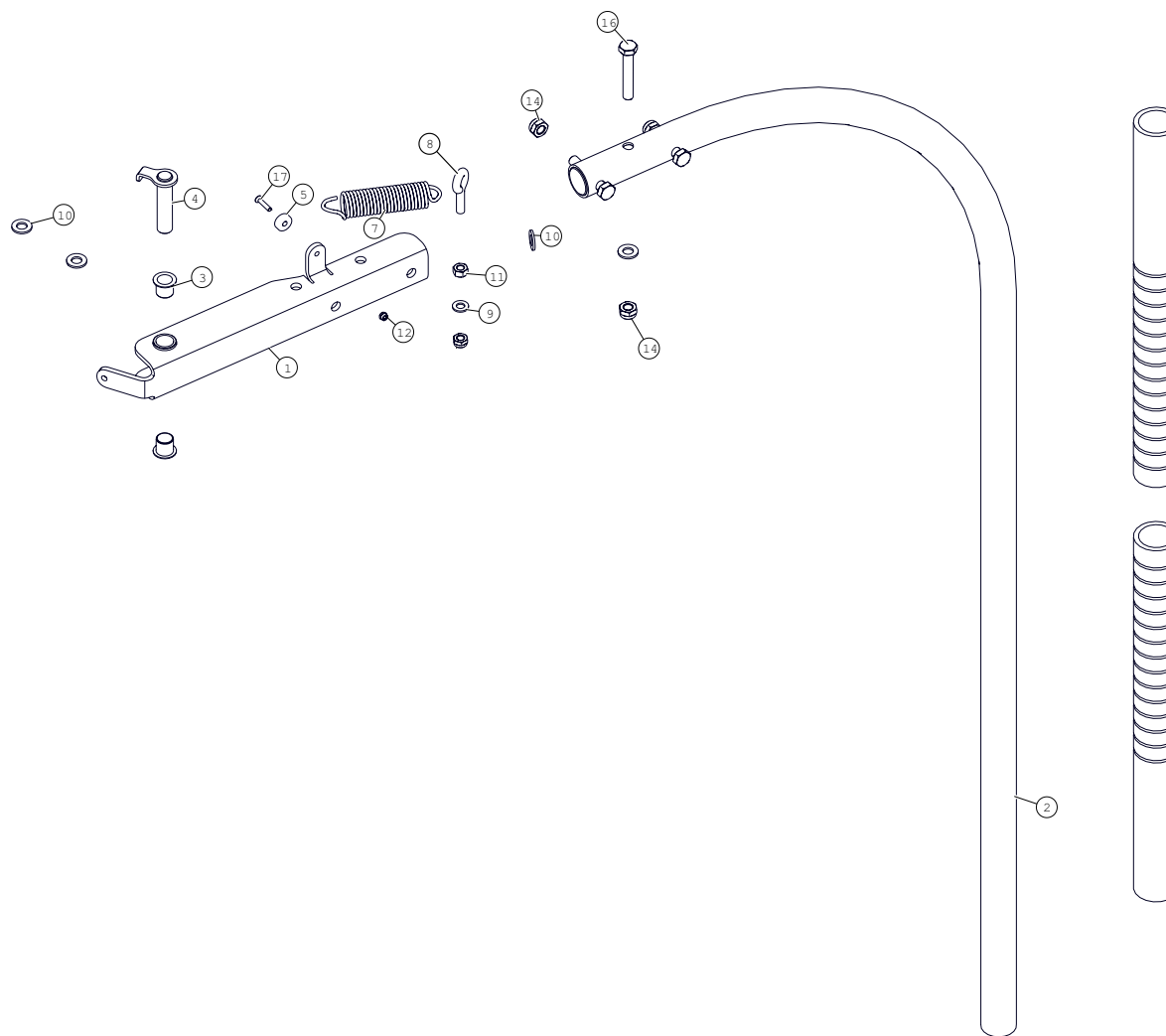


POS. NR.	TEILE NR.	STUCK	BENENNUNG	DESCRIPTION	DESIGNATION	TECHNISCHE ANGABEN
POS. NR.	PART NR.	QUANTITY				TECHNICAL DATA
POS. NO.	PIECE NO.	QUANTITEE				DONNEES TECHNIQUES
1	SPDW0010	1		Dispenser Assembly		
2	AWW00063	1		Single Dispenser Mounitng Arm		
3	1330051	1		Slew Ring 65T Counter Bored		
4	1309201	1		RDS Sensor Magnet		
5	FAS11307	1		Allen Head Set [DIN 912]		M12 X 60
6	FAS30106	12		Nordlock Washers (Pairs)		M12
7	FAS01006	2		Flat Washer [DIN 125]		M12
8	FAS05009	2		Locknut [DIN 985]		M12
9	FAS07184	2		Hex Set [DIN 933]		M12 X 35
10	FAS01006	2		Flat Washer [DIN 125]		M12
11	FAS05001	1		Locknut [DIN 985]		M4
12	FAS04001	1		Plain Hex Nut [DIN 934]		M4
13	FAS12231	11		Allen Head Set [DIN 912]		M12x1.25 X 50

TANCO S100-A SPDW0091

| WRAP ARM ASSEMBLY |

### 5.1 SPDW0093\_2 SAFETY ARM ASSEMBLY

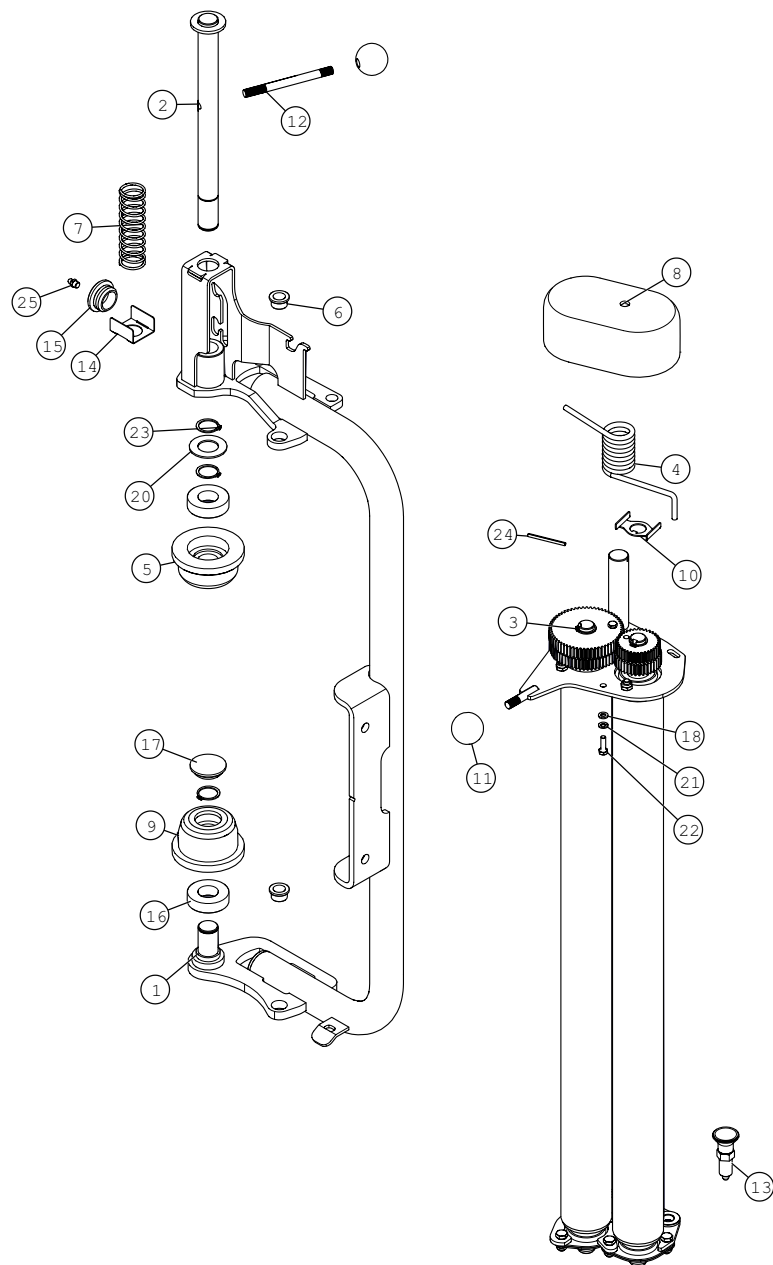


POS. NR. POS. NR. POS. NO.	TEILE NR. PART NR. PIECE NO.	STUCK QUANTITY QUANTITEE	BENENNUNG	DESCRIPTION	DESIGNATION	TECHNISCHE ANGABEN TECHNICAL DATA DONNEES TECHNIQUES
1	AWW00019	1		Safety Arm Bracket		
2	CAW00039	1		Safety Arm Assembly		
3	CAW00031	2		IGUS Safety Arm Pivot Bush		
4	CAW00035	1		Safety Arm Pivot Pin		
5	1309206	1		Red Magnet		
6	1330043	2		Safety Arm Foam Cover		
7	34430300	1		Pull Spring		(26 x 3.25 x 12)
8	FAS36002	1		Turned Eye Bolt		M8 x 30mm
9	FAS01004	1		Flat Washer [DIN 125]		M8
10	FAS01005	4		Flat Washer [DIN 125]		M10
11	FAS04005	1		Plain Hex Nut [DIN 934]		M8
12	FAS05001	1		Locknut [DIN 985]		M4
13	FAS05004	1		Locknut [DIN 985]		M8
14	FAS05006	3		Locknut [DIN 985]		M10
15	FAS06127	2		Hex Bolt [DIN 931]		M10 X 55
16	FAS06130	1		Hex Bolt [DIN 931]		M10 X 60
17	FAS13009	1		Countersunk Allen Head Set [DIN 7991]		M4 X 20

TANCO S100-A SPDW0093\_02

| SAFETY ARM ASSEMBLY |

## 6. SPDW0010 DISPENSER ARM ASSEMBLY

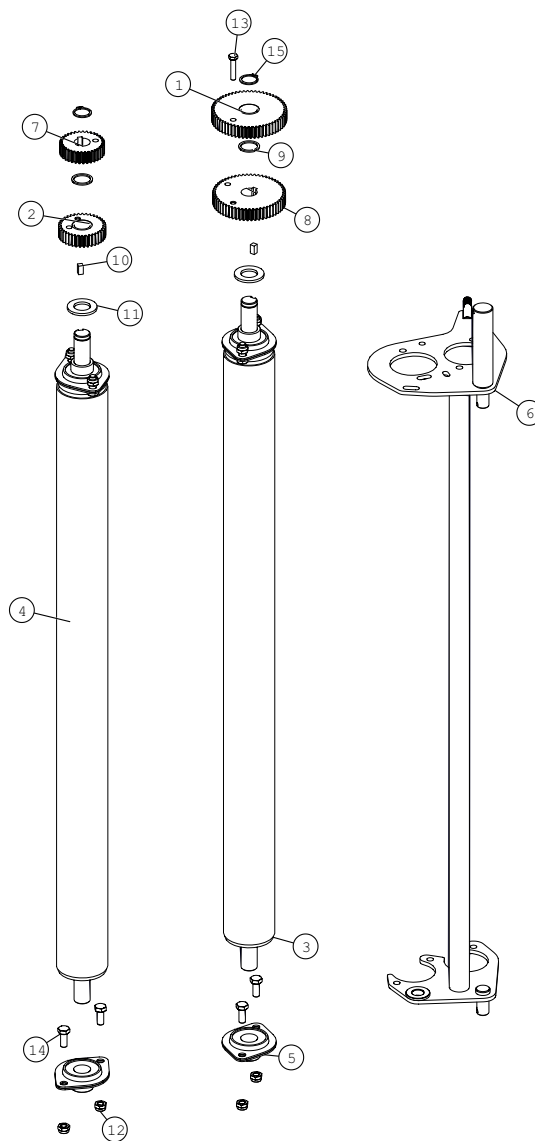


POS. NR.	TEILE NR.	STUCK	BENENNUNG	DESCRIPTION	DESIGNATION	TECHNISCHE ANGABEN
POS. NR.	PART NR.	QUANTITY				TECHNICAL DATA
POS. NO.	PIECE NO.	QUANTITEE				DONNEES TECHNIQUES
1	AWW00013	1		Dispenser Frame		
2	CAW00042	1		Top Cone Mounting Pin		
3	CAW00046	1		Dispenser Insert Assembly		
4	1115109	1		Dispenser Torsion Spring		
5	1115110	1		Upper Cone		
6	1115111	2		Dispenser Insert Pivot Bush		
7	1305021	1		Compression Spring		
8	1305125	1		Dispenser Gearbox Cover TDG01		
9	1405006	1		Bottom Nylon Cone		
10	2011066	1		A200 Film Break Bracket		
11	CAW00043	2		Dispenser Ball Handle		
12	CAW00044	1		Cone Rod		
13	CAW00045	1		Dispenser Index Plunger		
14	CAW00066	1		Spring Retainer Profile		
15	CSW00002	2		Tube Cap		42mm OD
16	Z06-AWRB	2		Ball Bearing (6205-ZZ LDK)		
17	Z32-15F	1		Tube Insert (37mm)		1 1/4" NB
18	FAS01003	2		Flat Washer [DIN 125]		M6
19	FAS01007	2		Flat Washer [DIN 125]		M14
20	FAS01017	1		Flat Washer [Light Duty]		M25
21	FAS02003	2		Spring Lock Washer [DIN 127]		M6
22	FAS07055	2		Hex Set [DIN 933]		M6 X 20
23	FAS17013	3		External Circlip - 25 X 1.2 [DIN 471]		
24	FAS19022	3		Roll Pin [DIN 1481]		M4 X 50
25	FAS27005	1		Grease Nipple [DIN 71412 A]		M8 x 1.25

TANCO S100-A SPDW0010

| DISPENSER ASSEMBLY |

## 6.1 CAW00046 DISPENSER INSERT

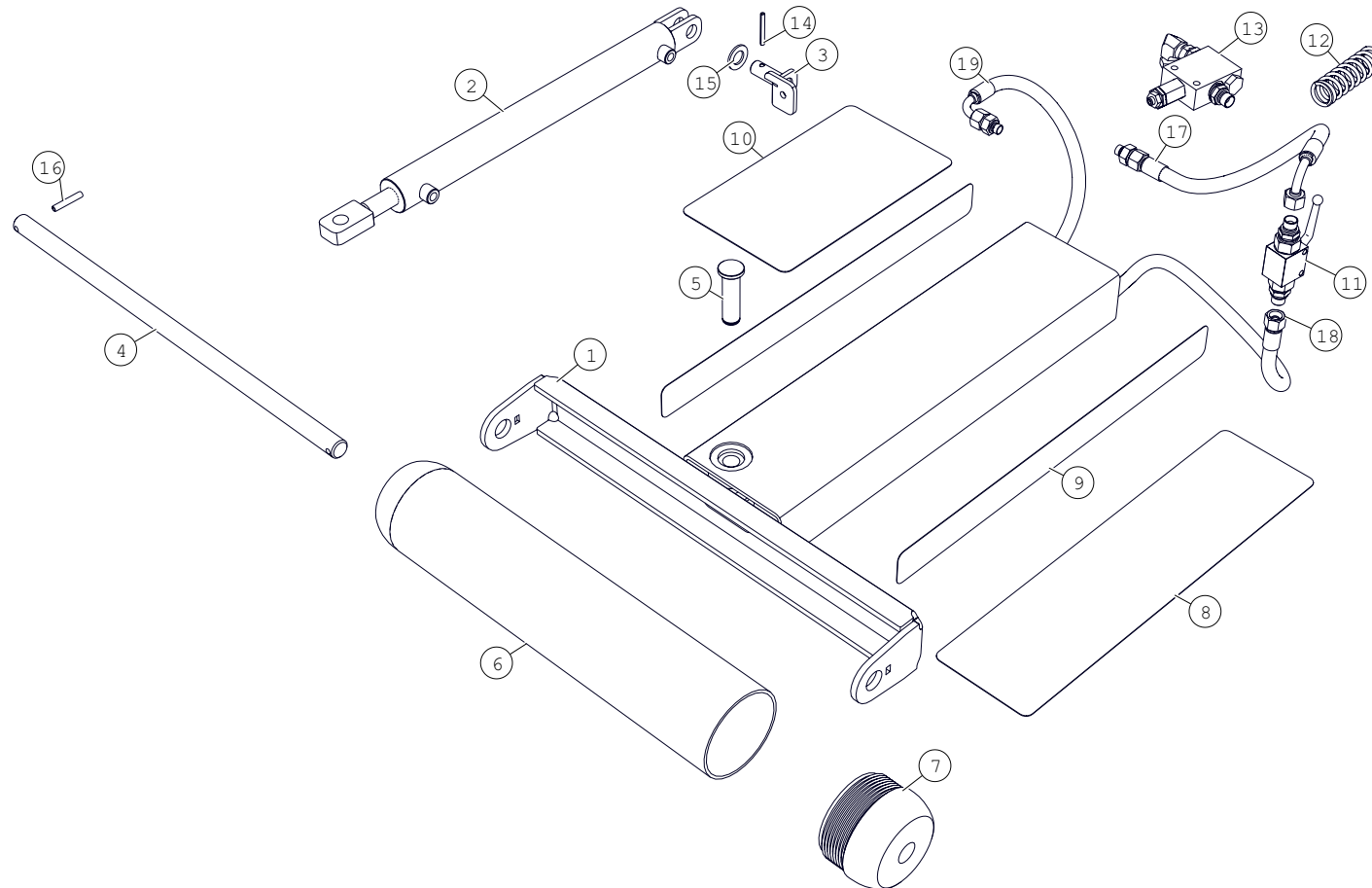


POS. NR. POS. NR. POS. NO.	TEILE NR. PART NR. PIECE NO.	STUCK QUANTITY QUANTITEE	BENENNUNG	DESCRIPTION	DESIGNATION	TECHNISCHE ANGABEN TECHNICAL DATA DONNEES TECHNIQUES
1	1305101	1		60T x 16mm 70% Dispenser Gear		
2	1305104	1		37T x 16mm 55% Dispenser Gear		
3	1305120	1		Inner Roller		
4	1305121	1		Outer Roller		
5	1305122	4		RHP Bearing SLFL20A (204)		
6	AWW00026	1		Dispenser Insert Frame		
7	1305102	1		35T x 16mm 70% Dispenser Gear		
8	1305103	1		55% Disp. Gear (58T x 16mm)		
9	1305115	2		Copper Washer		
10	1305123	2		Key Steel		6mm x 12mm Long
11	FAS01010	2		Flat Washer [DIN 125]		M20
12	FAS05004	8		Locknut [DIN 985]		M8
13	FAS06040	1		Hex Bolt [DIN 931]		M6 X 30
14	FAS07091	8		Hex Set [DIN 933]		M8 X 20
15	FAS17009	2		External Circlip [DIN 471]		20 X 1.2

TANCO S100-A CAW00046

| DISPENSER INSERT |

### 7. 1340220 AUTOWRAP END TIP ASSEMBLY

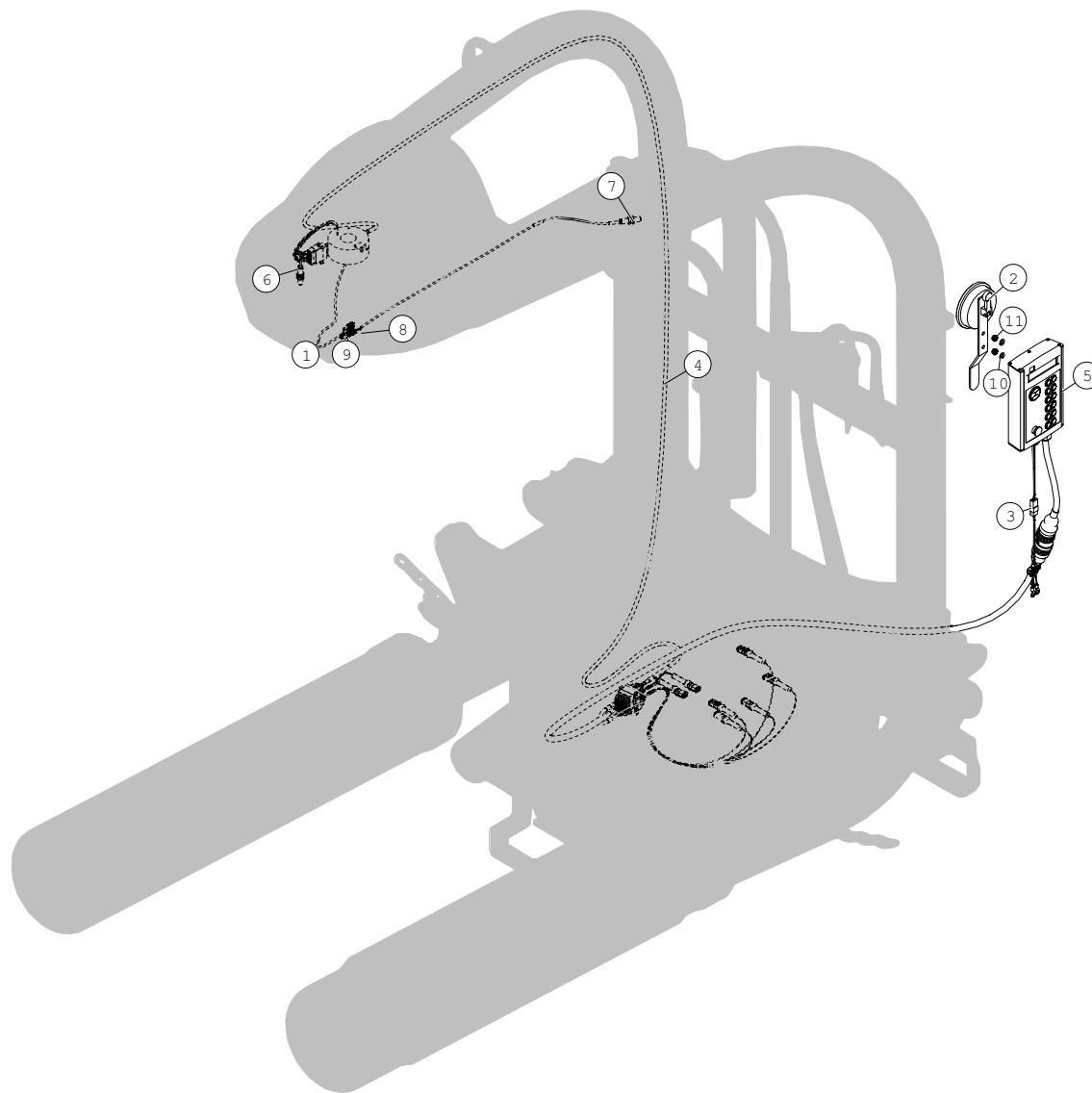


POS. NR. POS. NR. POS. NO.	TEILE NR. PART NR. PIECE NO.	STUCK QUANTITY QUANTITEE	BENENNUNG	DESCRIPTION	DESIGNATION	TECHNISCHE ANGABEN TECHNICAL DATA DONNEES TECHNIQUES
1	1340185	1		End-Tip Frame		
2	1340205	1		S Series Sliding End-tip Cylinder		
3	1340190	1		Cylinder/Spring Mounting Pin		
4	1340182	1		End-Tip Roller Shaft		
5	1340195	1		Cylinder Rod Pin		
6	1340183	1		End-Tip Roller Tube		
7	1100156	2		Roller End Cap		
8	1340202	1		IGUS Tape Bottom		
9	1340203	2		IGUS Tape Side		
10	1340204	1		IGUS Tape Top		
11	Z01-16-06	1		Shut-Off Valves		3/8"
12	Z07-49	1		Compression Spring Plated 120mm		
13	Z01-03-10-A8SQ	1		Sequence Overcentre Inline Val		
14	FAS19038	1		Roll Pin [DIN 1481]		M6 X 50
15	FAS01010	1		Flat Washer [DIN 125]		M20
16	FAS19059	1		Roll Pin [DIN 1481]		M8 X 45
17	FHA00150	1		Main Valve - Shut off Tap (Top)		
18	FHA00151	1		Shut off Tap (Bottom)- Cylinder Push		
19	FHA00152	1		Main Valve / Cylinder Pull		

TANCO S100-A 1340220

| END TIP ASSEMBLY |

## 8. SPDW0136 ELECTRIC COMPONENTS

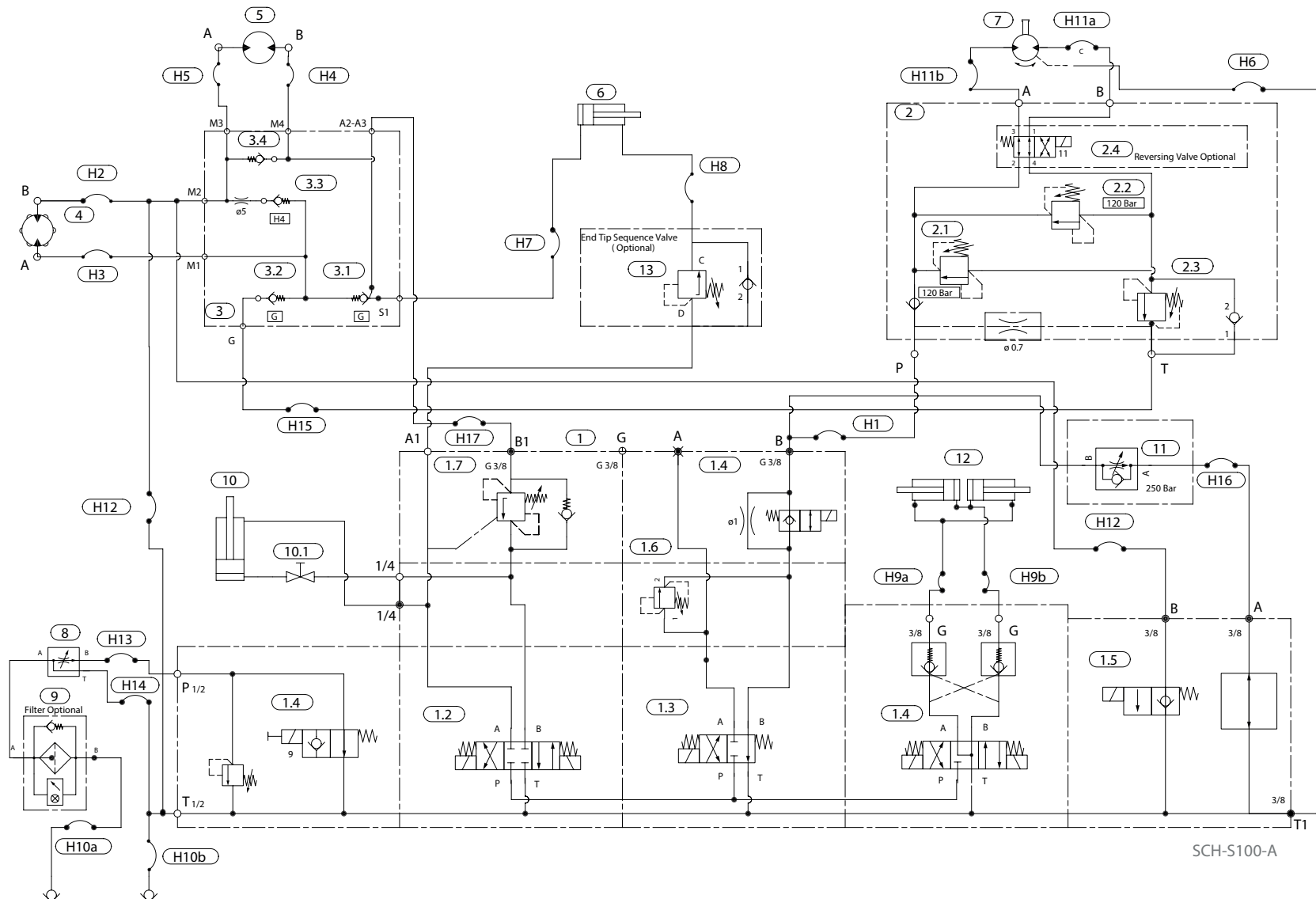


POS. NR. POS. NR. POS. NO.	TEILE NR. PART NR. PIECE NO.	STUCK QUANTITY QUANTITEE	BENENNUNG	DESCRIPTION	DESIGNATION	TECHNISCHE ANGABEN TECHNICAL DATA DONNEES TECHNIQUES
1	1330055	1		6 Way Electrical Slip Ring		
2	1309023	1		Suction Cup Assembly		
3	1309007	1		Battery Cable		3M
4	1309105	1		4Mtr Extension Input Cable		
5	CKC00104	1		RA Expert 2 Headunit		
6	CEL00032	1		M12 Reed Type Sesnor (1.1M Cable)		
7	CEL00067	1		M12 Reed Type Sesnor (0.5M Cable)		
8	CEL00025	1		8Way Crimp Termial Housing Male		
9	CEL00026	1		8Way Crimp Termial Housing Female		
10	FAS01004	2		Flat Washer [DIN 125]		M8
11	FAS05004	2		Locknut [DIN 985]		M8

TANCO S100-A SPDW0136

| ELECTRIC ASSEMBLY |

## 9. SCHY-S100 A HYDRAULIC COMPONENTS

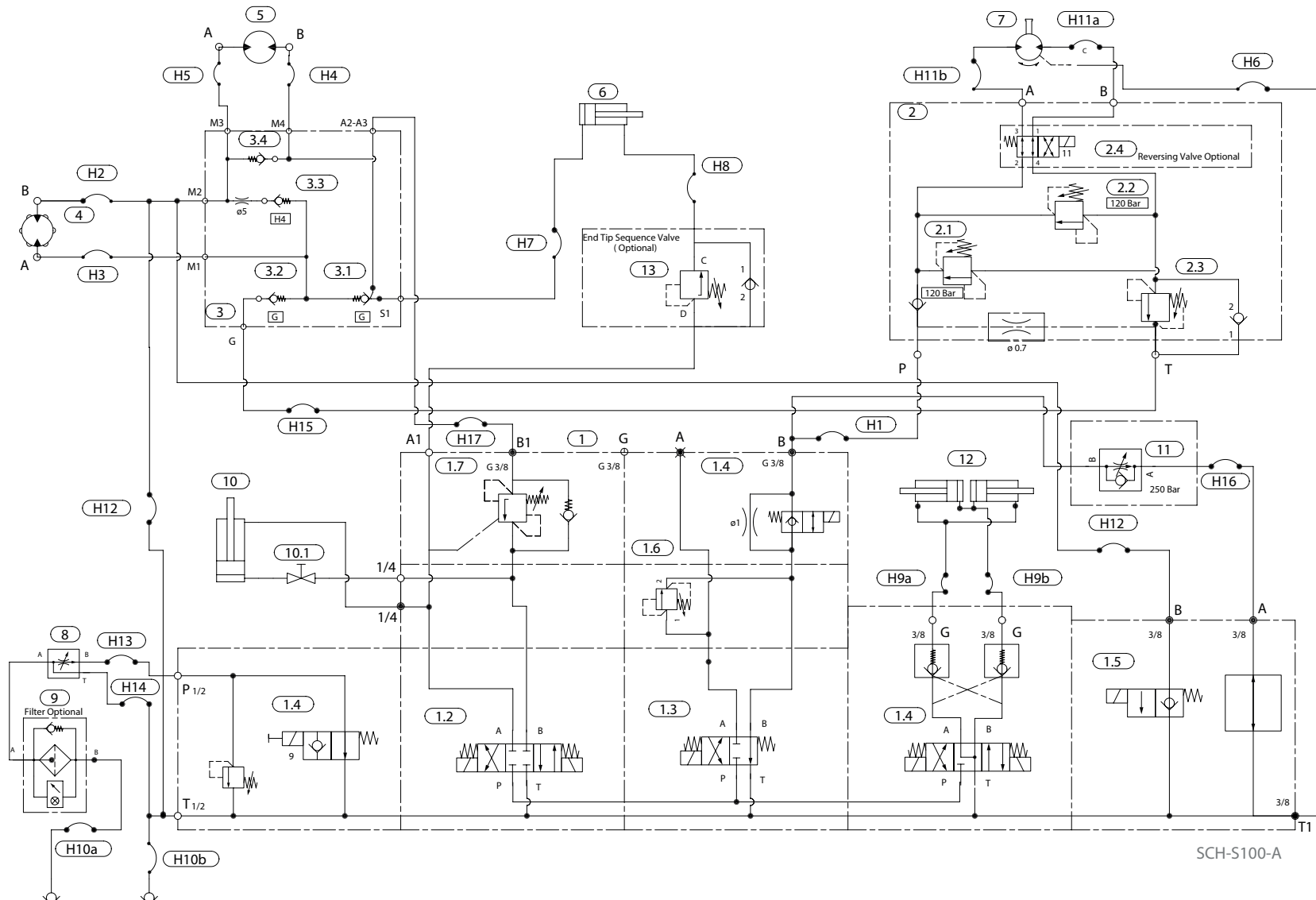


## Hydraulic Components

Pos.	Part No.	Designation	Qty
1	CHY00014	AutoWrap Control Valve	1
1.2	CVA00102	4/3 Directional spool valve solenoid operated	1
1.3	CVA00102	4/3 Directional spool valve solenoid operated	1
1.4	CVA00052	Check valve with relief	1
1.4	CVA00101	EDB Valve Section With Double Pilot Operated Check & Deutsch Coil	2
1.5	CVA00104	Stackable Element Two Speed Valve Deutsch Coil	1
1.6	CVA00087	Cross Sign Relief Valvew	1
1.7	CVA00101	EDB Valve Section With Double Pilot Operated Check & Deutsch Coil	1
2	CVA00076	Reversing Valve	1
2	1318250	Tower Block	1
2.1	CVA00012	Cross Sign Relief Valve	1
2.2	CVA00012	Cross Sign Relief Valve	1
2.3	CVA00013	Counter Balance Valve	1
3	1308350	Assembly Block	1
3.1	CVA00024	Pilot Operated Check Valve	1
3.2	CVA00014	Insert Check Valve	1

Pos.	Part No.	Designation	Qty
3.3	CVA00014	Insert Check Valve	1
3.4	CVA00014	Insert Check Valve	1
4	1340155	Roller Drive Motor	1
5	1340155	Roller Drive Motor	1
6	1318250	Width Cylinder	1
8	Z01-03-10-A7L	Priority Flow Regulator Hydraquip	1
9	1308075	High pressure filter	1
10	1340205	End Tip Cylinder	1
10	z01-16-06	2 Way ball valve	1
11	1318181	Flow control valve pressure compensated	1
12	1330015	Cut & Start Cylinder	1

## 9.1 SCHY-S100 A HYDRAULIC HOSES



## Hydraulic Hoses

Pos.	Part No.	Designation	Qty
H1	FHA00133	Tower Block (T) - Assy. Block (Tee on G)	1
H2	FHA00134	Assembly Block (M2) - Roller Motor RHS (B)	1
H3	FHA00154	Assembly Block (M1) - Roller Motor RHS (A)	1
H4	FHA00135	Assembly Block (M4) - Roller Motor LHS (B)	1
H5	FHA00136	Assembly Block (M3) - Roller Motor LHS (A)	1
H6	FHA00137	Motor Drain - Main Valve (T1)	1
H7	FHA00138	Assembly Block (S1) - Loading Ram (Push)	1
H8	FHA00139	Main Valve (A1) - Loading Ram (Pull)	1
H9a	FHA00140	Main Valve (A3) - Cut & Start (Open)	1
H9b	FHA00140	Main Valve (B3) - Cut & Start (Close)	1
H10	FHA00141	Flow Divider Feed (or Filter if fitted) - Tractor (1/2" M. Q/R Coupling)	1
H10b	FHA00141	Main Valve (T) -Tractor (1/2" M. Q/R Coupling)	1
H11a	FHA00142	Tower Block (A) - Tower Motor (B)	1
H11b	FHA00142	Tower Block (B) - Tower Motor (A)	1
H12	FHA00143	Main valve (T on top) - Assembly Block (T on M2)	1
H13	FHA00144	Flow Divider (Main Line) - Main Valve Feed Port (P)	1
H14	FHA00145	Tee on Return Port (T) - Flow Divider	1
H15	FHA00146	Main Valve (B2) - Tower Block (P)	1
H16	FHA00147	Main Valve (Top T) - Rollers Flow Adj. (A)	1
H17	FHA00148	Main Valve (B1) - Assembly Block (A2-A3)	1



# TANCO



## Contact

### Address

**Tanco Autowrap Ltd.**  
Royal Oak Road,  
Bagenaltown  
Co. Carlow  
Ireland

### Phone & Online

Phone: + 353 59 972 1336  
Email: [info@itanco.com](mailto:info@itanco.com)  
Website: [www.tanco.global](http://www.tanco.global)  
Support: [tanco.zendesk.com](https://tanco.zendesk.com)