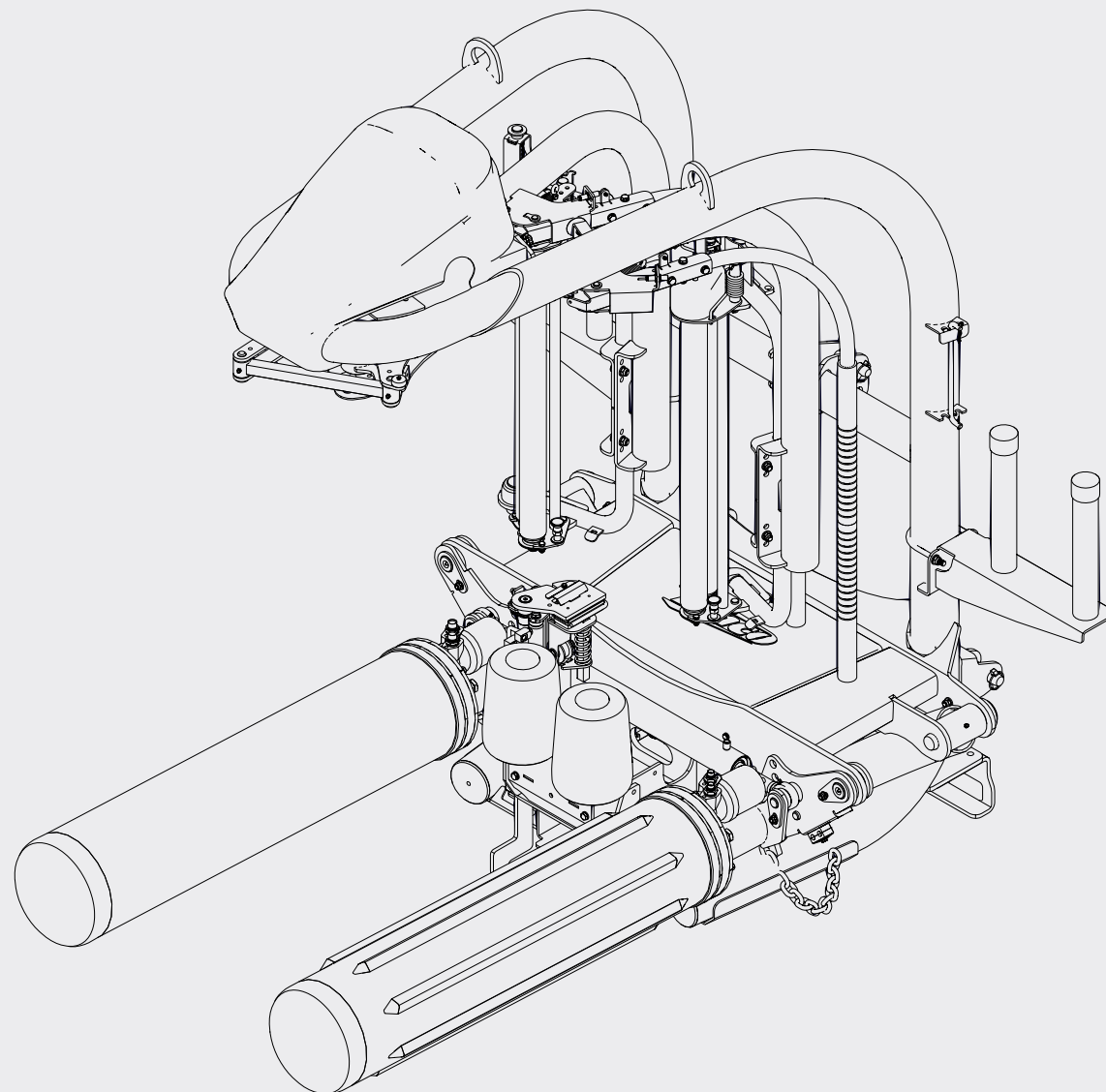




Experts in your field



AUTOWRAP

S200 V

SPARE PARTS MANUAL

V.005\_EN

**Tanco Autowrap Ltd.**

Royal Oak Road,  
Bagenaltown  
Co. Carlow  
Ireland

Phone: + 353 59 972 1336  
Email: [info@itanco.com](mailto:info@itanco.com)  
Website: [www.tanco.global](http://www.tanco.global)  
Support: [tanco.zendesk.com](mailto:tanco.zendesk.com)



**TANCO**

# TANCO

## S300 VARIWRAP

---

### S300 V Spare Parts List

We recommend that when you require spare parts you use only original parts. When ordering spare parts please follow the following steps;

1. Identify the part you require using the detailed drawings.
2. Once you have identified the part you require reference the item number relating to the part on the item list where you will find the part number and description of the part you require. You will be required to give the complete part no and description when ordering your part(s).
3. When ordering you must give the Serial Number and Model Number of the machine.
4. All orders must go through your local Tanco Dealer, and must be either faxed or e-mailed to Tanco Autowrap.

### S300 V Ersatzteilliste

Wir empfehlen, nur Originalteile als Ersatzteile zu verwenden. Befolgen Sie bei der Bestellung von Ersatzteilen bitte die folgenden Schritte:

1. Stellen Sie anhand der detaillierten Zeichnungen fest, welches Teil Sie benötigen.
2. Haben Sie das benötigte Teil identifiziert, geben Sie die Teilnummer auf dem Bestellschein an, mit dem Sie das/die Ersatzteil/e bestellen.
3. Geben Sie bei jeder Bestellung die Serien- und die Modellnummer Ihrer Maschine an.
4. Alle Bestellungen müssen über Ihren Tanco-Händler vor Ort erfolgen und müssen Tanco Autowrap als Fax oder E-Mail erreichen.

### Liste des pièces de rechange S300 V

Si vous avez besoin de pièces de rechange, nous vous recommandons de n'utiliser que des pièces garanties d'origine. Pour toute commande de pièces de rechange, veuillez suivre les étapes suivantes :

1. Identifiez la pièce dont vous avez besoin à l'aide des schémas détaillés.
  2. Après avoir identifié la pièce dont vous avez besoin, relevez son numéro de référence dans la liste des pièces dans laquelle vous trouverez également la description de la pièce requise. Lors de la commande, vous devez indiquer la référence et la description complètes de la pièce.
  3. Lors de la commande, vous devrez mentionner le numéro de série et le numéro de modèle de la machine.
  4. Vous devez effectuer toutes les commandes auprès de votre revendeur Tanco local et les faxer ou les envoyer par e-mail à Tanco Autowrap.
-

ITANCO.COM

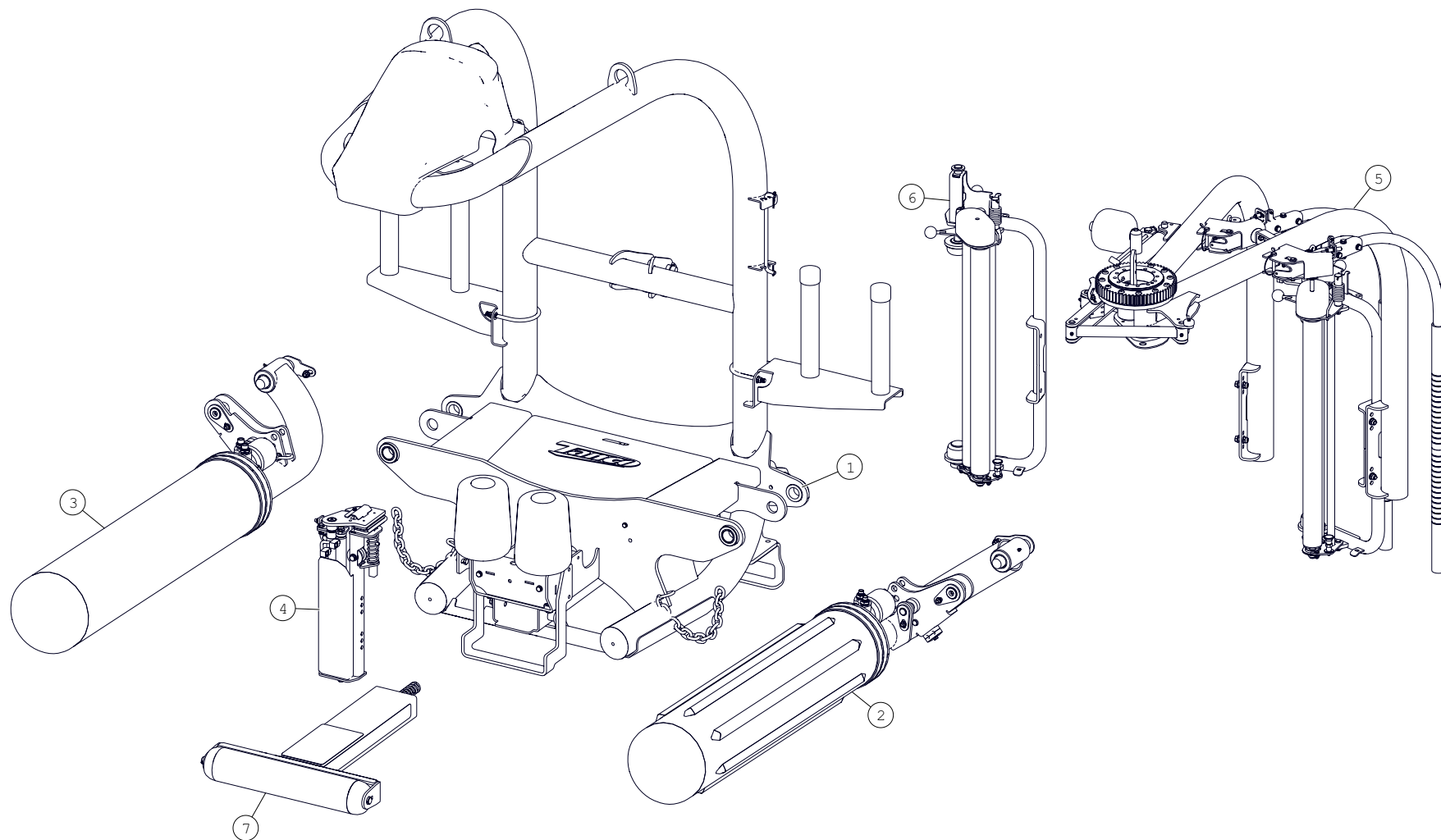
# TABLE OF CONTENTS

---

	OVERVIEW	Pg 4 - 5
1 SPDW0025	CHASSIS ASSEMBLY	Pg 6 - 15
2 SPDW0017	ROLLER ARM RHS	Pg 16 - 17
3 SPDW0018	ROLLER ARM LHS	Pg 18 - 19
4 SPDW0022	CUT & START ASSEMBLY	Pg 20 - 21
5 SPDW0093	TRI ARM ASSEMBLY	Pg 22 - 25
5 SPDW0010	DISPENSER ASSEMBLY	Pg 26 - 29
6 SPDW0030	END TIP ASSEMBLY	Pg 30 - 31
7 -	ELECTRICAL COMPONENTS	Pg 32 - 33
8 -	HYDRAULIC COMPONENTS	Pg 34 - 35

---

## S200 V - | OVERVIEW |

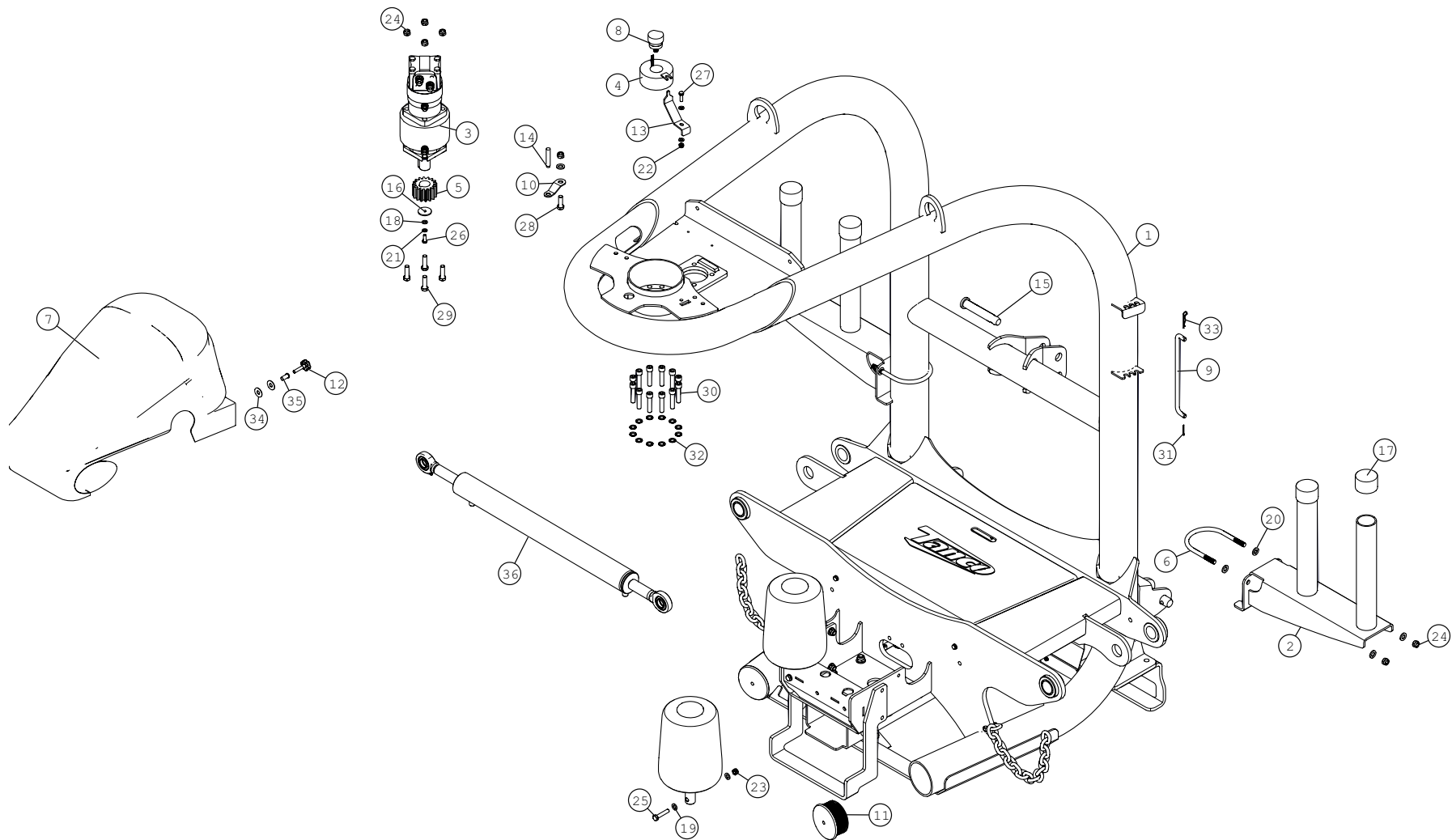


POS. NR.	TEILE NR.	STUCK	BENENNUNG	DESCRIPTION	DESIGNATION
POS. NR.	PART NR.	QUANTITY			
POS. NO.	PIECE NO.	QUANTITEE			
1	SPDW0025	1		VariWrap Chassis Assembly	Pg
2	SPDW0018	1		S Series Roller Arm LHS	Pg
3	SPDW0017	1		S Series Roller Arm RHS	Pg
4	SPDW0022	1		VariWrap Cut & Start Assembly	Pg
5	SPDW0093	1		Twin Arm Assembly	Pg
6	SPDW0010	1		Dispenser Assembly	Pg
7	SPDW0030	1		VariWrap End Tip Assembly	Pg

S200 V

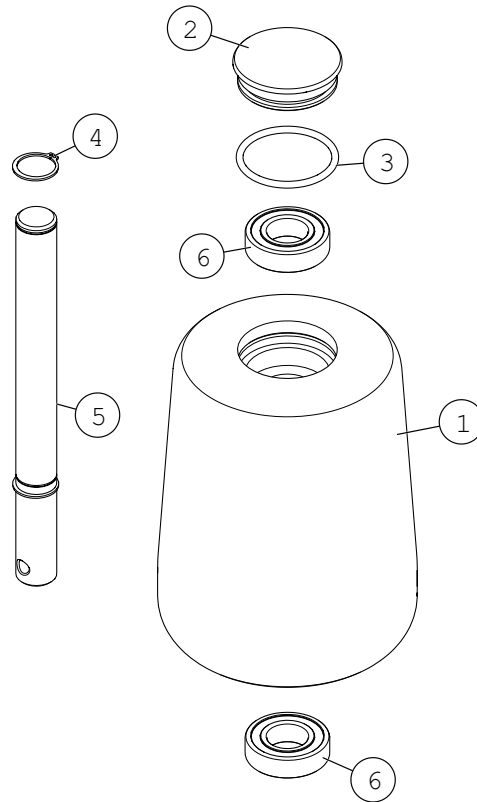
|OVERVIEW|

# 1. SPDW0025\_01 - | CHASSIS ASSEMBLY |



POS. NR.	TEILE NR.	STUCK	BENENNUNG	DESCRIPTION	DESIGNATION	TECHNISCHE ANGABEN
POS. NR.	PART NR.	QUANTITY				TECHNICAL DATA
POS. NO.	PIECE NO.	QUANTITEE				DONNEES TECHNIQUES
1	1340000	1		S Series Chassis		
2	1330087	2		S Series Film Holder Assembly		
3	1330070	1		S Series Tower Motor (Brake)		
4	1330055	1		Slip Ring BTH3899-0605		
5	1330060	1		16T Pinion		
6	1330089	1		M12 x 114mm ID U Bolt		
7	1330097	1		Motor Cover		
8	1330099	1		Hydraulic Rotary Coupling		
9	1330418	1		Vari/Auto Arm Parking Bracket		
10	1330636	1		Rotation Sensor bracket		
11	1330778	1		Ø114 Heavy Duty Black Plastic Cap		
12	1340087	2		Handwheel (Scallop Male M8 x 40mm)		
13	1340216	1		Slip Ring Bracket		
14	2009300	1		M12 Proximity Sensor		
15	34105635	1		Top Link Pin		
16	1330639	1		Tower Motor Washer		
17	Z32-085	1		2 3/8" NB Tube External Cap		
18	FAS01004	3		M8 Flat Washer [DIN 125]		
19	FAS01005	2		M10 Flat Washer [DIN 125]		
20	FAS01006	5		M12 Flat Washer [DIN 125]		
21	FAS02004	1		M8 Spring Lock Washer [DIN 127]		
22	FAS05004	1		M8 Locknut [DIN 985]		
23	FAS05006	1		M10 Locknut [DIN 985]		
24	FAS05009	7		M12 Locknut [DIN 985]		
25	FAS06124	1		M10 X 50 Hex Bolt [DIN 931]		
26	FAS07091	1		M8 X 20 Hex Set [DIN 933]		
27	FAS07094	1		M8 X 25 Hex Set [DIN 933]		
28	FAS07184	1		M12 X 35 Hex Set [DIN 933]		
29	FAS07187	4		M12 X 40 Hex Set [DIN 933]		
30	FAS12234	12		M12x1.25 X 55 Allen Head Set [DIN 912]		
31	FAS18030	1		Split Pin 3.2 x 28 [DIN 94]		
32	FAS30106	12		M12 Nordlock Washers (Pairs)		
33	FAS34001	1		2mm R-clip Type E [DIN 11024]		
34	Z10-02-11	4		11.2 x1.5mm washer OD 30mm		
35	Z25-08	2		M8 Fastner Riv-Nut		
36	1318250	1		Width Cylinder		

### 1.1 SPDW0026- | BALE SUPPORT ROLLER |



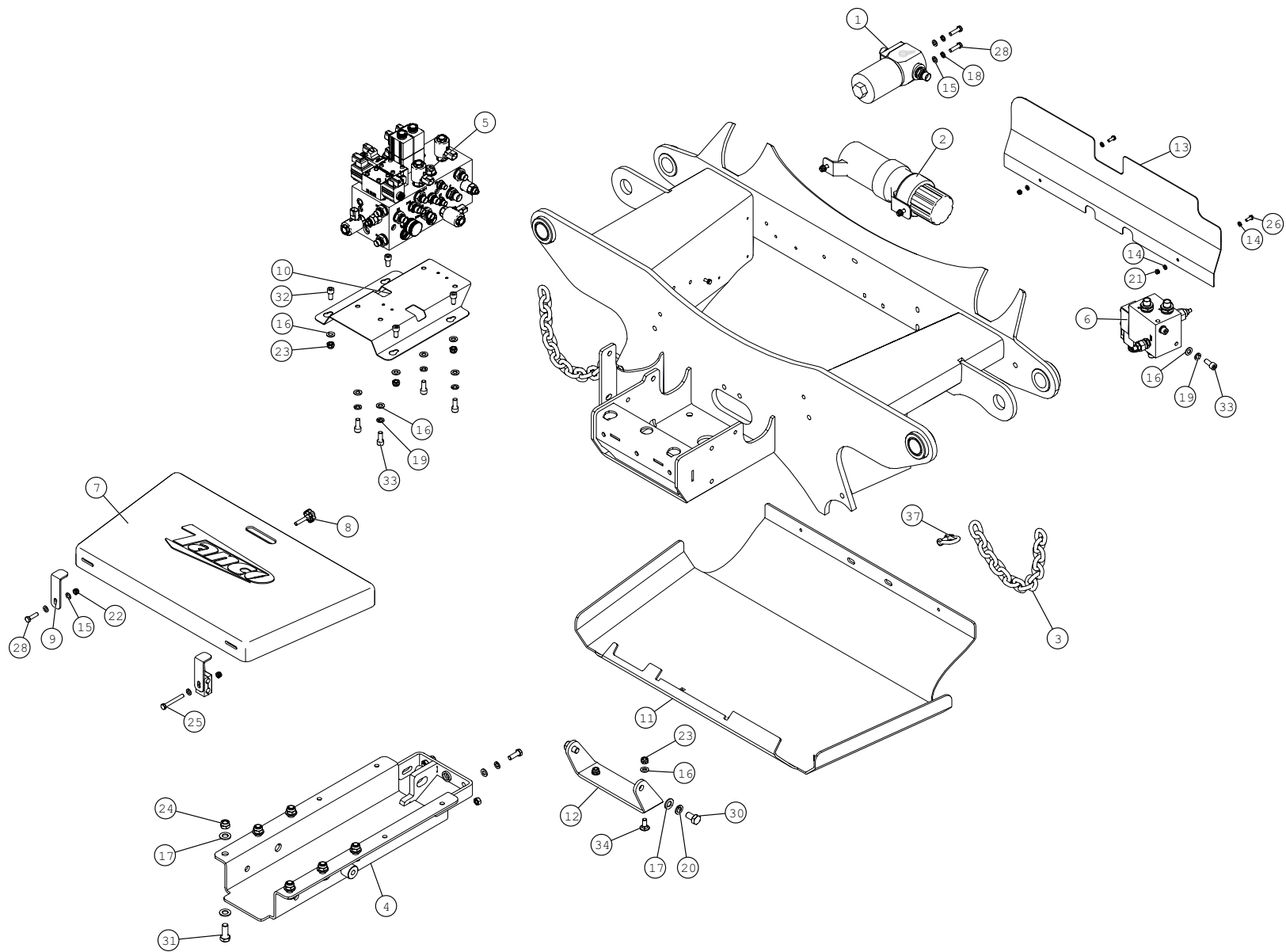
POS. NR.	TEILE NR.	STUCK	BENENNUNG	DESCRIPTION	DESIGNATION
POS. NR.	PART NR.	QUANTITY			
POS. NO.	PIECE NO.	QUANTITEE			
1	1340209_1	1		S Series Cone Roller	Pg
2	1340208	1		S Series Cone Roller Cap	Pg
3	1340215	1		O Ring ID 62 x 5mm	Pg
4	FAS17017	2		External Circlip - 30 X 1.5 [DIN 471]	Pg
5	1315108	1		Plastic Roller Shaft	Pg
6	34320508	2		Bearing 6206 2RS	Pg

Tanco S200 V

SPDW0026

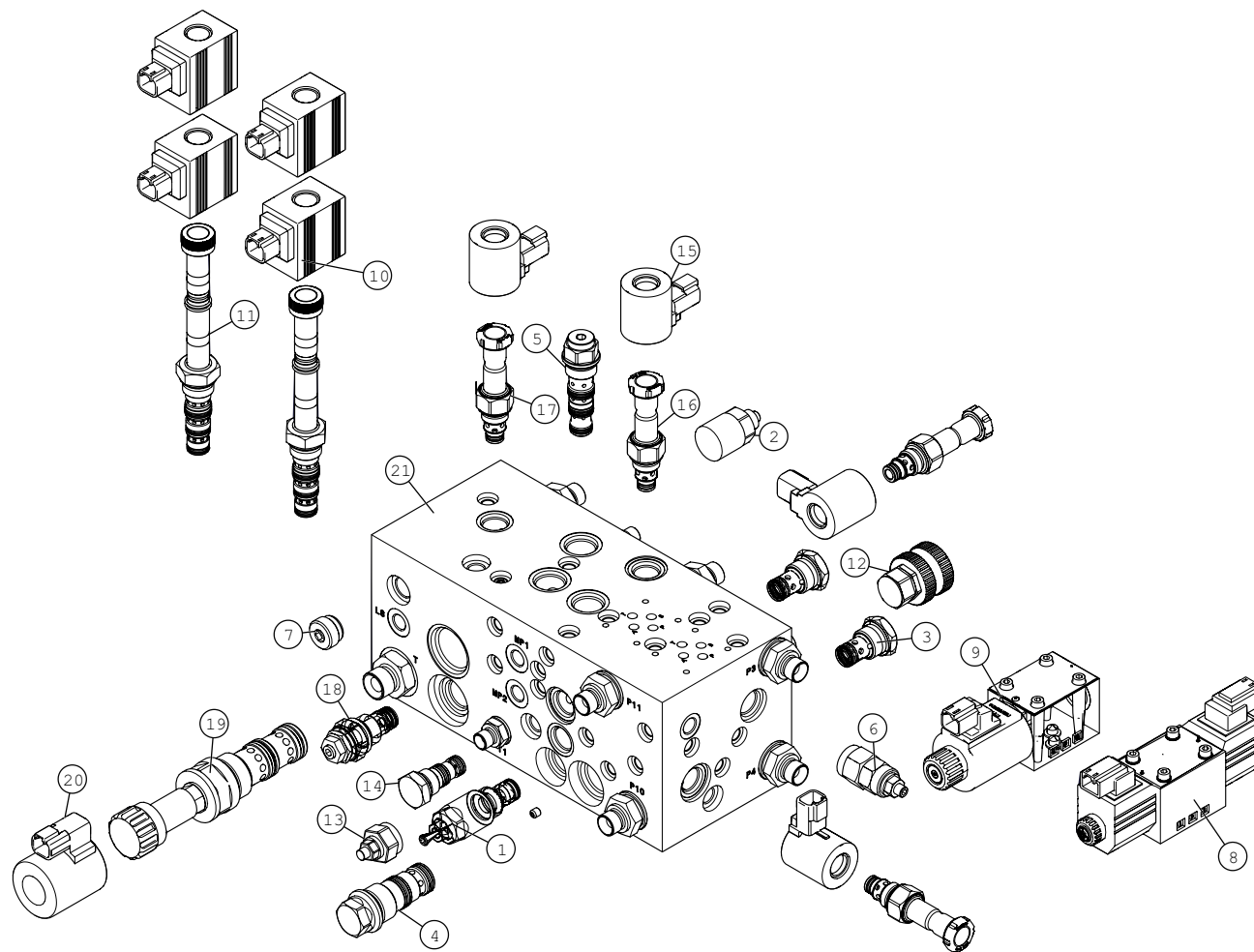
[BALE SUPPORT ROLLER]

## 1.2 SPDW0025-02- | CHASSIS ASSEMBLY |



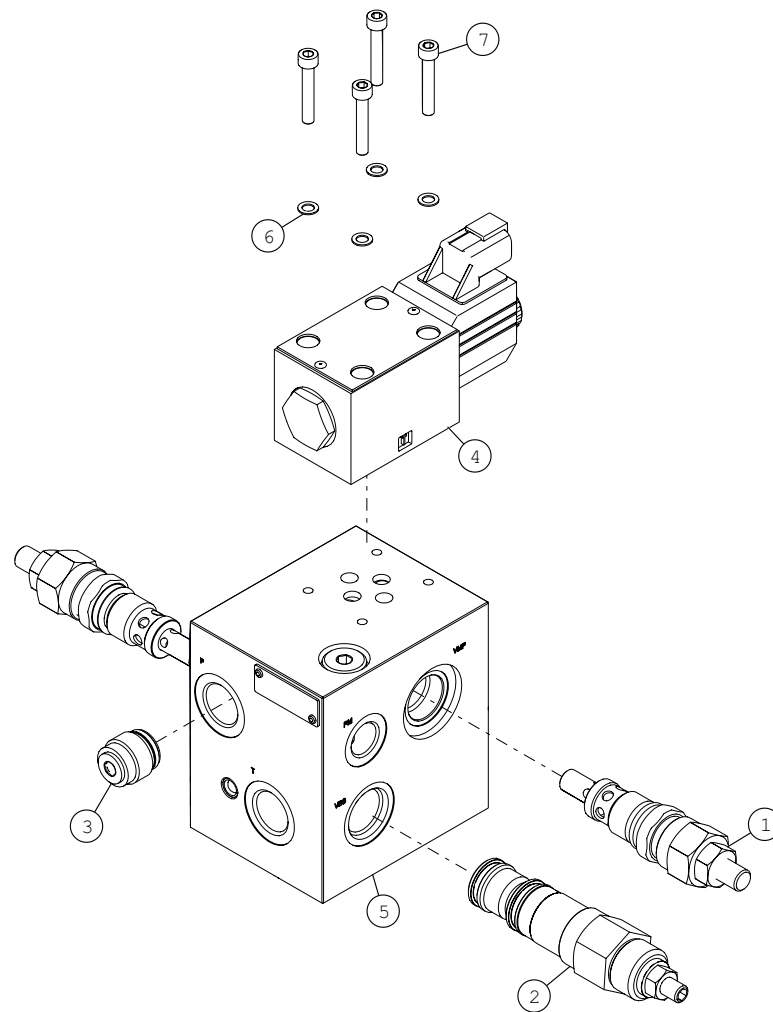
POS. NR. POS. NR. POS. NO.	TEILE NR. PART NR. PIECE NO.	STUCK QUANTITY QUANTITEE	BENENNUNG	DESCRIPTION	DESIGNATION	TECHNISCHE ANGABEN TECHNICAL DATA DONNEES TECHNIQUES
1	1308075	1		Oil Filter Unit		
2	1330648	1		Plastic Manual Tube		
3	1340125	2		Arm Retaining Chain		
4	1340175	1		End-Tip Channel		
5	1340310	1		Integrated Hydraulic Block		
6	CHY00006	1		Tower Block		
7	1330098	1		S Series Box Chassis Cover		
8	1340087	1		Handwheel (Scallop Male M8 x 40mm)		
9	1340088	2		Cover Bracket		
10	1340198	1		Valve Plate		
11	1340200	1		Skid Plate		
12	1340201	1		Skid Plate Hinge		
13	1340207	1		Valve Mudguard		
14	FAS01003	8		M6 Flat Washer [DIN 125]		
15	FAS01004	10		M8 Flat Washer [DIN 125]		
16	FAS01005	15		M10 Flat Washer [DIN 125]		
17	FAS01007	14		M14 Flat Washer [DIN 125]		
18	FAS02004	2		M8 Spring Lock Washer [DIN 127]		
19	FAS02005	8		M10 Spring Lock Washer [DIN 127]		
20	FAS02007	2		M14 Spring Lock Washer [DIN 127]		
21	FAS05003	4		M6 Locknut [DIN 985]		
22	FAS05004	4		M8 Locknut [DIN 985]		
23	FAS05006	7		M10 Locknut [DIN 985]		
24	FAS05012	6		M14 Locknut [DIN 985]		
25	FAS06100	1		M8 X 65 Hex Bolt [DIN 931]		
26	FAS07049	2		M6 X 16 Hex Set [DIN 933]		
27	FAS07061	2		M6 X 30 Hex Set [DIN 933]		
28	FAS07097	5		M8 X 30 Hex Set [DIN 933]		
29	FAS07142	2		M10 X 30 Hex Set [DIN 933]		
30	FAS07361	2		M14 X 25 Hex Set [DIN 933]		
31	FAS07364	6		M14 X 35 Hex Set [DIN 933]		
32	FAS11211	4		M10 X 20 Allen Head Set [DIN 912]		
33	FAS11214	6		M10 X 25 Allen Head Set [DIN 912]		
34	FAS14011	2		M10 X 25 Cup Head Square Neck Bolt [DIN 603]		
35	Z01-24-28	1		1/4" Double Pipe Clamp Top Plate		
36	Z01-24-29	2		DbI Pipe Clamp 12.7mm (Pair)		
37	Z38-03	2		3/8" D Shackle		

### 1.3 1340310- | INTEGRATED BLOCK |



POS. NR.	TEILE NR.	STUCK	BENENNUNG	DESCRIPTION	DESIGNATION	TECHNISCHE ANGABEN
POS. NR.	PART NR.	QUANTITY				TECHNICAL DATA
POS. NO.	PIECE NO.	QUANTITEE				DONNEES TECHNIQUES
1	CVA00122	1		Relief Valve (Size 10)		
2	CVA00123	1		Relief Valve PO (Size 10)		
3	CVA00124	2		Check Valve (Size 10)		
4	CVA00125	1		Double Pilot Operated Check Valve		
5	CVA00126	1		Double Pilot Operated Check Valve		
6	CVA00128	1		Load Holding Valve		
7	CVA00132	1		Check Valve (Insert Type)		
8	CVA00135	1		Double Cetop 2 Valve		
9	CVA00136	1		Single Cetop 2 Valve		
10	CVA00137	4		Push/Pull Deutsch Coil		
11	CVA00140	2		Cartridge Spool Valve, 4 way, 3 position.		
12	CVA00141	1		Flow Restrictor with Knob.		
13	CVA00146	1		Relief Valve (Size 8)		
14	CVA00147	1		Pilot Operated Check Valve		
15	CVA00149	4		Coil Deutsch for Cartridge		
16	CVA00150	2		Poppet Cartridge NC (Single Check)		
17	CVA00151	2		Poppet Cartridge NC(Double Check)		
18	CVA00152	1		Variable Flow Restrictor/Shut Off Valve.		
19	CVA00153	1		Proportional Flow Control Valve		
20	CVA00154	1		Deutsch Proportional KUDSR Coil		
21	CVA00169	1		Valve Manifold		

## 1.4 CHY00006- | TOWER BLOCK |



POS. NR.	TEILE NR.	STUCK	BENENNUNG	DESCRIPTION	DESIGNATION	TECHNISCHE ANGABEN
POS. NR.	PART NR.	QUANTITY				TECHNICAL DATA
POS. NO.	PIECE NO.	QUANTITEE				DONNEES TECHNIQUES
1	CVA00012	2		Cross Sign Relief Valve		
2	CVA00013	1		Counter Balance Valve		
3	CVA00014	1		Insert Check Valve		
4	CVA00076	1		Deutsch Coil Reversing Valve		
5	CVA00166	1		Tower Block Body		
6	CVA00008	4		M5 Flat Washer		
7	CVA00017	4		M5 x 30 Allen Head Bolt		

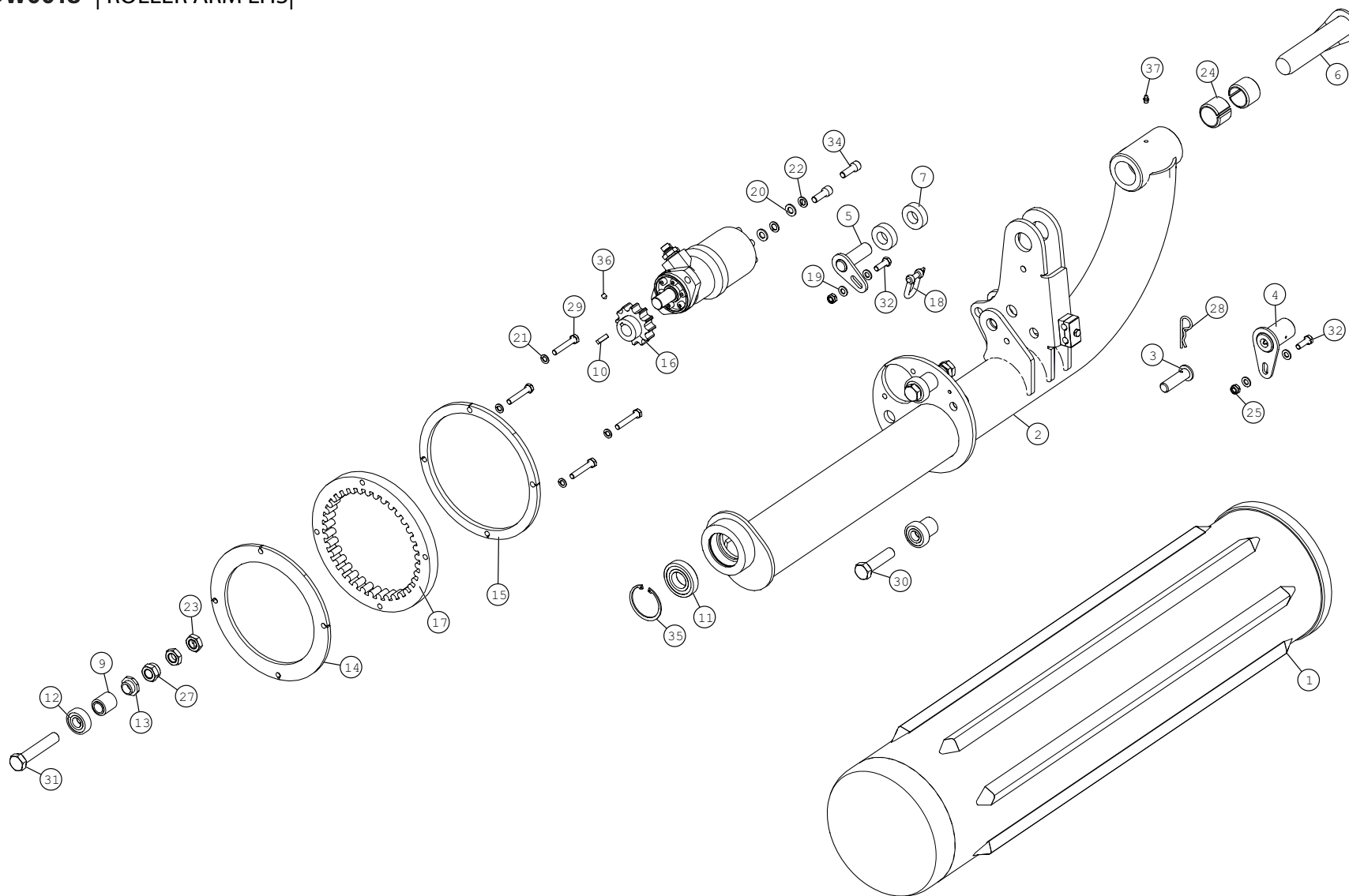
TANCO S200 V CHY00006

| TOWER BLOCK |



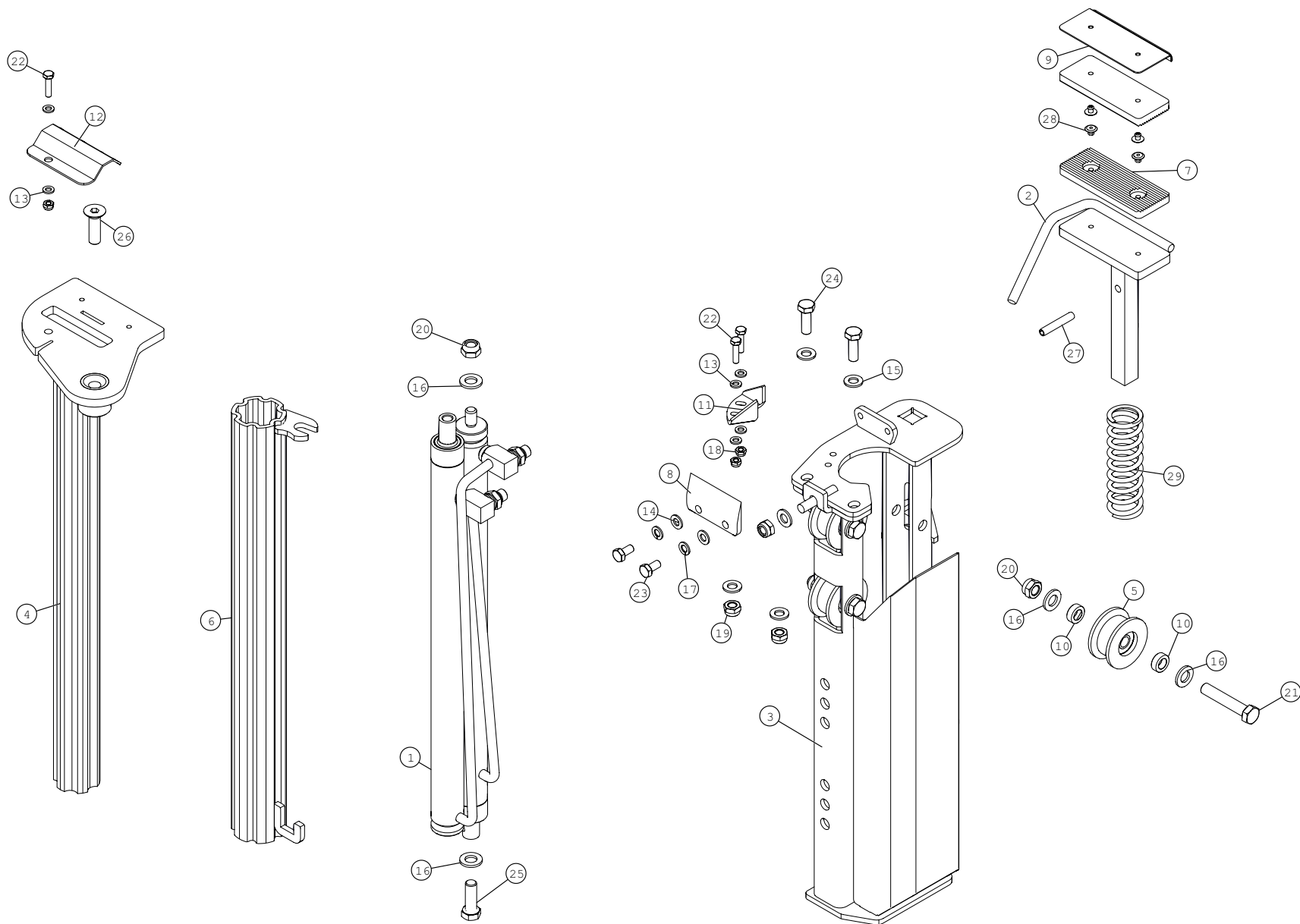
POS. NR.	TEILE NR.	STUCK	BENENNUNG	DESCRIPTION	DESIGNATION	TECHNISCHE ANGABEN
POS. NR.	PART NR.	QUANTITY				TECHNICAL DATA
POS. NO.	PIECE NO.	QUANTITEE				DONNEES TECHNIQUES
1	1330890	1		S Series Smooth Roller		
2	1340030	1		S Series Roller Arm RHS		
3	1315102	1		Roller Arm Pivot Pin		
4	1315104	1		Ram Mounting Pin		
5	1315110	1		Width Extension Pin		
6	1340050	1		Roller Arm Long Pin		
7	1315105	2		Width Ram Spacer_Long		
8	1340155	1		Roller Drive Motor		
9	34105718	4		Boss Bearing		
10	34270111	1		8mm x 7mm x 30mm Key Steel		
11	34321521	1		1726207 2RS (HMEC) Bearing		
12	34321529	4		Ball Bearing (361204 R SKF)		
13	34351006	2		Eccentric Boss		
14	34360519	1		Ring Roller Middle		
15	34360523	1		Ring Roller Shield		
16	34810042	1		12 Tooth (3/4") Sprocket		
17	34810044	1		Roller Sprocket		
18	FAS34003	1		4mm R-clip Type E [DIN 11024]		
19	Z38-03	1		3/8" D Shackle		
20	Z03-20-12	2		50 X 40 Bore X 40mm LG Ten Bus		
21	FAS01005	4		M10 Flat Washer [DIN 125]		
22	FAS01006	7		M12 Flat Washer [DIN 125]		
23	FAS02005	4		M10 Spring Lock Washer [DIN 127]		
24	FAS02006	2		M12 Spring Lock Washer [DIN 127]		
25	FAS04105	4		M20 Thin Hex Nut [DIN 936]		
26	FAS05006	2		M10 Locknut [DIN 985]		
27	FAS05009	1		M12 Locknut [DIN 985]		
28	FAS05015	4		M20 Locknut [DIN 985]		
29	FAS06130	4		M10 X 60 Hex Bolt [DIN 931]		
30	FAS06244	2		M20 X 80 Hex Bolt [DIN 931]		
31	FAS06253	2		M20 X 110 Hex Bolt [DIN 931]		
32	FAS07142	2		M10 X 30 Hex Set [DIN 933]		
33	FAS07187	1		M12 X 40 Hex Set [DIN 933]		
34	FAS11289	2		M12 X 35 Allen Head Set [DIN 912]		
35	FAS16040	1		Internal Circlip - 72 X 2.5 [DIN 472]		
36	FAS21023	1		M8 X 10 Grub Screw [DIN 914]		
37	FAS27005	3		M8 x 1.25 Grease Nipple [DIN 71412 A]		

### 3. SPDW0018- | ROLLER ARM LHS|



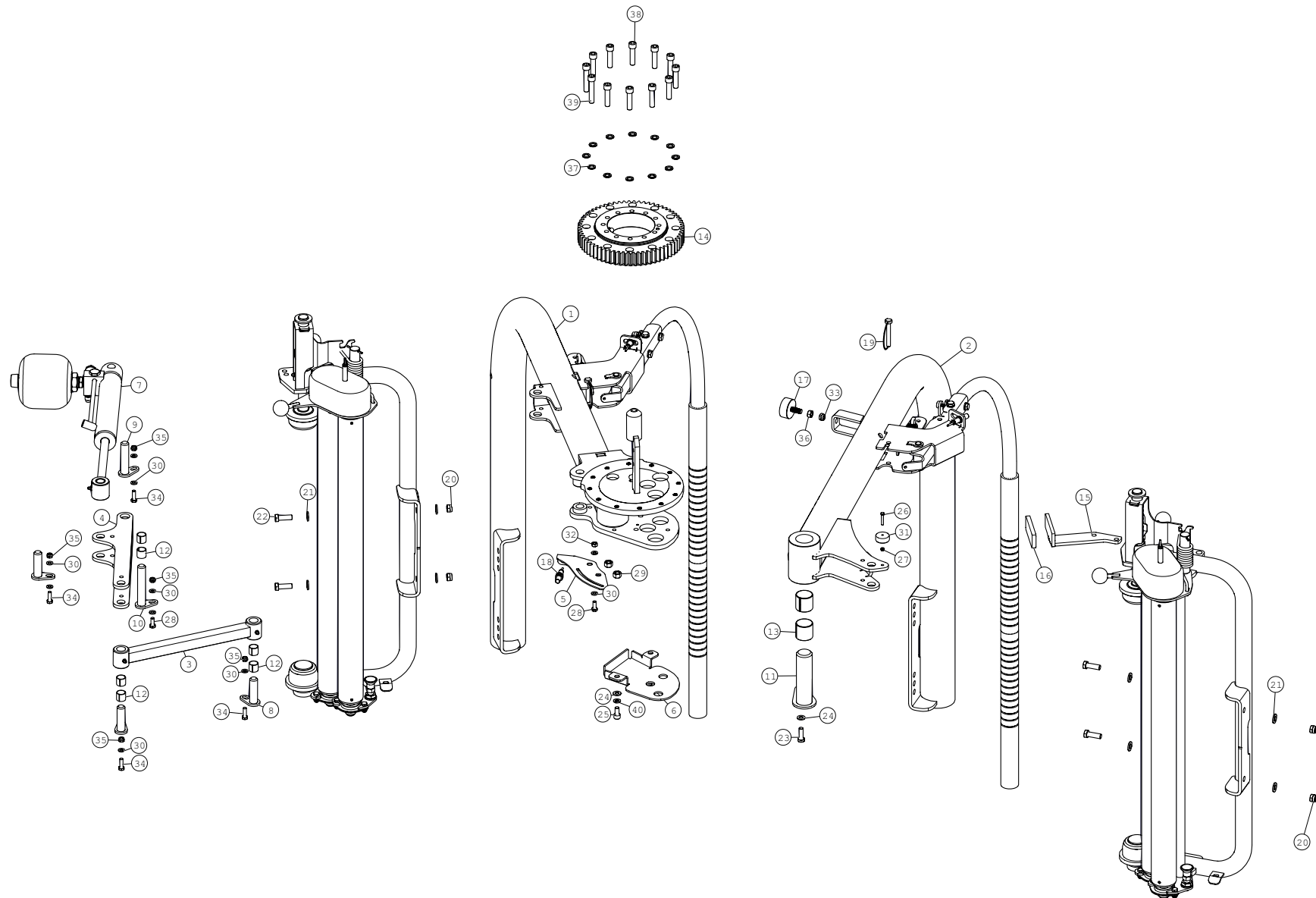
POS. NR.	TEILE NR.	STUCK	BENENNUNG	DESCRIPTION	DESIGNATION	TECHNISCHE ANGABEN
POS. NR.	PART NR.	QUANTITY				TECHNICAL DATA
POS. NO.	PIECE NO.	QUANTITEE				DONNEES TECHNIQUES
1	1330890	1		S Series Smooth Roller		
2	1340030	1		S Series Roller Arm RHS		
3	1315102	1		Roller Arm Pivot Pin		
4	1315104	1		Ram Mounting Pin		
5	1315110	1		Width Extension Pin		
6	1340050	1		Roller Arm Long Pin		
7	1315105	2		Width Ram Spacer_Long		
8	1340155	1		Roller Drive Motor		
9	34105718	4		Boss Bearing		
10	34270111	1		8mm x 7mm x 30mm Key Steel		
11	34321521	1		1726207 2RS (HMEC) Bearing		
12	34321529	4		Ball Bearing (361204 R SKF)		
13	34351006	2		Eccentric Boss		
14	34360519	1		Ring Roller Middle		
15	34360523	1		Ring Roller Shield		
16	34810042	1		12 Tooth (3/4") Sprocket		
17	34810044	1		Roller Sprocket		
18	FAS34003	1		4mm R-clip Type E [DIN 11024]		
19	Z38-03	1		3/8" D Shackle		
20	Z03-20-12	2		50 X 40 Bore X 40mm LG Ten Bus		
21	FAS01005	4		M10 Flat Washer [DIN 125]		
22	FAS01006	7		M12 Flat Washer [DIN 125]		
23	FAS02005	4		M10 Spring Lock Washer [DIN 127]		
24	FAS02006	2		M12 Spring Lock Washer [DIN 127]		
25	FAS04105	4		M20 Thin Hex Nut [DIN 936]		
26	FAS05006	2		M10 Locknut [DIN 985]		
27	FAS05009	1		M12 Locknut [DIN 985]		
28	FAS05015	4		M20 Locknut [DIN 985]		
29	FAS06130	4		M10 X 60 Hex Bolt [DIN 931]		
30	FAS06244	2		M20 X 80 Hex Bolt [DIN 931]		
31	FAS06253	2		M20 X 110 Hex Bolt [DIN 931]		
32	FAS07142	2		M10 X 30 Hex Set [DIN 933]		
33	FAS07187	1		M12 X 40 Hex Set [DIN 933]		
34	FAS11289	2		M12 X 35 Allen Head Set [DIN 912]		
35	FAS16040	1		Internal Circlip - 72 X 2.5 [DIN 472]		
36	FAS21023	1		M8 X 10 Grub Screw [DIN 914]		
37	FAS27005	3		M8 x 1.25 Grease Nipple [DIN 71412 A]		

### 4. SPDW0022- | CUT & START ASSEMBLY |



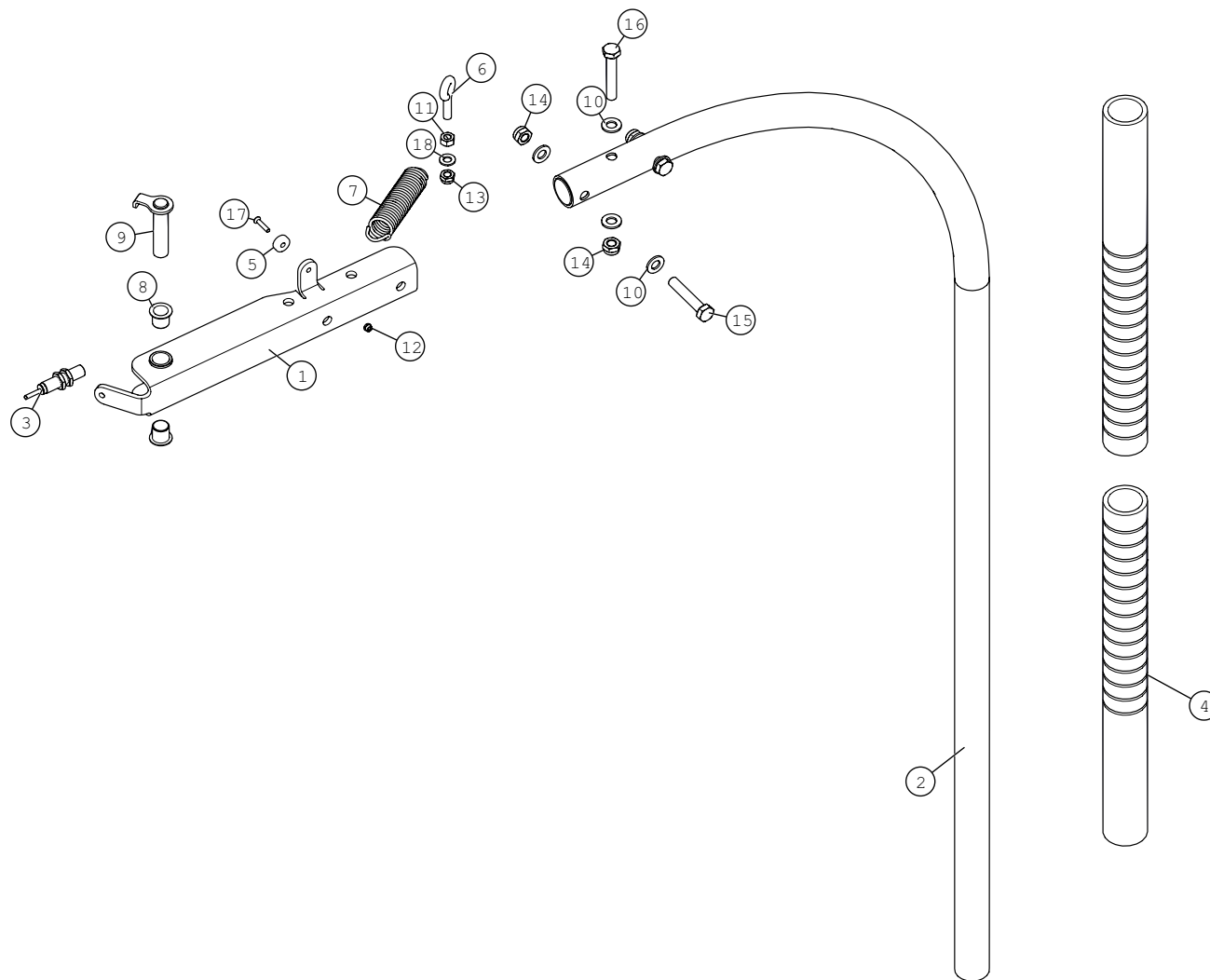
POS. NR.	TEILE NR.	STUCK	BENENNUNG	DESCRIPTION	DESIGNATION	TECHNISCHE ANGABEN
POS. NR.	PART NR.	QUANTITY				TECHNICAL DATA
POS. NO.	PIECE NO.	QUANTITEE				DONNEES TECHNIQUES
1	1330015	1		Cut & Start Cylinder		
2	1330304	1		Cut & Start Square Plunger Pin		
3	1330310	1		Cut & Start Main Frame		
4	1330320	1		Cut & Start Top Stage		
5	1330330	3		Cut & Start Wheel Complete		
6	1330340	1		Cut & Start Middle Stage		
7	1330305	2		Rubber Buffer 120 x 48mm		
8	1330307	1		Cut & Start Blade		
9	1330324	1		Gripper Mounting Profile		
10	1330325	6		Cut & Start Wheel Spacer		
11	1330345	1		Aluminium Plastic Remover		
12	CAW00047	1		C&S Blade Protector		
13	FAS01003	6		M6 Flat Washer [DIN 125]		
14	FAS01004	2		M8 Flat Washer [DIN 125]		
15	FAS01005	5		M10 Flat Washer [DIN 125]		
16	FAS01006	8		M12 Flat Washer [DIN 125]		
17	FAS02004	2		M8 Spring Lock Washer [DIN 127]		
18	FAS05003	3		M6 Locknut [DIN 985]		
19	FAS05006	3		M10 Locknut [DIN 985]		
20	FAS05009	4		M12 Locknut [DIN 985]		
21	FAS06169	3		M12 X 65 Hex Bolt [DIN 931]		
22	FAS07058	3		M6 X 25 Hex Set [DIN 933]		
23	FAS07088	2		M8 X 16 Hex Set [DIN 933]		
24	FAS07142	2		M10 X 30 Hex Set [DIN 933]		
25	FAS07184	1		M12 X 35 Hex Set [DIN 933]		
26	FAS13107	1		M12 X 40 Countersunk Allen Head Set [DIN 7991]		
27	FAS19059	1		M8 X 45 Roll Pin [DIN 1481]		
28	Z03-25-05	4		4.8 x 16 (VLA4816) Pop Rivet L		
29	Z07-49	1		Compression Spring Plated 120mm		

## 5. SPDW0093- | TRI ARM ASSEMBLY |



POS. NR.	TEILE NR.	STUCK	BENENNUNG	DESCRIPTION	DESIGNATION	TECHNISCHE ANGABEN
POS. NR.	PART NR.	QUANTITY				TECHNICAL DATA
POS. NO.	PIECE NO.	QUANTITEE				DONNEES TECHNIQUES
1	AWW00064			Main Wrapping Arm		
2	AWW00065			Primary Slave Wrapping Arm		
3	1330440			S Series Folding Linkage		
4	1314400			Fixed Linkage Assembly		
5	1340027			Unfold Sensor Bracket		
6	1340217			Twin/Tri Arm Wire Guard		
7	1518170			Folding Cylinder		
8	1315407			Linkage / Ram Pin		
9	1315405			Linkage / Ram Pin		
10	1315403			Main Arm Linkage Pin		
11	1330420			Wrap Arm Pivot Pin		
12	Z03-20-32			DX Bush 20mm ID X 20mm Long		
13	Z03-20-27 DU			40mm ID, 40mm Long		
14	1330051			Slew Ring		
15	CAW00114			Safety Arm Stop		
16	1314502			100 x 40mm Rubber Pad		
17	Z40-28			50mm x 21 Type D Buffer		
18	CEL00007			M12 Reed Type Sensor (3M Cable)		
19	Z03-22-07			3/8" Curved Linch Pin		
20	FAS05009			M12 Locknut [DIN 985]		
21	FAS01006			M12 Flat Washer [DIN 125]		
22	FAS07184			M12 X 35 Hex Set [DIN 933]		
23	fas07142			M10 X 30 Hex Set [DIN 933]		
24	FAS01005			M10 Flat Washer [DIN 125]		
25	FAS11211			M10 X 20 Allen Head Set [DIN 912]		
26	fas06019			M5 X 30 Hex Bolt [DIN 931]		
27	fas05002			M5 Locknut [DIN 985]		
28	FAS07091			M8 X 20 Hex Set [DIN 933]		
29	FAS04012			M12x1.25 Plain Hex Nut [DIN 934]		
30	FAS01004			M8 Flat Washer [DIN 125]		
31	1309201			RDS Sensor Magnet		
32	FAS04005			M8 Plain Hex Nut [DIN 934]		
33	FAS05006			M10 Locknut [DIN 985]		
34	FAS07094			M8 X 25 Hex Set [DIN 933]		
35	FAS05004			M8 Locknut [DIN 985]		
36	fas04009			M10 Plain Hex Nut [DIN 934]		
37	FAS30106			M12 Nordlock Washers (Pairs)		
38	FAS12231			M12x1.25 X 50 Allen Head Set [DIN 912]		
39	FAS12246			M12x1.25 X 65 Allen Head Set [DIN 912]		
40	FAS02005			M10 Spring Lock Washer [DIN 127]		

### 5.1 SPDW00093\_02- | SAFETY ARM ASSEMBLY |

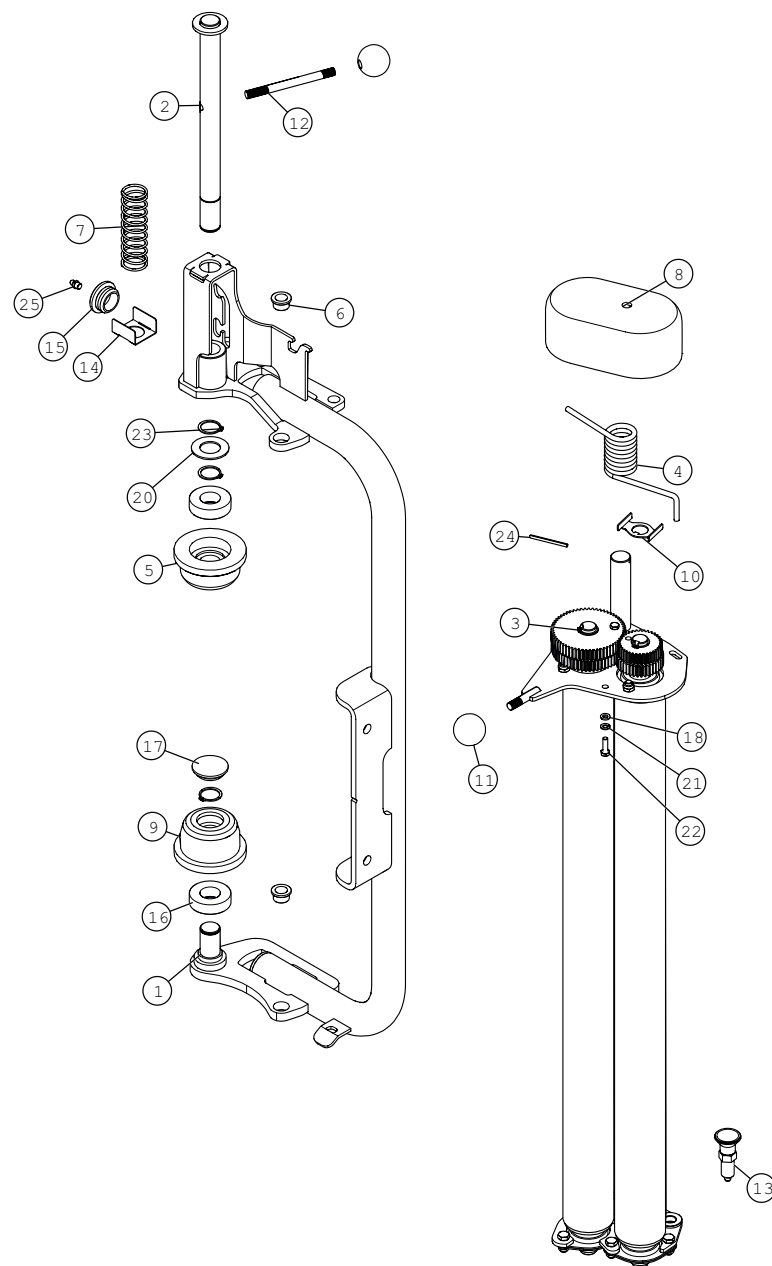


POS. NR. POS. NR. POS. NO.	TEILE NR. PART NR. PIECE NO.	STUCK QUANTITY QUANTITEE	BENENNUNG	DESCRIPTION	DESIGNATION	TECHNISCHE ANGABEN TECHNICAL DATA DONNEES TECHNIQUES
1	AWW00019			Safety Arm Bracket		
2	CAW00039			Safety Arm Assembly		
3	CEL00007			M12 Reed Type Sesnor		
4	1330043			Safety Arm Foam Cover		
5	1309206			Red Magnet		
6	34119043			Eye Bolt (M8 x 25mm)		
7	34430300			Pull Spring ( 26 x 3.25 x 12)		
8	CAW00031			IGUS Safety Arm Pivot Bush		
9	CAW00035			Safety Arm Pivot Pin		
10	FAS01005			M10 Flat Washer [DIN 125]		
11	FAS04005			M8 Plain Hex Nut [DIN 934]		
12	FAS05001			M4 Locknut [DIN 985]		
13	FAS05004			M8 Locknut [DIN 985]		
14	FAS05006			M10 Locknut [DIN 985]		
15	FAS06127			M10 X 55 Hex Bolt [DIN 931]		
16	FAS06130			M10 X 60 Hex Bolt [DIN 931]		
17	FAS13009			M4 X 20 Countersunk Allen Head Set [DIN 7991]		
18	FAS01004			M8 Flat Washer [DIN 125]		

TANCO S200 V SPDW0093\_02

| SAFETY ARM ASSEMBLY |

## 6 SPDW0010- | DISPENSER ASSEMBLY |

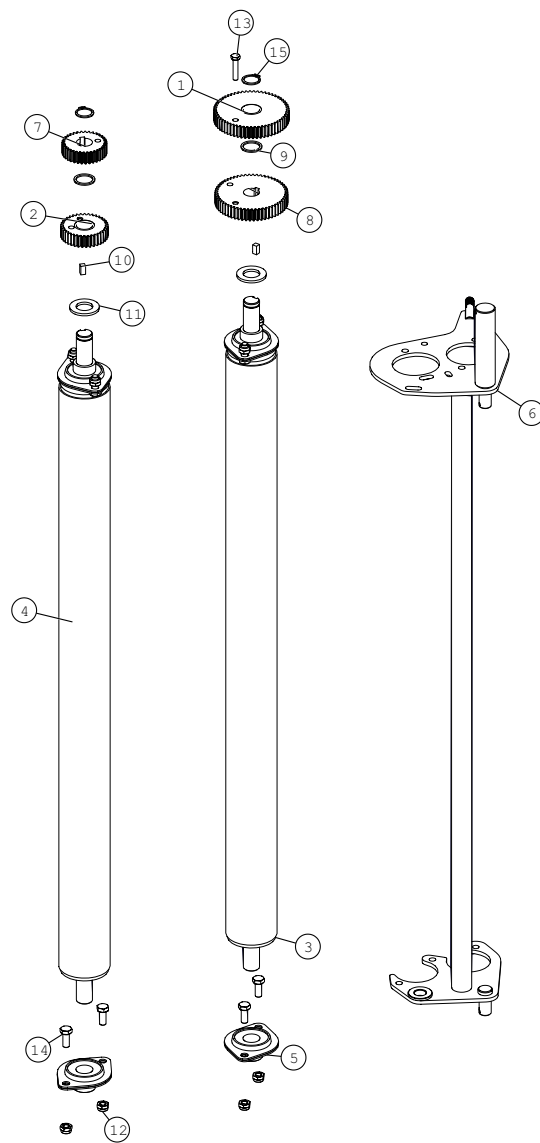


POS. NR.	TEILE NR.	STUCK	BENENNUNG	DESCRIPTION	DESIGNATION	TECHNISCHE ANGABEN
POS. NR.	PART NR.	QUANTITY				TECHNICAL DATA
POS. NO.	PIECE NO.	QUANTITEE				DONNEES TECHNIQUES
1	AWW00013	1		Dispenser Frame		
2	CAW00042	1		Top Cone Mounting Pin		
3	CAW00046	1		Dispenser Insert Assembly		
4	1115109	1		Dispenser Torsion Spring		
5	1115110	1		Upper Cone		
6	1115111	2		Dispenser Insert Pivot Bush		
7	1305021	1		Compression Spring		
8	1305125	1		Dispenser Gearbox Cover TDG01		
9	1405006	1		Bottom Nylon Cone		
10	2011066	1		A200 Film Break Bracket		
11	CAW00043	2		Dispenser Ball Handle		
12	CAW00044	1		Cone Rod		
13	CAW00045	1		Dispenser Index Plunger		
14	CAW00066	1		Spring Retainer Profile		
15	CSW00002	2		42mm OD Tube Cap		
16	Z06-AWRB	2		Ball Bearing (6205-ZZ LDK)		
17	Z32-15F	1		1 1/4" NB Tube Insert (37mm)		
18	FAS01003	2		M6 Flat Washer [DIN 125]		
19	FAS01007	2		M14 Flat Washer [DIN 125]		
20	FAS01017	1		M25 Flat Washer [Light Duty]		
21	FAS02003	2		M6 Spring Lock Washer [DIN 127]		
22	FAS07055	2		M6 X 20 Hex Set [DIN 933]		
23	FAS17013	3		External Circlip - 25 X 1.2 [DIN 471]		
24	FAS19022	3		M4 X 50 Roll Pin [DIN 1481]		
25	FAS27005	1		M8 x 1.25 Grease Nipple [DIN 71412 A]		

TANCO S200 V SPDW0010

| DISPENSER ASSEMBLY |

## 6.1 CAW00046- | DISPENSER INSERT |

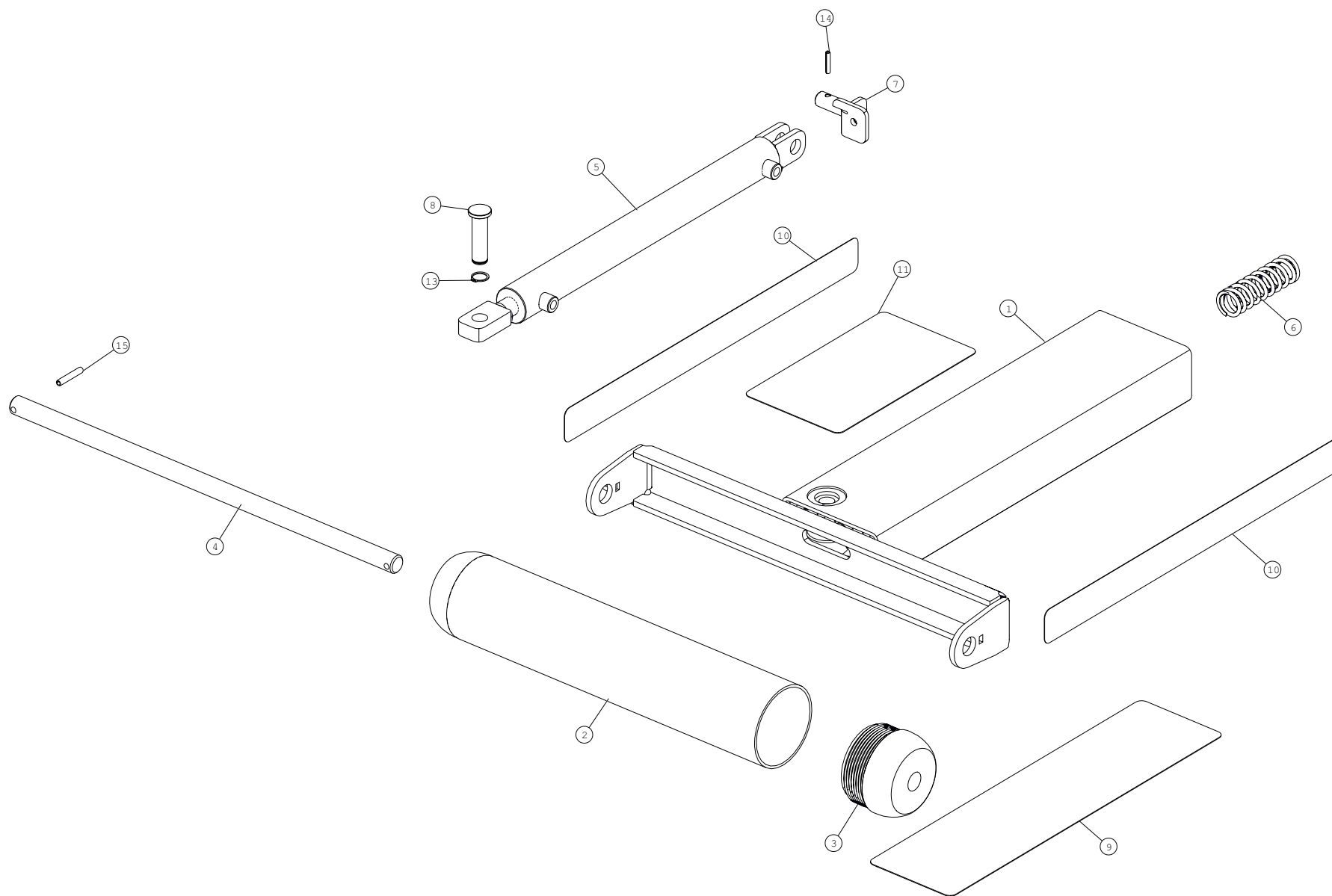


POS. NR. POS. NR. POS. NO.	TEILE NR. PART NR. PIECE NO.	STUCK QUANTITY QUANTITEE	BENENNUNG	DESCRIPTION	DESIGNATION	TECHNISCHE ANGABEN TECHNICAL DATA DONNEES TECHNIQUES
1	1305101	1		60T x 16mm 70% Dispenser Gear		
2	1305104	1		37T x 16mm 55% Dispenser Gear		
3	1305120	1		Inner Roller		
4	1305121	1		Outer Roller		
5	1305122	4		RHP Bearing SLFL20A (204)		
6	AWW00026	1		Dispenser Insert Frame		
7	1305102	1		35T x 16mm 70% Dispenser Gear		
8	1305103	1		55% Disp. Gear (58T x 16mm)		
9	1305115	2		Copper Washer		
10	1305123	2		6mm Key Steel x 12mm Long		
11	FAS01010	2		M20 Flat Washer [DIN 125]		
12	FAS05004	8		M8 Locknut [DIN 985]		
13	FAS06040	1		M6 X 30 Hex Bolt [DIN 931]		
14	FAS07091	8		M8 X 20 Hex Set [DIN 933]		
15	FAS17009	2		External Circlip - 20 X 1.2 [DIN 471]		

TANCO S200 V CAW00046

| DISPENSER INSERT |

## 7. SPDW0030- I END TIP ASSEMBLY I

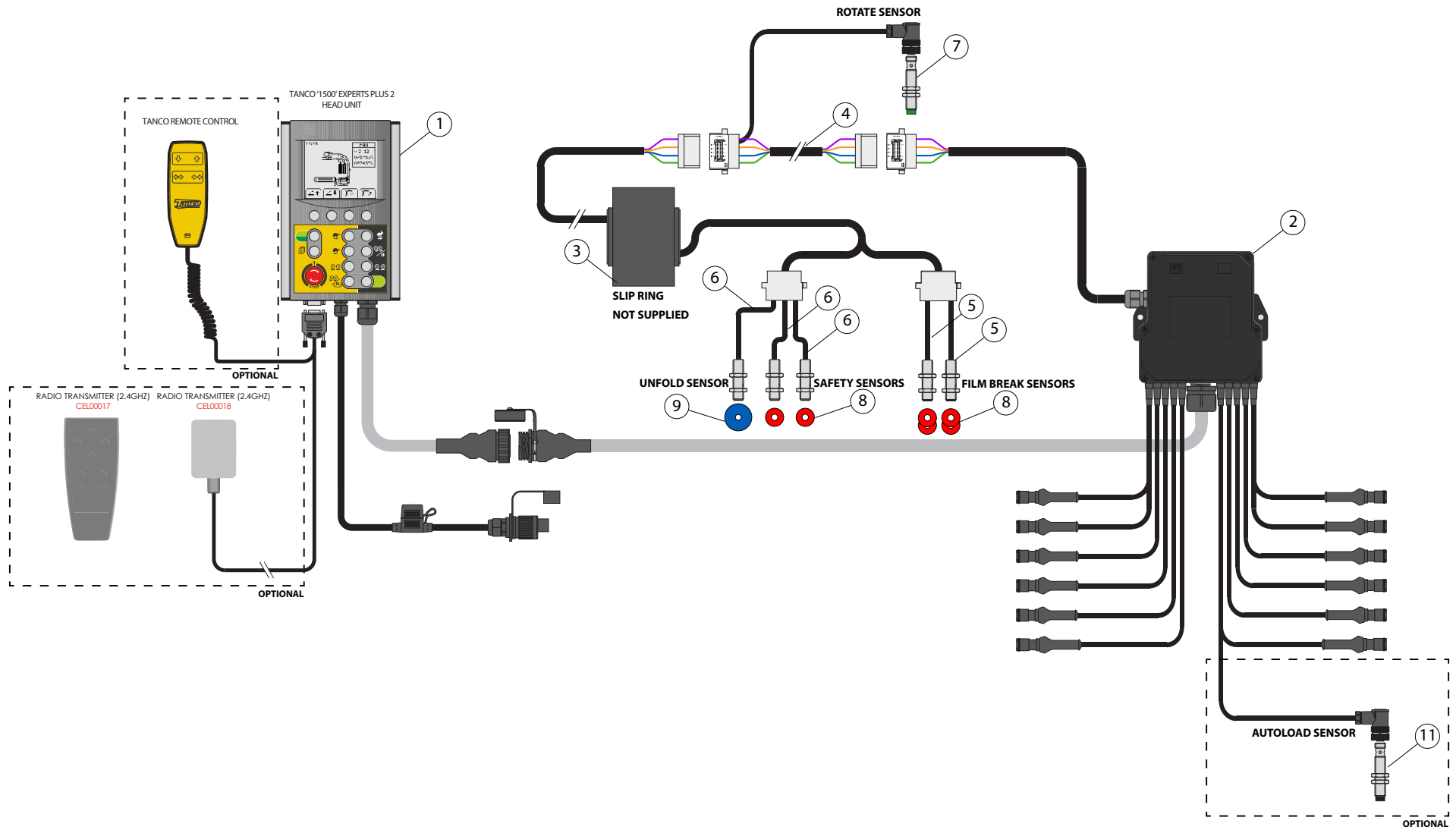


POS. NR. POS. NR. POS. NO.	TEILE NR. PART NR. PIECE NO.	STUCK QUANTITY QUANTITEE	BENENNUNG	DESCRIPTION	DESIGNATION	TECHNISCHE ANGABEN TECHNICAL DATA DONNEES TECHNIQUES
1	1340185	1		End-Tip Frame		
2	1340183	1		End-Tip Roller Tube		
3	1100156	2		Roller End Cap		
4	1340182	1		End-Tip Roller Shaft		
5	1340205	1		S Series Sliding End-tip Cylinder		
6	Z07-49	1		Compression Spring Plated 120mm		
7	1340190	1		Cylinder/Spring Mounting Pin		
8	1340195	1		Cylinder Rod Pin		
9	1340202	1		IGUS Tape Bottom		
10	1340203	2		IGUS Tape Side		
11	1340204	1		IGUS Tape Top		
12	FAS17009	1		External Circlip - 20 X 1.2 [DIN 471]		
13	FAS19033	1		M6 X 30 Roll Pin [DIN 1481]		
14	FAS19059	1		M8 X 45 Roll Pin [DIN 1481]		

TANCO S200 V SPDW0030

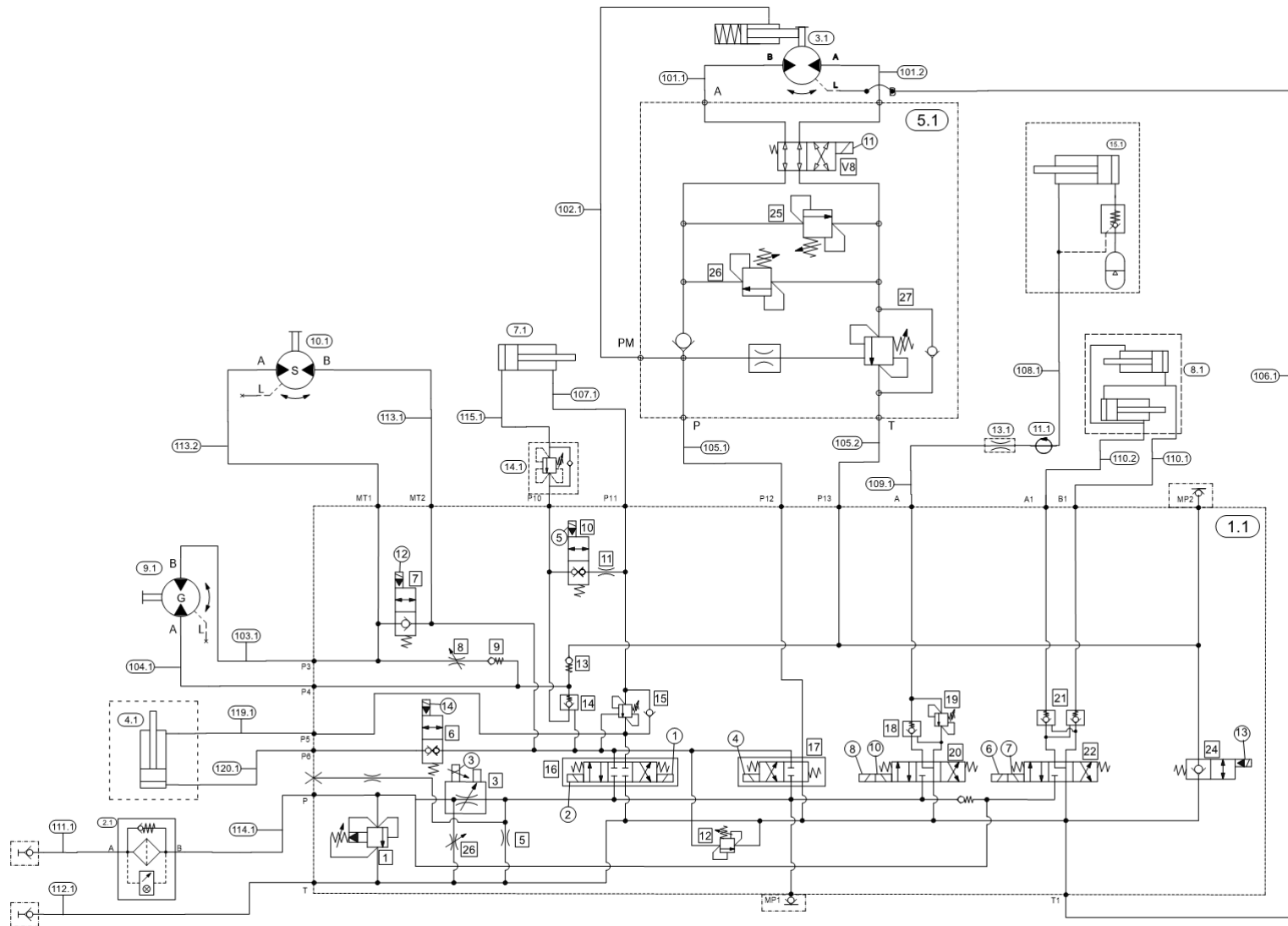
| END TIP ASSEMBLY |

## 8. ELECTRICAL COMPONENTS





## 9. HYDRAULIC COMPONENTS



SCHY-S200V

Bosch Rexroth Scheme Editor

## Hydraulic Components

Pos.	Part No.	Designation	Qty
1.1	1340310	Main Valve Block	1
2.1	1308075	In-line Filter with Bypass and Indicator	1
3.1	1330070	Tower Motor	1
4.1	1340205	End Tip Cylinder	1
5.1	CHY00006	Tower Block	1
6.1	1330020	Unfold Cylinder	1
6.2	1330020	Unfold Cylinder	1
7.1	1318250	Loading Cylinder	1
8.1	1330015	Cut and Start Cylinder Assembly	1
9.1	1340155	Roller Motor (Smooth)	1
10.1	1340155	Roller Motor (Grooved)	1
11.1	1330099	Rotary Joint Coupling	1
12.1	1330021	Accumulator Block	1
13.1	Z01-03-39	Restrictor	1
14.1	Z01-03-10-A8SQ	Sequence Valve	1
15.1	z01-03-1047-A	1/4 Speed Control Valve	1

101.1	Hydraulic Hose	3/8 x 3900mm 90 Bend   Straight	1
101.2	Hydraulic Hose	3/8 x 3900mm 90 Bend   Straight	1
102.1	Hydraulic Hose	1/4 x 3900mm	1
103.1	Hydraulic Hose	3/8 x 1230mm 90 Bend   1/2 Banjo (Inline)	1
104.1	Hydraulic Hose	3/8 x 1280mm 90 Bend   1/2 Banjo (Inline)	1
105.1	Hydraulic Hose	3/8 x 450mm Straight   1/2 Banjo	1
105.2	Hydraulic Hose	3/8 x 450mm Straight   1/2 Banjo	1
106.1	Hydraulic Hose	1/4 x 4100mm Straight   90 Bend	1
107.1	Hydraulic Hose	3/8 x 1000mm 90 Bend   90 Bend	1
109.1	Hydraulic Hose	1/4 x 3900 Straight   90 Bend	1
110.1	Hydraulic Hose	1/4 x 1750mm Straight   45 bend	1
110.2	Hydraulic Hose	1/4 x 1750mm Straight   45 bend	1
111.1	Hydraulic Hose	1/2 x 2000mm 90 Degree bend	1
112.1	Hydraulic Hose	1/2 x 2000mm 90 Degree Bend	1
113.1	Hydraulic Hose	3/8 x 1600mm 90 angle   1/2 Banjo (Inline)	1
113.2	Hydraulic Hose	3/8 x 1600mm 90 angle   1/2 Banjo (Inline)	1
114.1	Hydraulic Hose	1/2 x 450mm Straight   90 degree bend	1
115.1	Hydraulic Hose	3/8 x 1200mm	1
116.1	Hydraulic Hose	1/4 x 350mm Straight   Banjo	1
116.2	Hydraulic Hose	1/4 x 350mm Straight   Banjo	1
117.1	Hydraulic Hose	1/4 x 700mm Straight   90 Bend	1
118.1	Hydraulic Hose	3/8 x 1200mm 90   90 (315 Deg.)	1
119.1	Hydraulic Hose	3/8 x 1050mm Straight   90 bend	1
120.1	Hydraulic Hose	3/8 x 400mm Straight   90 Bend Compact	1



# TANCO



---

## CONTACT

### Address

**Tanco Autowrap Ltd.**  
Royal Oak Road,  
Bagenaltown  
Co. Carlow  
Ireland

### Phone & Online

Phone: + 353 59 972 1336  
Email: [info@itanco.com](mailto:info@itanco.com)  
Website: [www.tanco.global](http://www.tanco.global)  
Support: [tanco.zendesk.com](https://tanco.zendesk.com)