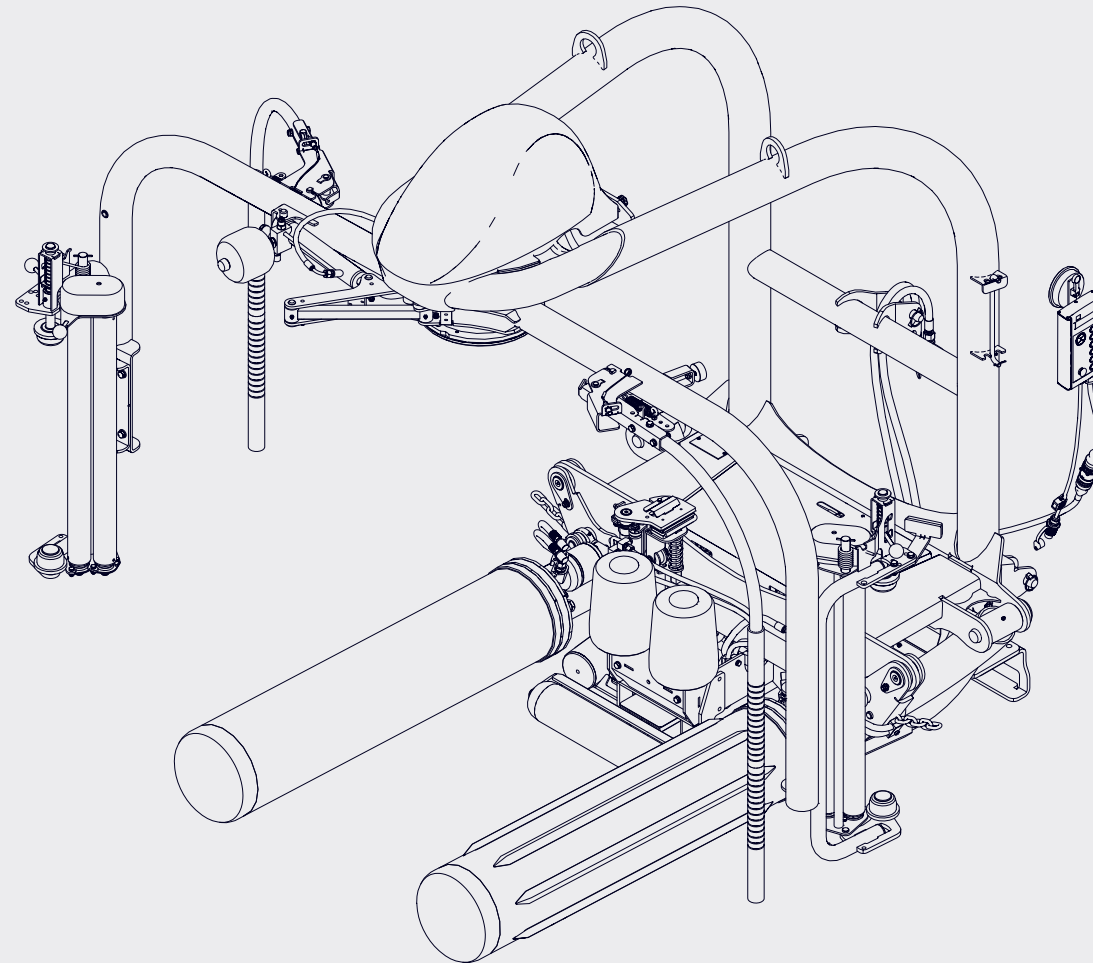




Experts in your field



AUTOWRAP

S200 V

SPARE PARTS MANUAL

V.008_EN

Tanco Autowrap Ltd.

Royal Oak Road,
Bagenaltown
Co. Carlow
Ireland

Phone: + 353 59 972 1336
Email: info@itanco.com
Website: www.tanco.global
Support: tanco.zendesk.com



TANCO

TANCO

S200 Variwrap

S200 V Spare Parts List

We recommend that when you require spare parts you use only original parts. When ordering spare parts please follow the following steps;

1. Identify the part you require using the detailed drawings.
2. Once you have identified the part you require reference the item number relating to the part on the item list where you will find the part number and description of the part you require. You will be required to give the complete part no and description when ordering your part(s).
3. When ordering you must give the Serial Number and Model Number of the machine.
4. All orders must go through your local Tanco Dealer, and must be either faxed or e-mailed to Tanco Autowrap.

S200 V Ersatzteilliste

Wir empfehlen, nur Originalteile als Ersatzteile zu verwenden. Befolgen Sie bei der Bestellung von Ersatzteilen bitte die folgenden Schritte:

1. Stellen Sie anhand der detaillierten Zeichnungen fest, welches Teil Sie benötigen.
2. Haben Sie das benötigte Teil identifiziert, geben Sie die Teilnummer auf dem Bestellschein an, mit dem Sie das/die Ersatzteil/e bestellen.
3. Geben Sie bei jeder Bestellung die Serien- und die Modellnummer Ihrer Maschine an.
4. Alle Bestellungen müssen über Ihren Tanco-Händler vor Ort erfolgen und müssen Tanco Autowrap als Fax oder E-Mail erreichen.

Liste des pièces de rechange S200 V

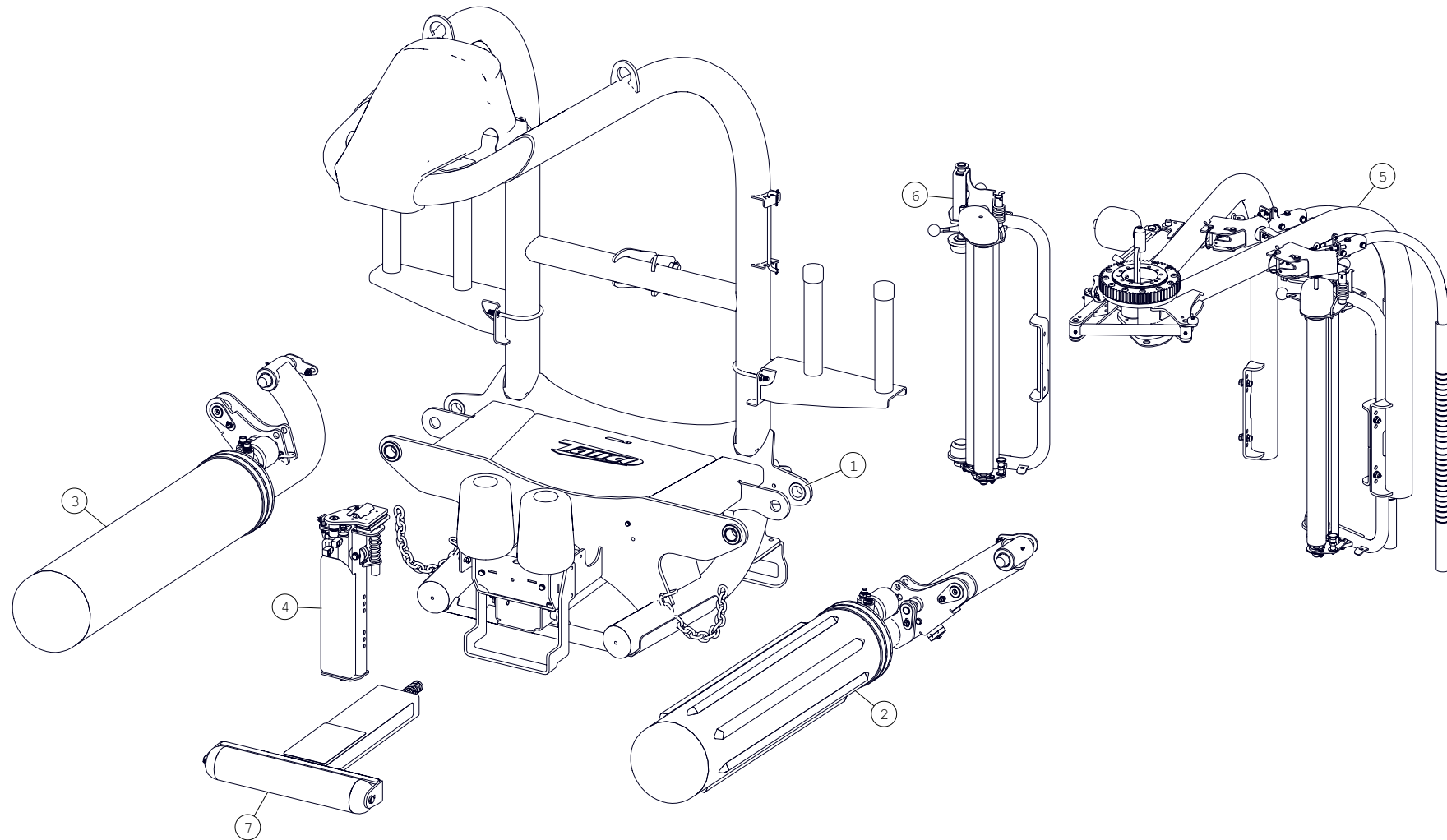
Si vous avez besoin de pièces de rechange, nous vous recommandons de n'utiliser que des pièces garanties d'origine. Pour toute commande de pièces de rechange, veuillez suivre les étapes suivantes :

1. Identifiez la pièce dont vous avez besoin à l'aide des schémas détaillés.
 2. Après avoir identifié la pièce dont vous avez besoin, relevez son numéro de référence dans la liste des pièces dans laquelle vous trouverez également la description de la pièce requise. Lors de la commande, vous devez indiquer la référence et la description complètes de la pièce.
 3. Lors de la commande, vous devrez mentionner le numéro de série et le numéro de modèle de la machine.
 4. Vous devez effectuer toutes les commandes auprès de votre revendeur Tanco local et les faxer ou les envoyer par e-mail à Tanco Autowrap.
-

TABLE OF CONTENTS

OVERVIEW	4
CHASSIS ASSEMBLY.	6
BALE SUPPORT ROLLER	8
CHASSIS ASSEMBLY.10
INTERGRATED BLOCK12
TOWER BLOCK.14
ROLLER ARM RHS.16
ROLLER ARM LHS.18
CUT & START ASSEMBLY20
TRI ARM ASSEMBLY22
SAFETY ARM ASSEMBLY24
DISPENSER ARM ASSEMBLY.26
DISPENSER INSERT28
END TIP ASSEMBLY30
ELECTRIC COMPONENTS.32
EXPERT PLUS 2 HEADUNIT34
HYDRAULIC COMPONENTS36
HYDRAULIC HOSES38

S200-V OVERVIEW

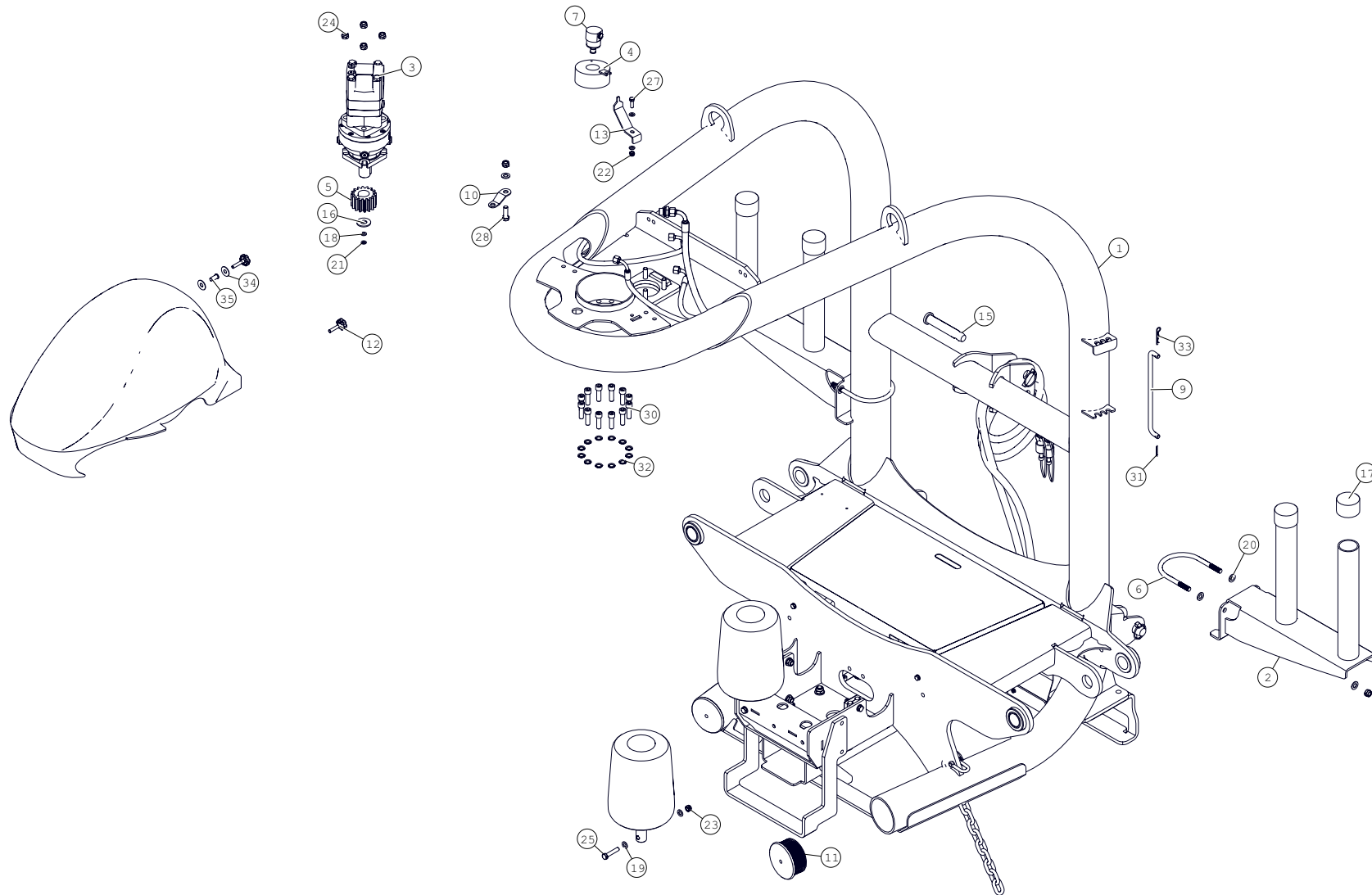


POS. NR.	TEILE NR.	STUCK	BENENNUNG	DESCRIPTION	DESIGNATION
POS. NR.	PART NR.	QUANTITY			
POS. NO.	PIECE NO.	QUANTITEE			
1	SPDW0025	1		VariWrap Chassis Assembly	Pg
2	SPDW0018	1		S Series Roller Arm LHS	Pg
3	SPDW0017	1		S Series Roller Arm RHS	Pg
4	SPDW0022	1		VariWrap Cut & Start Assembly	Pg
5	SPDW0093	1		Twin Arm Assembly	Pg
6	SPDW0010	1		Dispenser Assembly	Pg
7	SPDW0030	1		VariWrap End Tip Assembly	Pg

TANCO S200-V

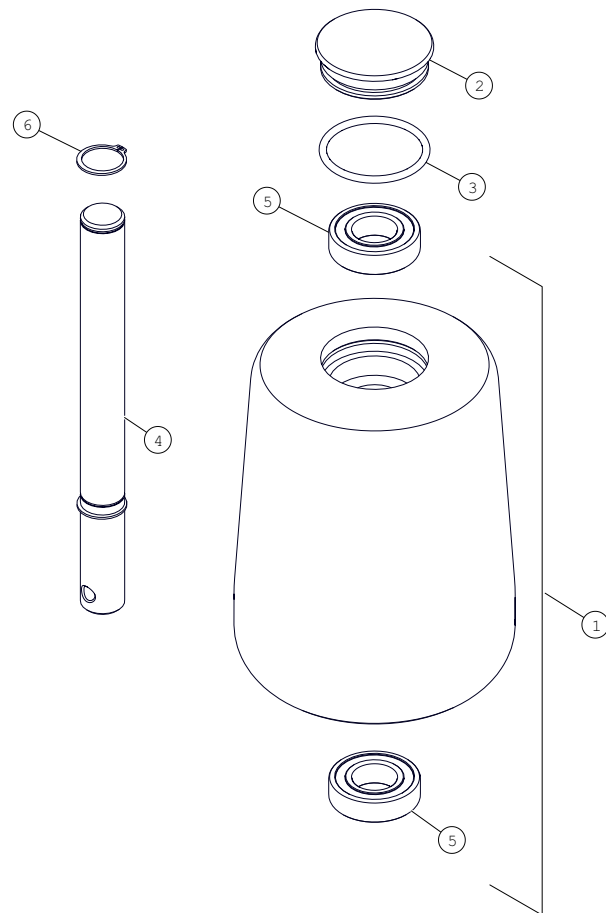
|OVERVIEW|TANCO S200-VT

1. SPDW0025_01 CHASSIS ASSEMBLY



POS. NR.	TEILE NR.	STUCK	BENENNUNG	DESCRIPTION	DESIGNATION	TECHNISCHE ANGABEN
POS. NR.	PART NR.	QUANTITY				TECHNICAL DATA
POS. NO.	PIECE NO.	W				DONNEES TECHNIQUES
1	1340000	1		S Series Chassis		
2	1330087	2		S Series Film Holder Assembly		
3	1330070	1		GMSY-200 Hydraulic Motor w/Brake		
4	1330055	1		Ø38 ID - 6 way Electrical Slip Ring		
5	1330060	1		16T Pinion		
6	1330089	1		M12 x 114mm ID U Bolt		
7	1330099	1		Hydraulic Rotary Coupling		
8	CAW00131	1		Motor Cover		
9	1330418	1		Vari/Auto Arm Parking Bracket		
10	1330636	1		Rotation Sensor Bracket		
11	1330778	1		Ø114 Heavy Duty Black Plastic Cap		
12	1340087	2		Handwheel (Scallop Male M8 x 40mm)		
13	1340216	1		Slip Ring Bracket		
15	34105635	1		Top Link Pin		
16	1330639	1		Tower Motor Washer		
17	Z32-085	1		2 3/8" NB Tube External Cap		
18	FAS01004	3		M8 Flat Washer [DIN 125]		
19	FAS01005	2		M10 Flat Washer [DIN 125]		
20	FAS01006	5		M12 Flat Washer [DIN 125]		
21	FAS02004	1		M8 Spring Lock Washer [DIN 127]		
22	FAS05004	1		M8 Locknut [DIN 985]		
23	FAS05006	1		M10 Locknut [DIN 985]		
24	FAS05009	7		M12 Locknut [DIN 985]		
25	FAS06124	1		M10 X 50 Hex Bolt [DIN 931]		
27	FAS07094	1		M8 X 25 Hex Set [DIN 933]		
28	FAS07184	1		M12 X 35 Hex Set [DIN 933]		
30	FAS12225	12		M12x1.25 X 40 Allen Head Set [DIN 912]		
31	FAS18030	1		Split Pin 3.2 x 28 [DIN 94]		
32	FAS30106	12		M12 Nordlock Washers (Pairs)		
33	FAS34001	1		2mm R-clip Type E [DIN 11024]		
34	Z10-02-11	2		11.2 x 1.5mm washer OD 30mm		
35	Z25-08	1		M8 Fastner Riv-Nut		
34	Z38-03	2		3/8" D Shackle		
35	Z01-24-28	1		Pipe Clamp Top Plate_Double		

1.1 SPDW0026 BALE SUPPORT ROLLER



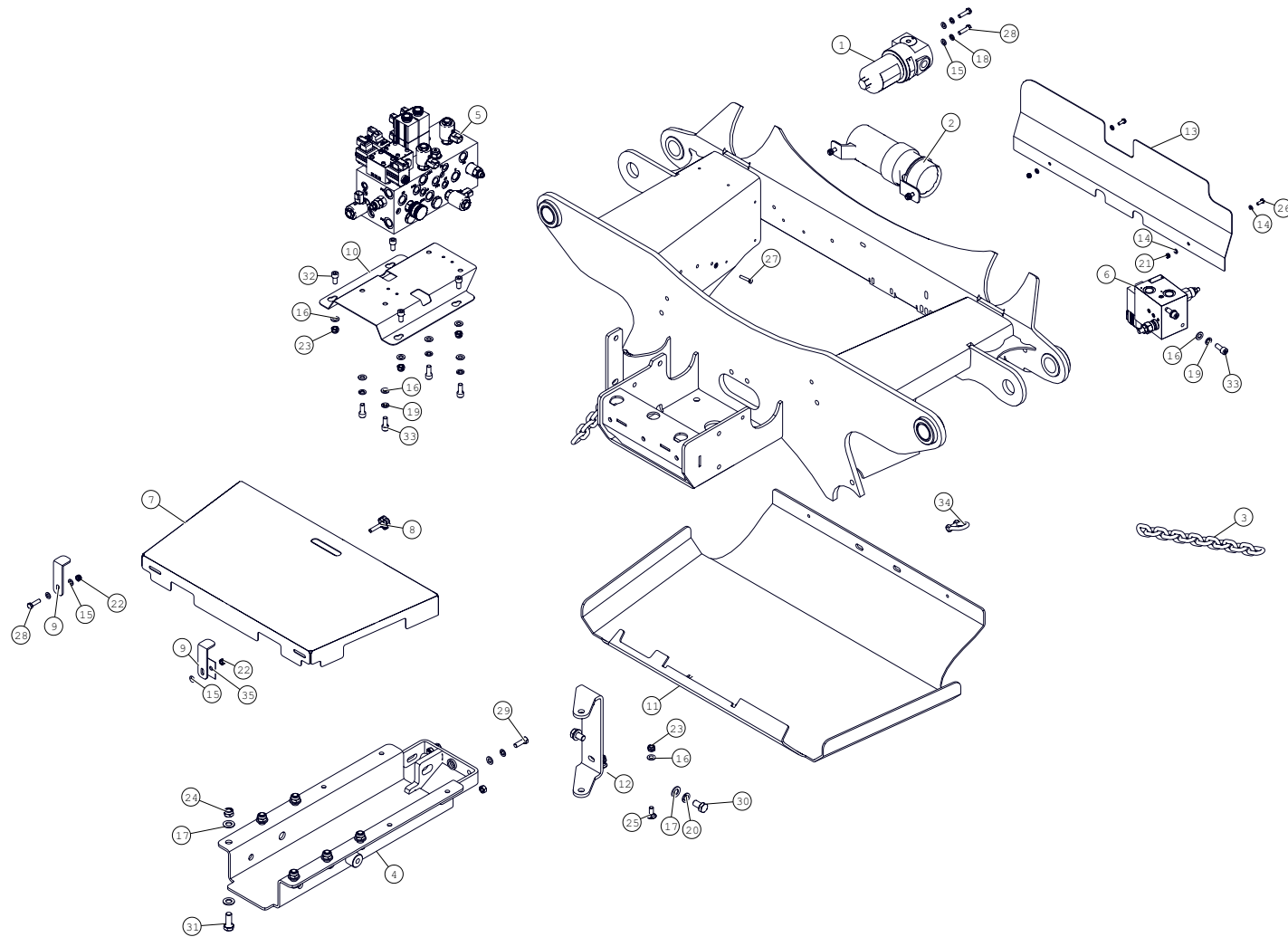
POS. NR.	TEILE NR.	STUCK	BENENNUNG	DESCRIPTION	DESIGNATION
POS. NR.	PART NR.	QUANTITY			
POS. NO.	PIECE NO.	QUANTITEE			
1	1340209_1	1		S Series Cone Roller	Pg
2	1340208	1		S Series Cone Roller Cap	Pg
3	1340215	1		O Ring ID 62 x 5mm	Pg
4	FAS17017	2		External Circlip - 30 X 1.5 [DIN 471]	Pg
5	1315108	1		Plastic Roller Shaft	Pg
6	34320508	2		Bearing 6206 2RS	Pg

Tanco S200-V

SPDW0026

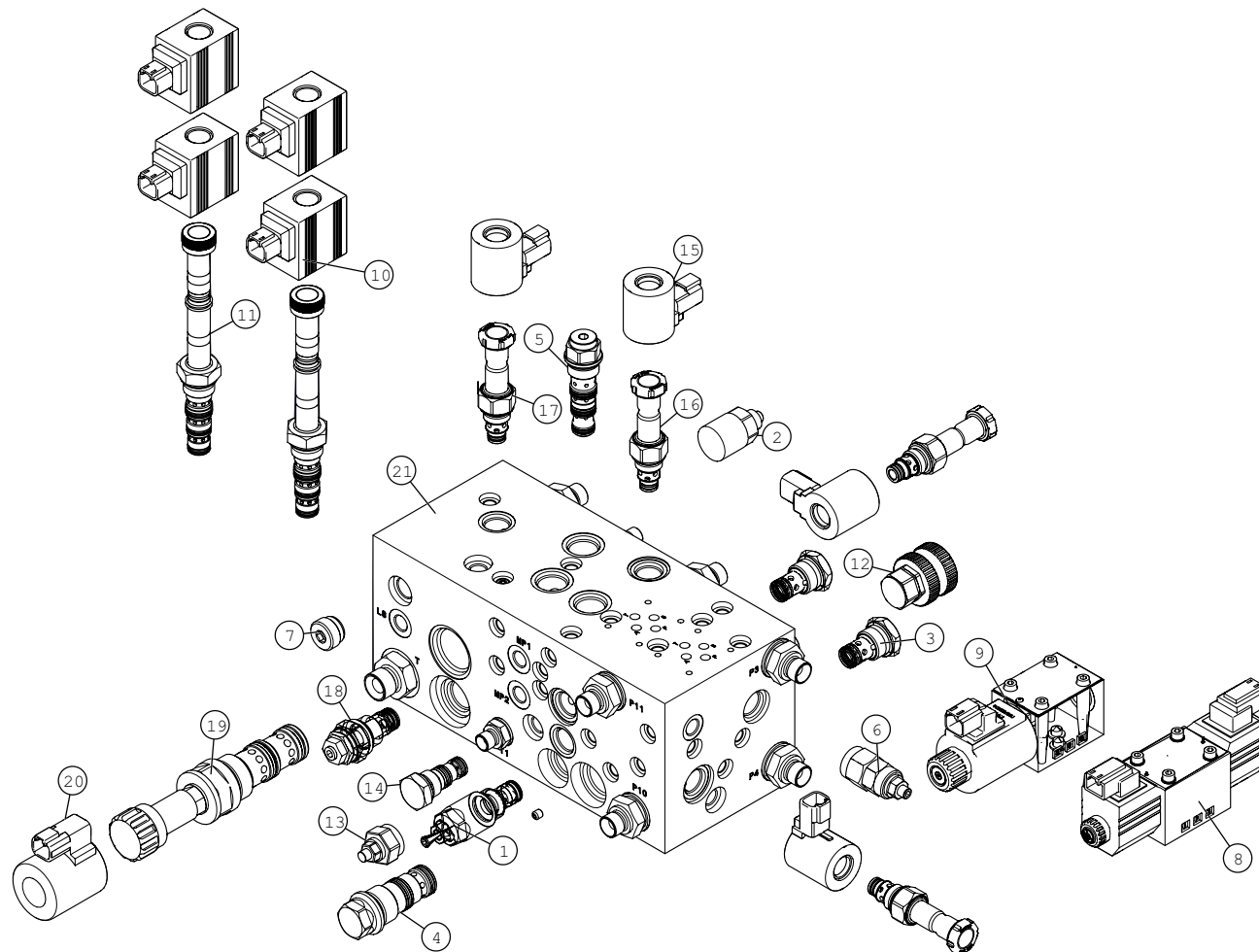
|BALE SUPPORT ROLLER|

1.2 SPDW0025-02 CHASSIS ASSEMBLY



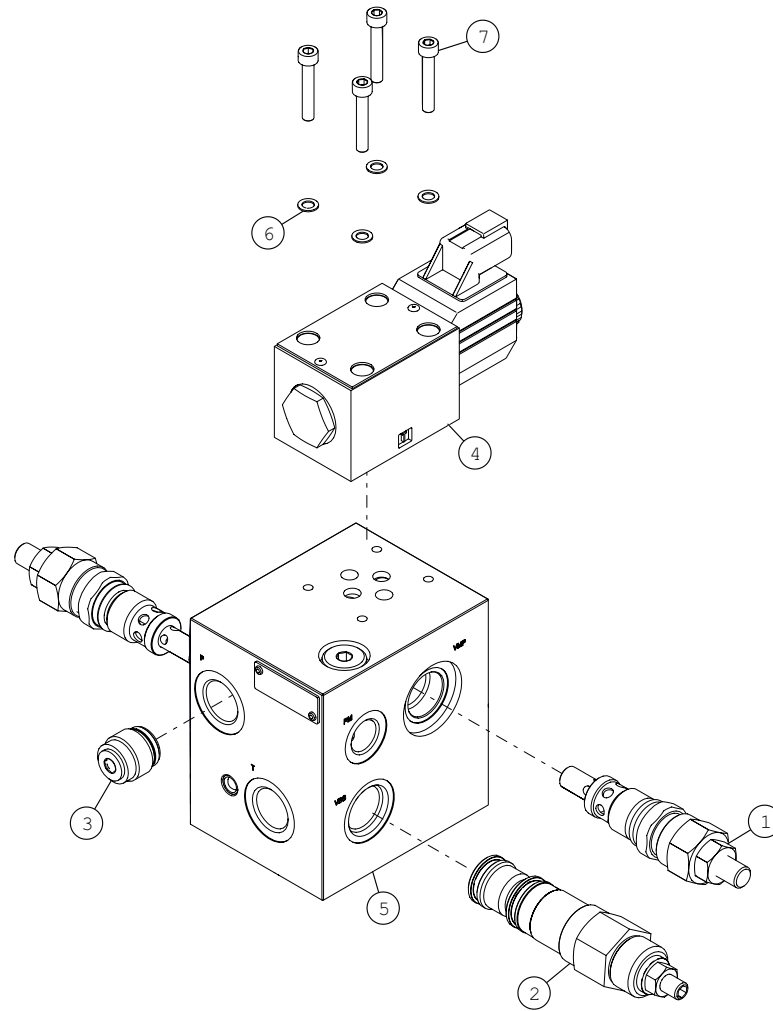
POS. NR.	TEILE NR.	STUCK	BENENNUNG	DESCRIPTION	DESIGNATION	TECHNISCHE ANGABEN
POS. NR.	PART NR.	QUANTITY				TECHNICAL DATA
POS. NO.	PIECE NO.	QUANTITEE				DONNEES TECHNIQUES
1	1308075	1		High Pressure Filter		
2	1330648	1		Plastic Manual Tube		
3	1340125	2		Chain Short Link 9.5mm x 31.5mm x 13.5mm x 14 Link		
4	1340175	1		End-Tip Channel		
5	1340310	1		Integrated Hydraulic Block		
6	CHY00006	1		Tower Block		
7	CAW00160	1		Chassis Valve Coverw		
8	1340087	1		Handwheel (Scallop Male M8 x 40mm)		
9	1340088	2		Cover Bracket		
10	1340198	1		Valve Plate		
11	1340200	1		Skid Plate		
12	1340201	1		Skid Plate Hinge		
13	1340207	1		Valve Mudguard		
14	FAS01003	8		M6 Flat Washer [DIN 125]		
15	FAS01004	9		M8 Flat Washer [DIN 125]		
16	FAS01005	15		M10 Flat Washer [DIN 125]		
17	FAS01007	14		M14 Flat Washer [DIN 125]		
18	FAS02004	2		M8 Spring Lock Washer [DIN 127]		
19	FAS02005	8		M10 Spring Lock Washer [DIN 127]		
20	FAS02007	2		M14 Spring Lock Washer [DIN 127]		
21	FAS05003	4		M6 Locknut [DIN 985]		
22	FAS05004	4		M8 Locknut [DIN 985]		
23	FAS05006	7		M10 Locknut [DIN 985]		
24	FAS05012	6		M14 Locknut [DIN 985]		
25	FAS14011	2		M10 X 25 Cup Head Square Neck Bolt [DIN 603]		
26	FAS07049	2		M6 X 16 Hex Set [DIN 933]		
27	FAS07061	2		M6 X 30 Hex Set [DIN 933]		
28	FAS07097	5		M8 X 30 Hex Set [DIN 933]		
29	FAS07142	2		M10 X 30 Hex Set [DIN 933]		
30	FAS07361	2		M14 X 25 Hex Set [DIN 933]		
31	FAS07364	6		M14 X 35 Hex Set [DIN 933]		
32	FAS11211	4		M10 X 20 Allen Head Set [DIN 912]		
33	FAS11214	6		M10 X 25 Allen Head Set [DIN 912]		
34	Z38-03	2		3/8" D Shackle		
35	Z01-24-28	1		Pipe Clamp Top Plate_Double		

1.3 1240310 INTERGRATED BLOCK



POS. NR.	TEILE NR.	STUCK	BENENNUNG	DESCRIPTION	DESIGNATION	TECHNISCHE ANGABEN
POS. NR.	PART NR.	QUANTITY				TECHNICAL DATA
POS. NO.	PIECE NO.	QUANTITEE				DONNEES TECHNIQUES
1	CVA00122	1		Relief Valve (Size 10)		
2	CVA00123	1		Relief Valve PO (Size 10)		
3	CVA00124	2		Check Valve (Size 10)		
4	CVA00125	1		Double Pilot Operated Check Valve		
5	CVA00126	1		Double Pilot Operated Check Valve		
6	CVA00128	1		Load Holding Valve		
7	CVA00132	1		Check Valve (Insert Type)		
8	CVA00135	1		Double Cetop 2 Valve		
9	CVA00136	1		Single Cetop 2 Valve		
10	CVA00137	4		Push/Pull Deutsch Coil		
11	CVA00140	2		Cartridge Spool Valve, 4 way, 3 position.		
12	CVA00141	1		Flow Restrictor with Knob.		
13	CVA00146	1		Relief Valve (Size 8)		
14	CVA00147	1		Pilot Operated Check Valve		
15	CVA00149	4		Coil Deutsch for Cartridge		
16	CVA00150	2		Poppet Cartridge NC (Single Check)		
17	CVA00151	2		Poppet Cartridge NC(Double Check)		
18	CVA00152	1		Variable Flow Restrictor/Shut Off Valve.		
19	CVA00153	1		Proportional Flow Control Valve		
20	CVA00154	1		Deutsch Proportional KUDSR Coil		
21	CVA00169	1		Valve Manifold		

1.4 CHY00006 TOWER BLOCK



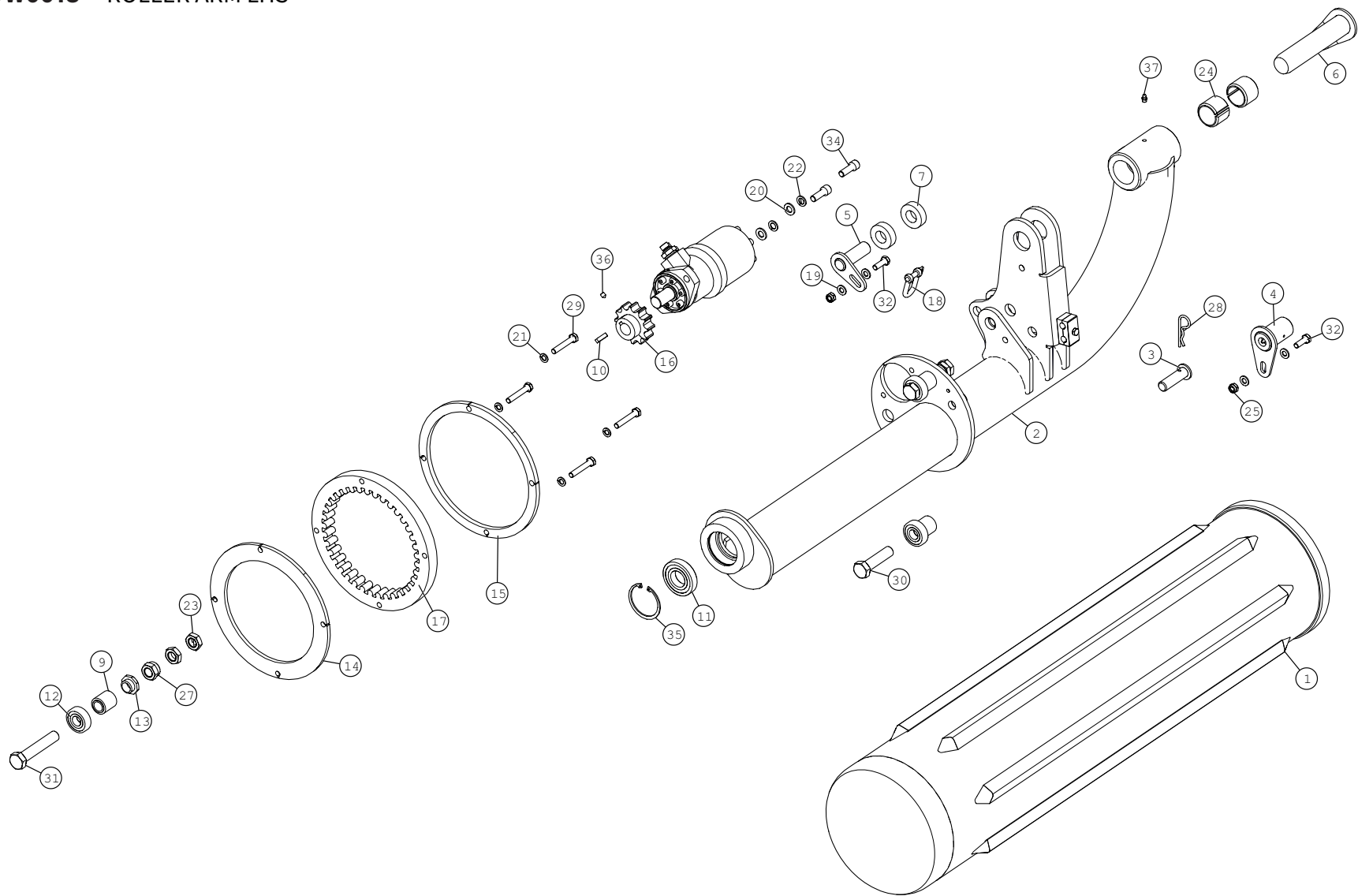
POS. NR.	TEILE NR.	STUCK	BENENNUNG	DESCRIPTION	DESIGNATION	TECHNISCHE ANGABEN
POS. NR.	PART NR.	QUANTITY				TECHNICAL DATA
POS. NO.	PIECE NO.	QUANTITEE				DONNEES TECHNIQUES
1	CVA00012	2		Cross Sign Relief Valve		
2	CVA00013	1		Counter Balance Valve		
3	CVA00014	1		Insert Check Valve		
4	CVA00076	1		Deutsch Coil Reversing Valve		
5	CVA00166	1		Tower Block Body		
6	CVA00008	4		M5 Flat Washer		
7	CVA00017	4		M5 x 30 Allen Head Bolt		

TANCO S200-V CHY00006

| TOWER BLOCK |

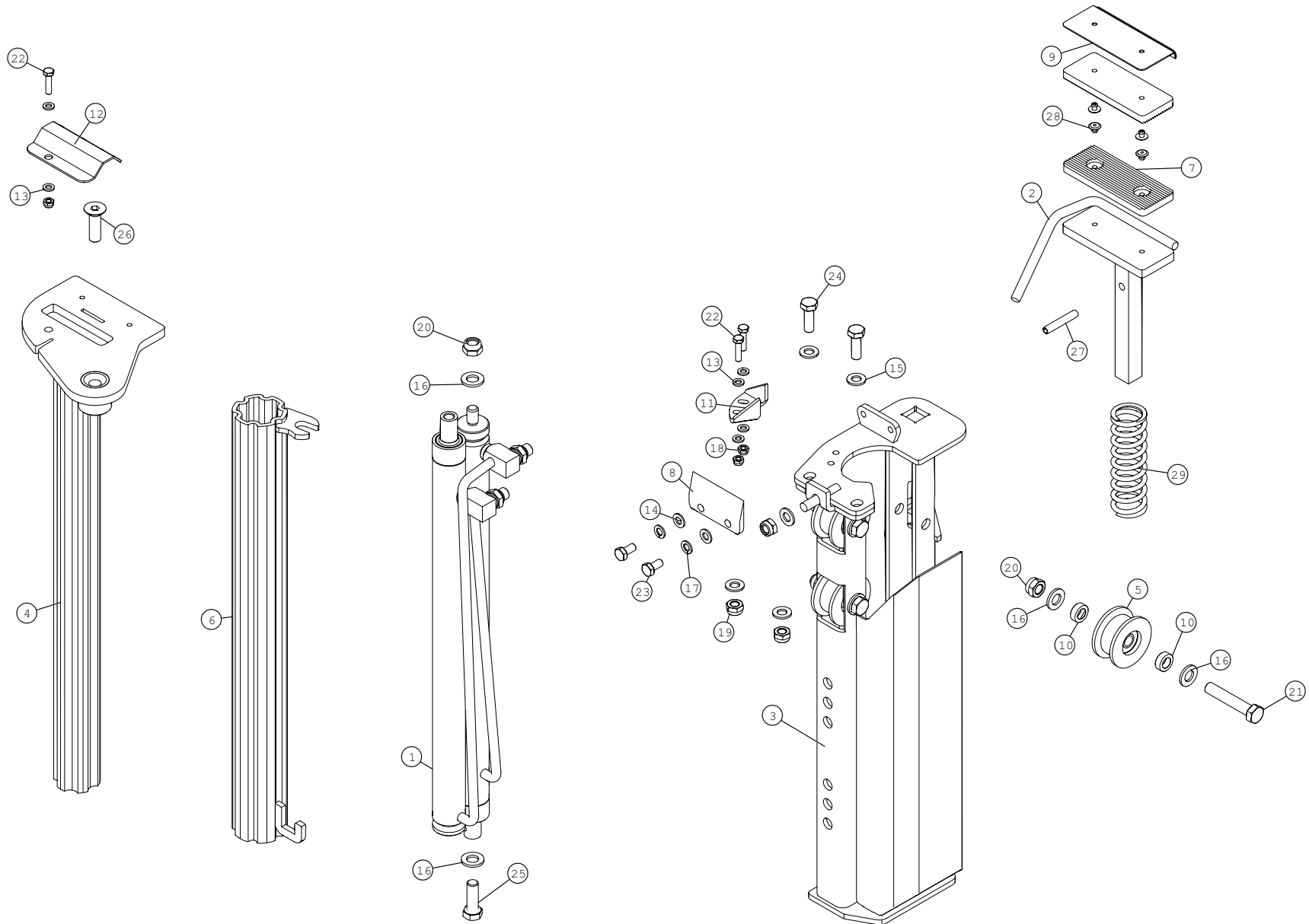
POS. NR.	TEILE NR.	STUCK	BENENNUNG	DESCRIPTION	DESIGNATION	TECHNISCHE ANGABEN
POS. NR.	PART NR.	QUANTITY				TECHNICAL DATA
POS. NO.	PIECE NO.	QUANTITEE				DONNEES TECHNIQUES
1	1330890	1		S Series Smooth Roller		
2	1340030	1		S Series Roller Arm RHS		
3	1315102	1		Roller Arm Pivot Pin		
4	1315104	1		Ram Mounting Pin		
5	1315110	1		Width Extension Pin		
6	1340050	1		Roller Arm Long Pin		
7	1315105	2		Width Ram Spacer_Long		
8	1340155	1		Roller Drive Motor		
9	34105718	4		Boss Bearing		
10	34270111	1		8mm x 7mm x 30mm Key Steel		
11	34321521	1		1726207 2RS (HMEC) Bearing		
12	34321529	4		Ball Bearing (361204 R SKF)		
13	34351006	2		Eccentric Boss		
14	34360519	1		Ring Roller Middle		
15	34360523	1		Ring Roller Shield		
16	34810042	1		12 Tooth (3/4") Sprocket		
17	34810044	1		Roller Sprocket		
18	FAS34003	1		4mm R-clip Type E [DIN 11024]		
19	Z38-03	1		3/8" D Shackle		
20	Z03-20-12	2		50 X 40 Bore X 40mm LG Ten Bus		
21	FAS01005	4		M10 Flat Washer [DIN 125]		
22	FAS01006	7		M12 Flat Washer [DIN 125]		
23	FAS02005	4		M10 Spring Lock Washer [DIN 127]		
24	FAS02006	2		M12 Spring Lock Washer [DIN 127]		
25	FAS04105	4		M20 Thin Hex Nut [DIN 936]		
26	FAS05006	2		M10 Locknut [DIN 985]		
27	FAS05009	1		M12 Locknut [DIN 985]		
28	FAS05015	4		M20 Locknut [DIN 985]		
29	FAS06130	4		M10 X 60 Hex Bolt [DIN 931]		
30	FAS06244	2		M20 X 80 Hex Bolt [DIN 931]		
31	FAS06253	2		M20 X 110 Hex Bolt [DIN 931]		
32	FAS07142	2		M10 X 30 Hex Set [DIN 933]		
33	FAS07187	1		M12 X 40 Hex Set [DIN 933]		
34	FAS11289	2		M12 X 35 Allen Head Set [DIN 912]		
35	FAS16040	1		Internal Circlip - 72 X 2.5 [DIN 472]		
36	FAS21023	1		M8 X 10 Grub Screw [DIN 914]		
37	FAS27005	3		M8 x 1.25 Grease Nipple [DIN 71412 A]		

3 SPDW0018 ROLLER ARM LHS



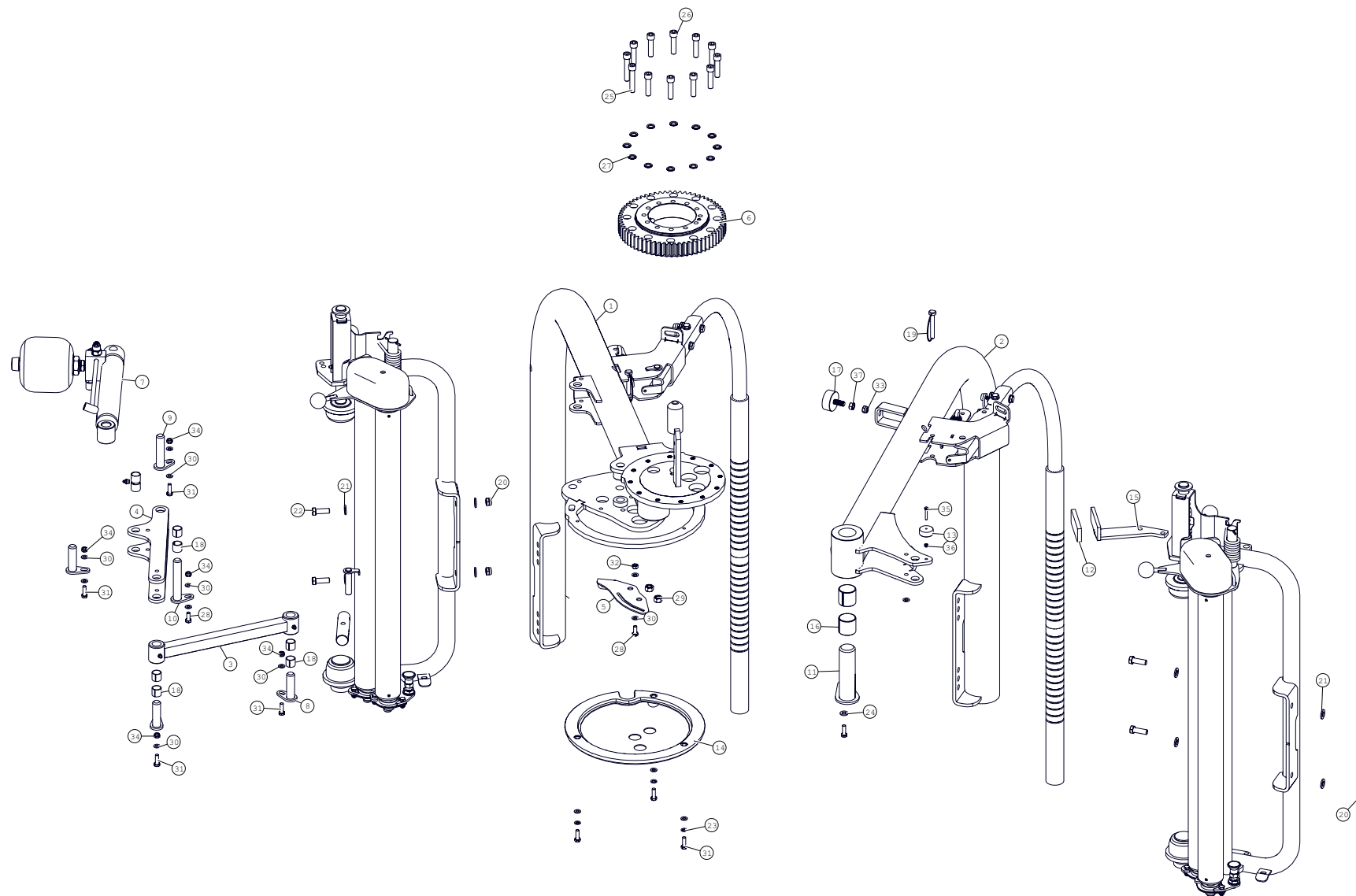
POS. NR.	TEILE NR.	STUCK	BENENNUNG	DESCRIPTION	DESIGNATION	TECHNISCHE ANGABEN
POS. NR.	PART NR.	QUANTITY				TECHNICAL DATA
POS. NO.	PIECE NO.	QUANTITEE				DONNEES TECHNIQUES
1	1330895	1		S Series Gripped Roller		
2	1340035	1		S Series Roller Arm LHS		
3	1315110	1		Width Extension Pin		
4	1315102	1		Roller Arm Pivot Pin		
5	1315104	1		Ram Mounting Pin		
6	1340050	1		Roller Arm Long Pin		
7	1315105	2		Width Ram Spacer_Long		
8	1340155	1		Roller Drive Motor		
9	34105718	4		Boss Bearing		
10	34270111	1		8mm x 7mm x 30mm Key Steel		
11	34321521	1		1726207 2RS (HMEC) Bearing		
12	34321529	4		Ball Bearing (361204 R SKF)		
13	34351006	2		Eccentric Boss		
14	34360519	1		Ring Roller Middle		
15	34360523	1		Ring Roller Shield		
16	34810042	1		12 Tooth (3/4") Sprocket		
17	34810044	1		Roller Sprocket		
18	Z38-03	1		3/8" D Shackle		
19	FAS01005	4		M10 Flat Washer [DIN 125]		
20	FAS01006	7		M12 Flat Washer [DIN 125]		
21	FAS02005	4		M10 Spring Lock Washer [DIN 127]		
22	FAS02006	2		M12 Spring Lock Washer [DIN 127]		
23	FAS04105	4		M20 Thin Hex Nut [DIN 936]		
24	Z03-20-12	2		50 X 40 Bore X 40mm LG Ten Bus		
25	FAS05006	2		M10 Locknut [DIN 985]		
26	FAS05009	1		M12 Locknut [DIN 985]		
27	FAS05015	4		M20 Locknut [DIN 985]		
28	FAS34003	1		4mm R-clip Type E [DIN 11024]		
29	FAS06130	4		M10 X 60 Hex Bolt [DIN 931]		
30	FAS06244	2		M20 X 80 Hex Bolt [DIN 931]		
31	FAS06253	2		M20 X 110 Hex Bolt [DIN 931]		
32	FAS07142	2		M10 X 30 Hex Set [DIN 933]		
33	FAS07187	1		M12 X 40 Hex Set [DIN 933]		
34	FAS11289	2		M12 X 35 Allen Head Set [DIN 912]		
35	FAS16040	1		Internal Circlip - 72 X 2.5 [DIN 472]		
36	FAS21023	1		M8 X 10 Grub Screw [DIN 914]		
37	FAS27005	3		M8 x 1.25 Grease Nipple [DIN 71412 A]		

4. SPDW0022 CUT & START ASSEMBLY



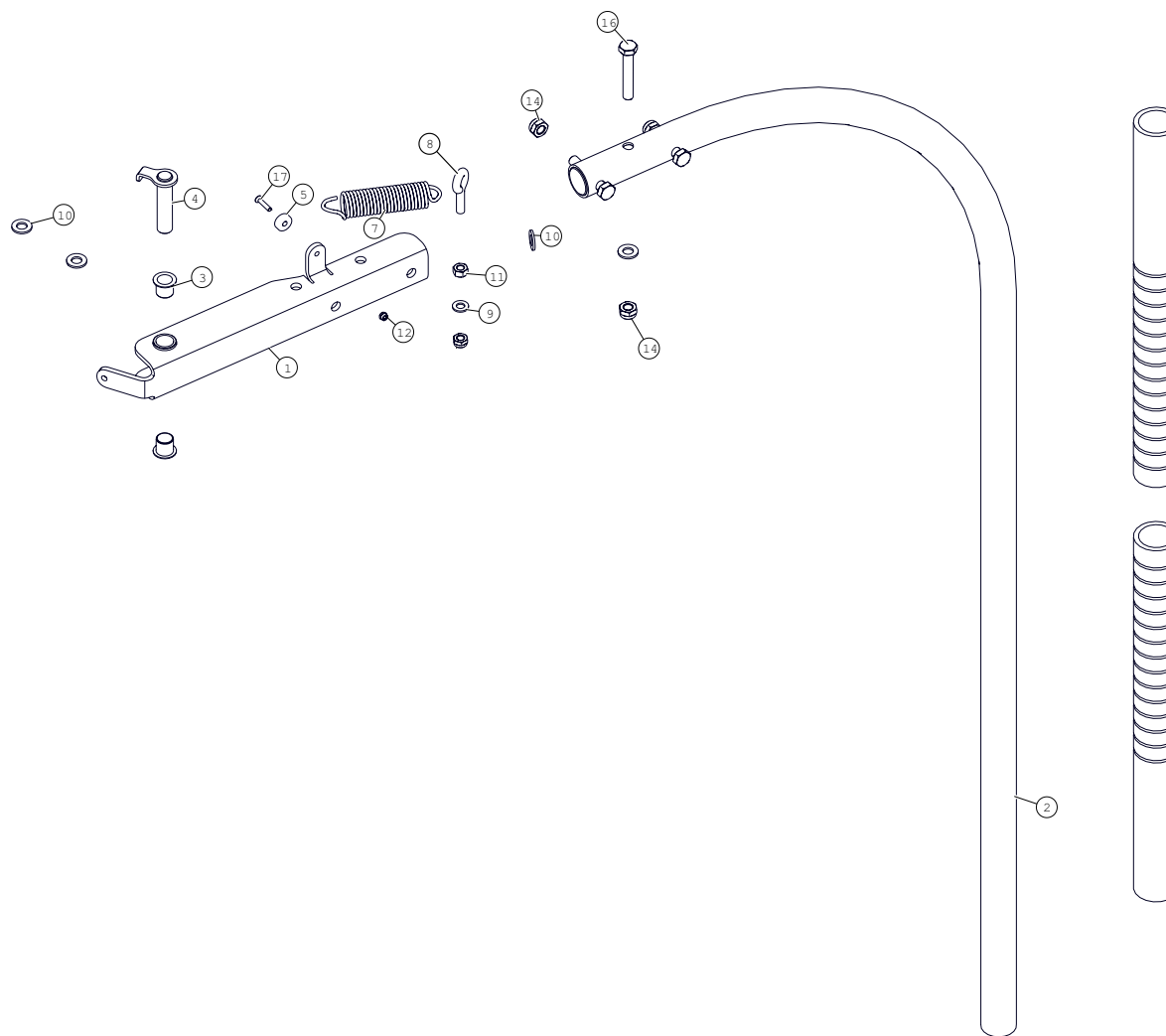
POS. NR.	TEILE NR.	STUCK	BENENNUNG	DESCRIPTION	DESIGNATION	TECHNISCHE ANGABEN
POS. NR.	PART NR.	QUANTITY				TECHNICAL DATA
POS. NO.	PIECE NO.	QUANTITEE				DONNEES TECHNIQUES
1	1330015	1		Cut & Start Cylinder		
2	1330304	1		Cut & Start Square Plunger Pin		
3	1330310	1		Cut & Start Main Frame		
4	1330320	1		Cut & Start Top Stage		
5	1330330	3		Cut & Start Wheel Complete		
6	1330340	1		Cut & Start Middle Stage		
7	1330305	2		Rubber Buffer 120 x 48mm		
8	1330307	1		Cut & Start Blade		
9	1330324	1		Gripper Mounting Profile		
10	1330325	6		Cut & Start Wheel Spacer		
11	1330345	1		Aluminium Plastic Remover		
12	CAW00047	1		C&S Blade Protector		
13	FAS01003	6		M6 Flat Washer [DIN 125]		
14	FAS01004	2		M8 Flat Washer [DIN 125]		
15	FAS01005	5		M10 Flat Washer [DIN 125]		
16	FAS01006	8		M12 Flat Washer [DIN 125]		
17	FAS02004	2		M8 Spring Lock Washer [DIN 127]		
18	FAS05003	3		M6 Locknut [DIN 985]		
19	FAS05006	3		M10 Locknut [DIN 985]		
20	FAS05009	4		M12 Locknut [DIN 985]		
21	FAS06169	3		M12 X 65 Hex Bolt [DIN 931]		
22	FAS07058	3		M6 X 25 Hex Set [DIN 933]		
23	FAS07088	2		M8 X 16 Hex Set [DIN 933]		
24	FAS07142	2		M10 X 30 Hex Set [DIN 933]		
25	FAS07184	1		M12 X 35 Hex Set [DIN 933]		
26	FAS13107	1		M12 X 40 Countersunk Allen Head Set [DIN 7991]		
27	FAS19059	1		M8 X 45 Roll Pin [DIN 1481]		
28	Z03-25-05	4		4.8 x 16 (VLA4816) Pop Rivet L		
29	Z07-49	1		Compression Spring Plated 120mm		

5. SPDW0092 TRI ARM ASSEMBLY



POS. NR.	TEILE NR.	STUCK	BENENNUNG	DESCRIPTION	DESIGNATION	TECHNISCHE ANGABEN
POS. NR.	PART NR.	QUANTITY				TECHNICAL DATA
POS. NO.	PIECE NO.	QUANTITEE				DONNEES TECHNIQUES
1	AWW00064	1		Main Wrapping Arm		
2	AWW00065	1		Primary Slave Wrapping Arm		
3	1330440	1		S Series Folding Linkage		
4	1314400	1		Fixed Linkage Assembly		
5	1340027	1		Unfold Sensor Bracket		
6	1330051	1		Slew Ring 65T Counter Bored		
7	1518170	1		Folding Cylinder		
8	1315407	3		Linkage / Ram Pin		
9	1315405	1		Linkage / Ram Pin		
10	1315403	1		Main Arm Linkage Pin		
11	1330420	1		Wrap Arm Pivot Pin		
12	1314502	1		100 x 40mm Rubber Pad		
13	1309201	1		RDS Sensor Magnet		
14	CAW00113	1		Wrap Cable Protection Disc		
15	CAW00114	1		Safety Arm Stop		
16	Z03-20-27 DU	2		40mm ID, 40mm Long		
17	Z40-28	1		50mm x 21 Type D Buffer		
18	Z03-20-32	6		DX Bush 20mm ID X 20mm Long		
19	Z03-22-07	1		3/8" Curved Linch Pin		
20	FAS05009	4		M12 Locknut [DIN 985]		
21	FAS01006	8		M12 Flat Washer [DIN 125]		
22	FAS07184	4		M12 X 35 Hex Set [DIN 933]		
23	FAS02004	3		M8 Spring Lock Washer [DIN 127]		
24	FAS01005	6		M10 Flat Washer [DIN 125]		
25	FAS12246	2		M12x1.25 X 65 Allen Head Set [DIN 912]		
26	FAS12231	10		M12x1.25 X 50 Allen Head Set [DIN 912]		
27	FAS30106	12		M12 Nordlock Washers (Pairs)		
28	FAS07091	2		M8 X 20 Hex Set [DIN 933]		
29	FAS04012	2		M12x1.25 Plain Hex Nut [DIN 934]		
30	FAS01004	17		M8 Flat Washer [DIN 125]		
31	FAS07094	9		M8 X 25 Hex Set [DIN 933]		
32	FAS04005	3		M8 Plain Hex Nut [DIN 934]		
33	FAS05006	10		M10 Locknut [DIN 985]		
34	FAS05004	15		M8 Locknut [DIN 985]		
35	FAS06019	1		M5 X 30 Hex Bolt [DIN 931]		
36	FAS05002	1		M5 Locknut [DIN 985]		
37	FAS04009	1		M10 Plain Hex Nut [DIN 934]		

5.1 SPDW0093_02 SAFETY ARM ASSEMBLY

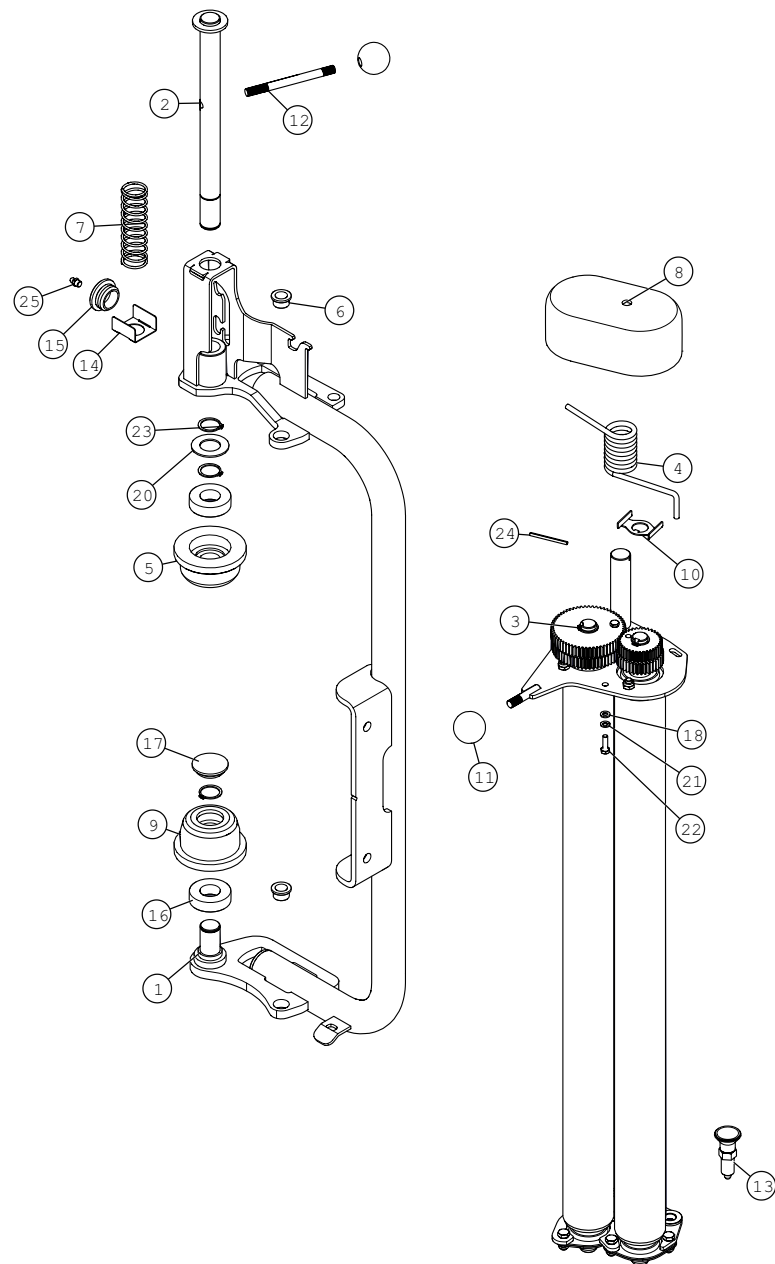


POS. NR. POS. NR. POS. NO.	TEILE NR. PART NR. PIECE NO.	STUCK QUANTITY QUANTITEE	BENENNUNG	DESCRIPTION	DESIGNATION	TECHNISCHE ANGABEN TECHNICAL DATA DONNEES TECHNIQUES
1	AWW00019	1		Safety Arm Bracket		
2	CAW00039	1		Safety Arm Assembly		
3	CAW00031	2		IGUS Safety Arm Pivot Bush		
4	CAW00035	1		Safety Arm Pivot Pin		
5	1309206	1		Red Magnet		
6	1330043	2		Safety Arm Foam Cover		
7	34430300	1		Pull Spring (26 x 3.25 x 12)		
8	FAS36002	1		M8 x 30mm Turned Eye Bolt		
9	FAS01004	1		M8 Flat Washer [DIN 125]		
10	FAS01005	4		M10 Flat Washer [DIN 125]		
11	FAS04005	1		M8 Plain Hex Nut [DIN 934]		
12	FAS05001	1		M4 Locknut [DIN 985]		
13	FAS05004	1		M8 Locknut [DIN 985]		
14	FAS05006	3		M10 Locknut [DIN 985]		
15	FAS06127	2		M10 X 55 Hex Bolt [DIN 931]		
16	FAS06130	1		M10 X 60 Hex Bolt [DIN 931]		
17	FAS13009	1		M4 X 20 Countersunk Allen Head Set [DIN 7991]		

TANCO S200-V SPDW0093_02

| SAFETY ARM ASSEMBLY |

6. SPDW0010 DISPENSER ARM ASSEMBLY

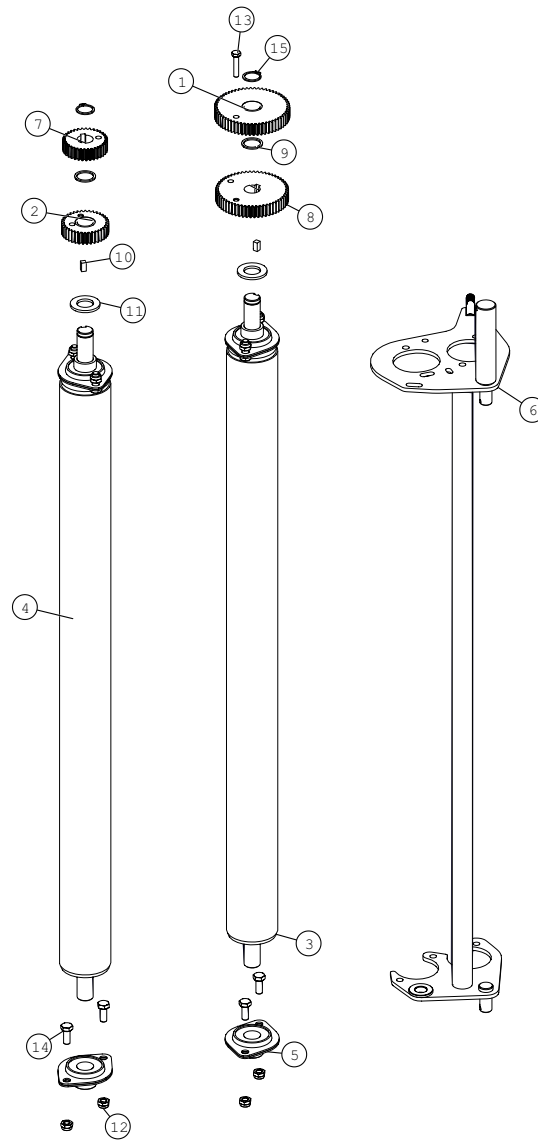


POS. NR.	TEILE NR.	STUCK	BENENNUNG	DESCRIPTION	DESIGNATION	TECHNISCHE ANGABEN
POS. NR.	PART NR.	QUANTITY				TECHNICAL DATA
POS. NO.	PIECE NO.	QUANTITEE				DONNEES TECHNIQUES
1	AWW00013	1		Dispenser Frame		
2	CAW00042	1		Top Cone Mounting Pin		
3	CAW00046	1		Dispenser Insert Assembly		
4	1115109	1		Dispenser Torsion Spring		
5	1115110	1		Upper Cone		
6	1115111	2		Dispenser Insert Pivot Bush		
7	1305021	1		Compression Spring		
8	1305125	1		Dispenser Gearbox Cover TDG01		
9	1405006	1		Bottom Nylon Cone		
10	2011066	1		A200 Film Break Bracket		
11	CAW00043	2		Dispenser Ball Handle		
12	CAW00044	1		Cone Rod		
13	CAW00045	1		Dispenser Index Plunger		
14	CAW00066	1		Spring Retainer Profile		
15	CSW00002	2		42mm OD Tube Cap		
16	Z06-AWRB	2		Ball Bearing (6205-ZZ LDK)		
17	Z32-15F	1		1 1/4" NB Tube Insert (37mm)		
18	FAS01003	2		M6 Flat Washer [DIN 125]		
19	FAS01007	2		M14 Flat Washer [DIN 125]		
20	FAS01017	1		M25 Flat Washer [Light Duty]		
21	FAS02003	2		M6 Spring Lock Washer [DIN 127]		
22	FAS07055	2		M6 X 20 Hex Set [DIN 933]		
23	FAS17013	3		External Circlip - 25 X 1.2 [DIN 471]		
24	FAS19022	3		M4 X 50 Roll Pin [DIN 1481]		
25	FAS27005	1		M8 x 1.25 Grease Nipple [DIN 71412 A]		

TANCO S200-V SPDW0010

| DISPENSER ASSEMBLY |

6.1 CAW00046 DISPENSER INSERT

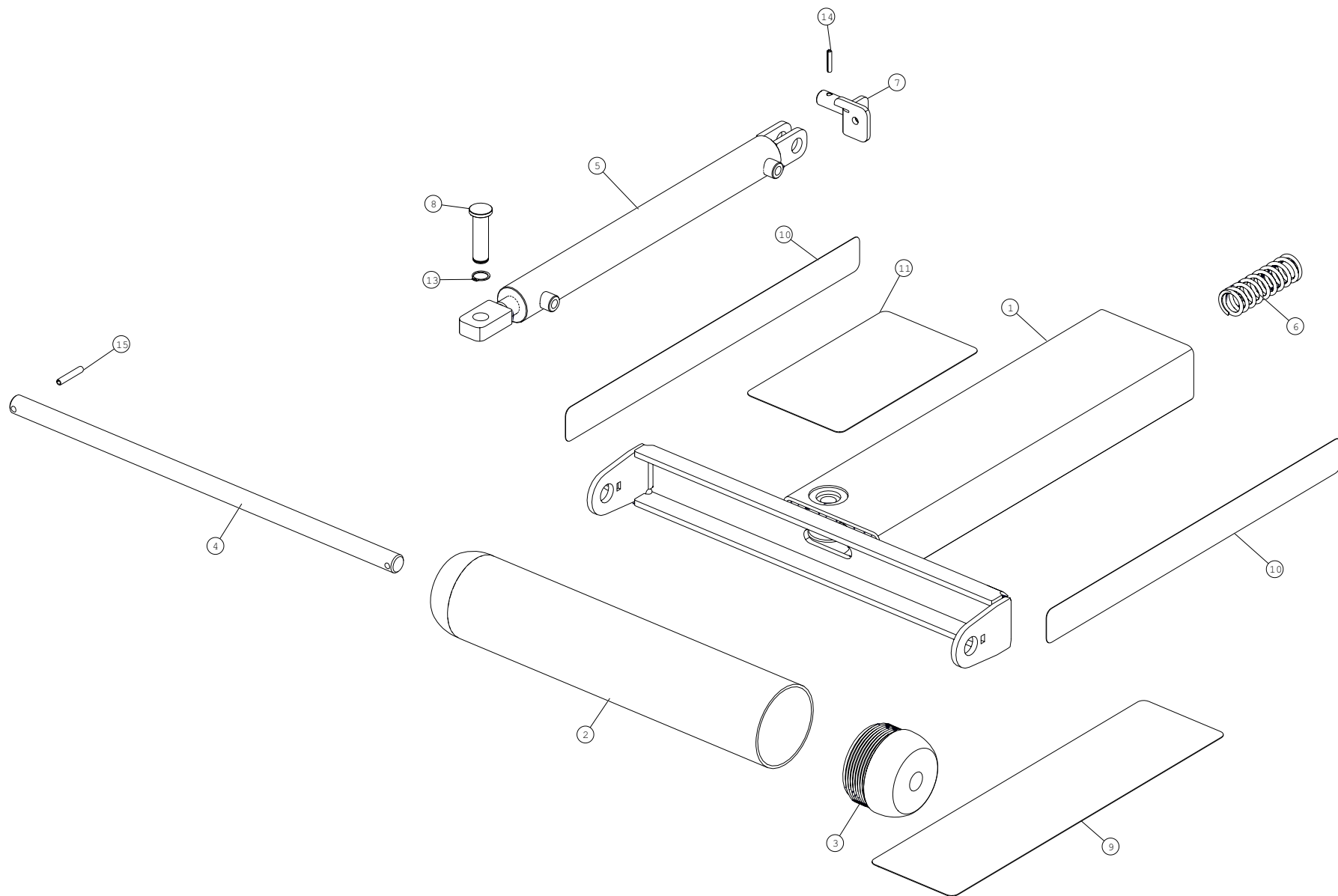


POS. NR. POS. NR. POS. NO.	TEILE NR. PART NR. PIECE NO.	STUCK QUANTITY QUANTITEE	BENENNUNG	DESCRIPTION	DESIGNATION	TECHNISCHE ANGABEN TECHNICAL DATA DONNEES TECHNIQUES
1	1305101	1		60T x 16mm 70% Dispenser Gear		
2	1305104	1		37T x 16mm 55% Dispenser Gear		
3	1305120	1		Inner Roller		
4	1305121	1		Outer Roller		
5	1305122	4		RHP Bearing SLFL20A (204)		
6	AWW00026	1		Dispenser Insert Frame		
7	1305102	1		35T x 16mm 70% Dispenser Gear		
8	1305103	1		55% Disp. Gear (58T x 16mm)		
9	1305115	2		Copper Washer		
10	1305123	2		6mm Key Steel x 12mm Long		
11	FAS01010	2		M20 Flat Washer [DIN 125]		
12	FAS05004	8		M8 Locknut [DIN 985]		
13	FAS06040	1		M6 X 30 Hex Bolt [DIN 931]		
14	FAS07091	8		M8 X 20 Hex Set [DIN 933]		
15	FAS17009	2		External Circlip - 20 X 1.2 [DIN 471]		

TANCO S200 -V CAW00046

| DISPENSER INSERT |

7. SPDW0030 END TIP ASSEMBLY

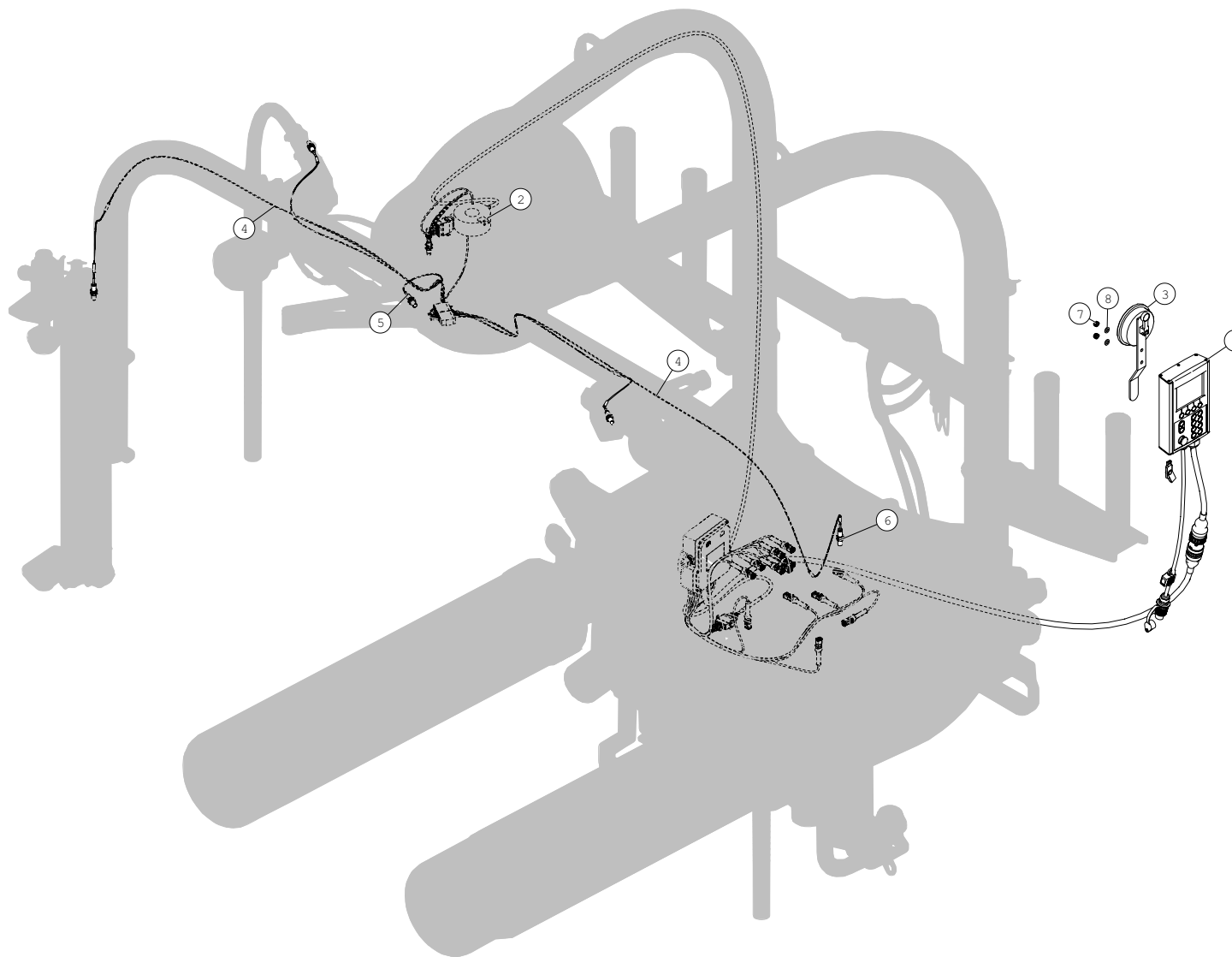


POS. NR. POS. NR. POS. NO.	TEILE NR. PART NR. PIECE NO.	STUCK QUANTITY QUANTITEE	BENENNUNG	DESCRIPTION	DESIGNATION	TECHNISCHE ANGABEN TECHNICAL DATA DONNEES TECHNIQUES
1	1340185	1		End-Tip Frame		
2	1340183	1		End-Tip Roller Tube		
3	1100156	2		Roller End Cap		
4	1340182	1		End-Tip Roller Shaft		
5	1340205	1		S Series Sliding End-tip Cylinder		
6	Z07-49	1		Compression Spring Plated 120mm		
7	1340190	1		Cylinder/Spring Mounting Pin		
8	1340195	1		Cylinder Rod Pin		
9	1340202	1		IGUS Tape Bottom		
10	1340203	2		IGUS Tape Side		
11	1340204	1		IGUS Tape Top		
12	FAS17009	1		External Circlip - 20 X 1.2 [DIN 471]		
13	FAS19033	1		M6 X 30 Roll Pin [DIN 1481]		
14	FAS19059	1		M8 X 45 Roll Pin [DIN 1481]		

TANCO S200-V SPDW0030

| END TIP ASSEMBLY |

8. SPDW0104 ELECTRIC COMPONENTS

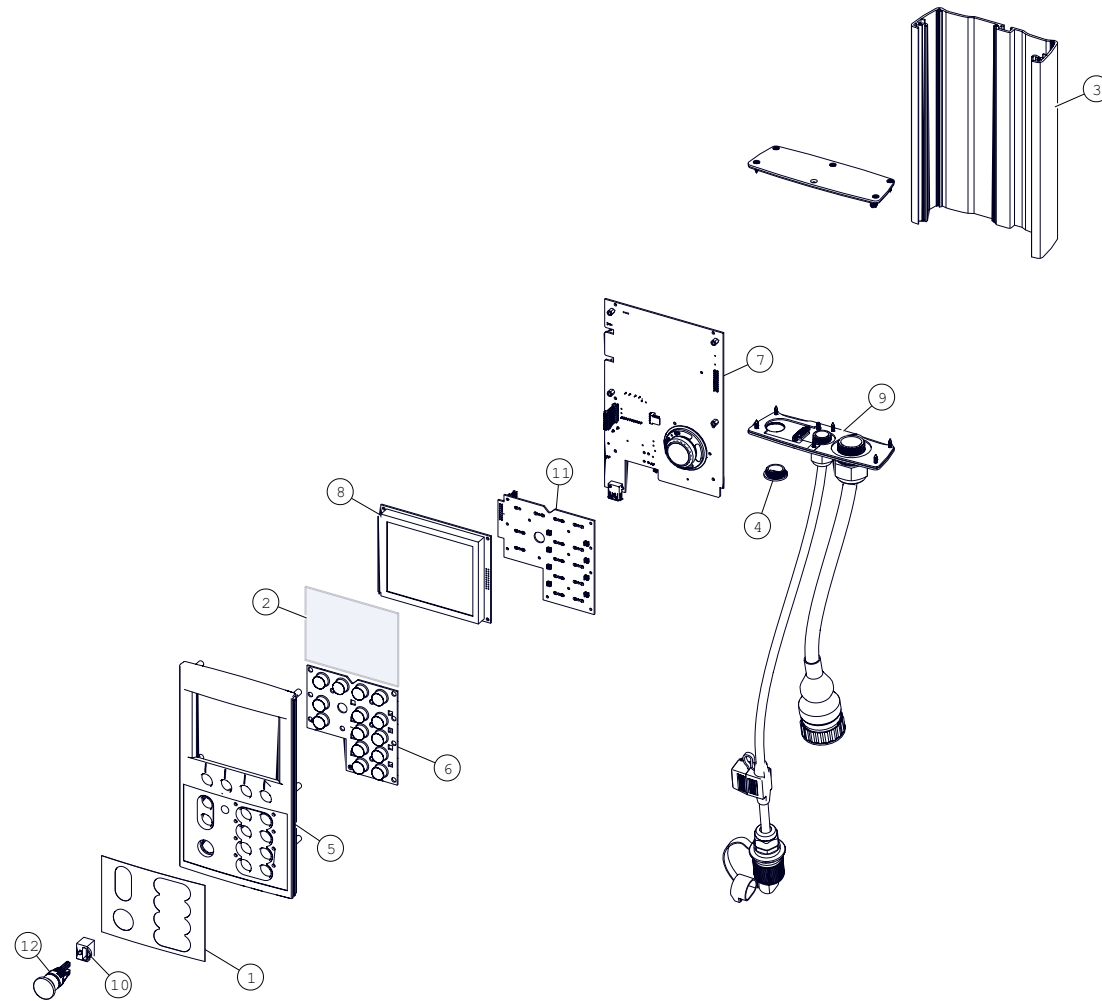


POS. NR. POS. NR. POS. NO.	TEILE NR. PART NR. PIECE NO.	STUCK QUANTITY QUANTITEE	BENENNUNG	DESCRIPTION	DESIGNATION	TECHNISCHE ANGABEN TECHNICAL DATA DONNEES TECHNIQUES
1	CKC00098	1		Expert Plus 2 Headunit (S Series)		
2	1330055	1		6 Way Electrical Slip Ring		
3	1309023	1		Suction Cup Assembly		
4	CEL00031	2		M12 Reed Type Sesnor (2M Cable)		
5	CEL00032	3		M12 Reed Type Sesnor (1.1M Cable)		
6	CEL00033	1		M12 Reed Type Sesnor		
7	FAS05004	2		M8 Locknut [DIN 985]		
8	FAS01004	2		M8 Flat Washer [DIN 125]		

TANCO S200-V SPDW00104

| ELECTRIC ASSEMBLY |

8.1 CKC00098 Expert Plus 2 Headunit

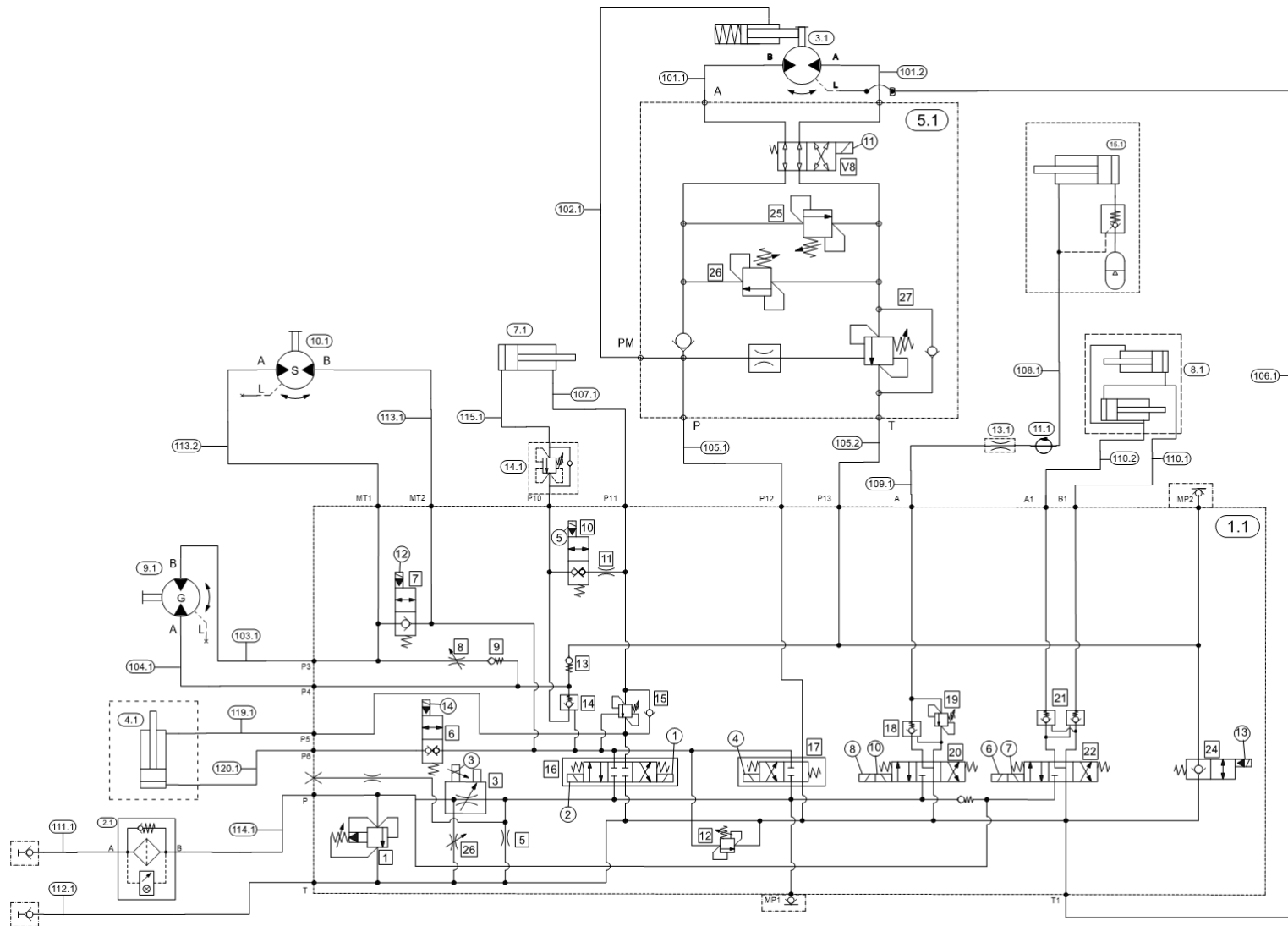


POS. NR. POS. NR. POS. NO.	TEILE NR. PART NR. PIECE NO.	STUCK QUANTITY QUANTITEE	BENENNUNG	DESCRIPTION	DESIGNATION	TECHNISCHE ANGABEN TECHNICAL DATA DONNEES TECHNIQUES
1	CDE00173	1		S Series EP2 Overlay		
2	CKC00102	1		Expert Plus Instrument Glass		
3	CKC00132	1		Expert Plus Back Plate		
4	CKC00133	1		M20 Blank Plug		
5	CKC00134	1		Grey Face w/Display Back Mount		
6	CKC00137	1		Rubber Button Pad		
7	CKC00136	1		Main EP2 PCB		
8	CKC00101	1		Expsrt Plus Display		
9	CKC00130	1		S Series Controller Entry Plate		
10	CKC00131	1		SW Block		
11	CKC00135	1		Expert Plus Button PCB		
12	1209005	1		Emergency Stop Switch		

TANCO S300-V CKC00098

| ELECTRIC ASSEMBLY |

9. HYDRAULIC COMPONENTS



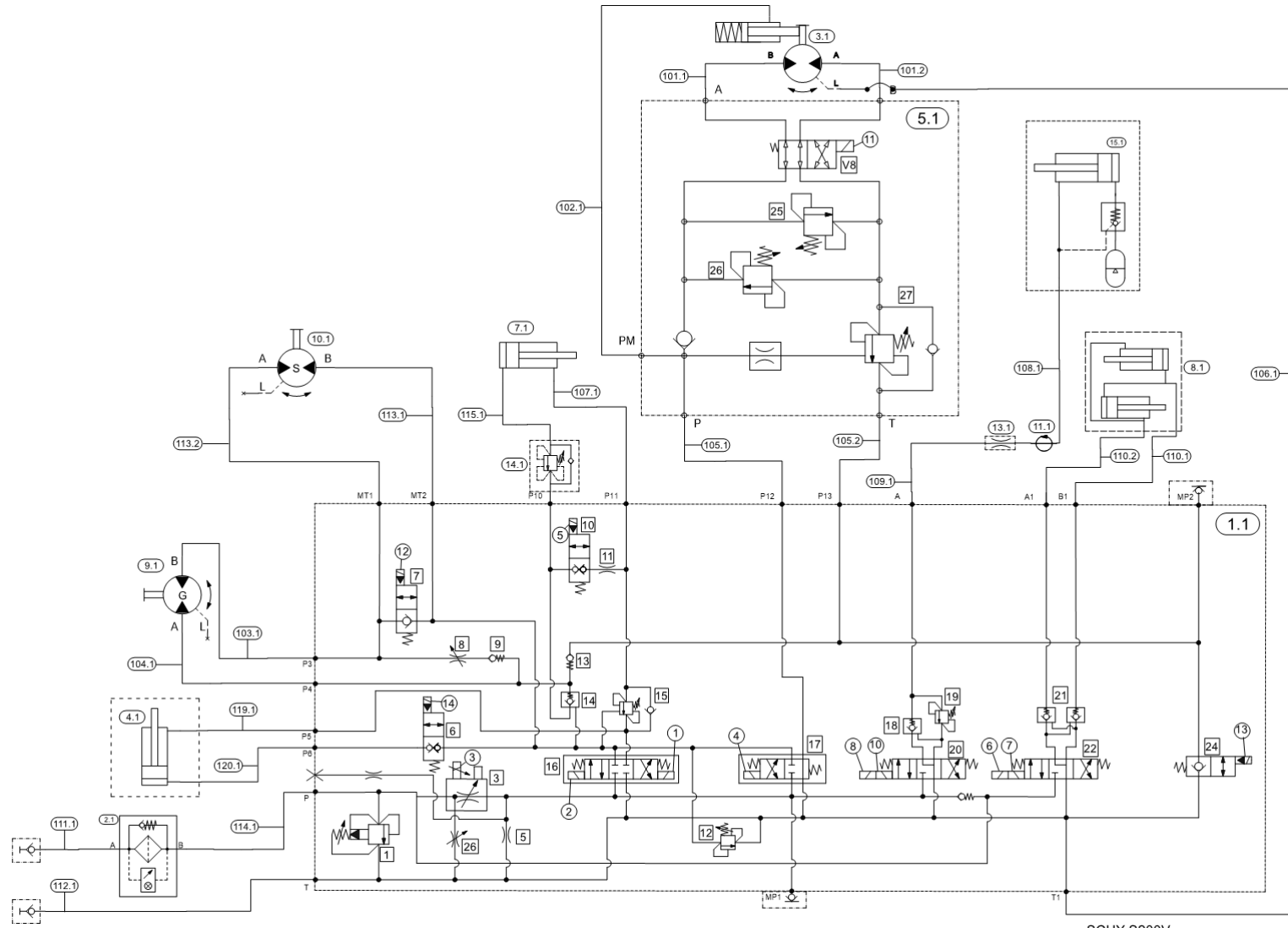
SCHY-S200V Bosch Rexroth Scheme Editor

Hydraulic Components

Pos.	Part No.	Designation	Qty
1	1340310	Control Valve	1
1.1	CVA00135		1
1.2	CVA00136	Tower Section	1
1.3	CVA00140	Unfold Section	1
1.4	CVA00140	Cut and Start Section	1
1.5	CVA00150	2/2 Directional poppet valve solenoid operated normally open	1
1.6	CVA00153	Flow control valve pressure compensated	1
1.7	CVA00123	Pressure relief valve	1
1.8	CVA00128	Counterbalance valve	1
1.9	CVA00151	2/2 Directional poppet valve solenoid operated normally closed	1
1.1	CVA00122	Pressure relief valve	1
1.11	CVA00125	Check valve pilot to open	1
1.12	CVA00124	Check valve	1
1.13	CVA00124	Check valve	1
1.14	CVA00151	2/2 Directional poppet valve solenoid operated normally closed	1
1.15	CVA00150	2/2 Directional poppet valve solenoid operated normally open	1
1.16	CVA00126	Check valve pilot to open	1

Pos.	Part No.	Designation	Qty
1.17	CVA00146	Pressure relief valve	1
1.18	CVA00147	Check valve pilot to open	1
2	CHY00006	Tower Block	1
2.1	CVA00013	Break Valve	1
2.2	CVA00012	Cross Sign Relief Valve Reverse	1
2.3	CVA00012	Cross Sign Relief Valve Forward	1
2.4	CVA00076	Reversing Valve	1
2.5	CVA00014	Insert Check Valve	1
3	Z01-03-10-A8SQ	Sequence valve	1
4	1340155	Fixed displacement motor	2
5	1518170	Folding Cylinder	1
6	Z01-03-39	Restrictor	1
7	1308075	High pressure filter	1
8	1330070	Fixed displacement motor	1
9	1330099	Rotary coupling	1
10	1340205	End Tip Cylinder	1
11	1330015	Cut & Start Cylinder	1
12	1318250	Width Cylinder	1

9.1 HYDRAULIC HOSES



Hydraulic Hoses

Pos.	Part No.	Designation	Qty
H1	FHA00053	0300_2100_0300_0390_00	1
H2	FHA00054	0300_2000_0300_0300_00	1
H3a	FHA00055	0100_2200_0100_01BJ_00	1
H3b	FHA00055	0100_2200_0100_01BJ_00	1
H4	FHA00056	0100_2100_0100_0190_00	1
H5	FHA00029	0200_550_0200_0290_00	1
H6	FHA00030	0200_300_0290_0290_13	1
H7a	FHA00031	0200_550_0200_0290_00	1
H7B	FHA00031	0200_550_0200_0290_00	1
H8a	FHA00032	0200_800_02BJ_02BJ_10	1
H8b	FHA00032	0200_800_02BJ_02BJ_10	1
H9a	FHA00033	0200_400_0200_0290_00	1
H9b	FHA00033	0200_400_0200_0290_00	1
H10a	FHA00034	0200_500_02BJ_02BJ_10	1
H10b	FHA00034	0200_500_02BJ_02BJ_10	1
H11a	FHA00035	0200_700_02B90_0200_00	1
H11b	FHA00035	0200_700_02B90_0200_00	1
H12	FHA00036	0200_400_0200_0200_00	1
H13a	FHA00037	0100_1200_0100_0190_00	1
H13b	FHA00037	0100_1200_0100_0190_00	1
H14	FHA00038	0100_5400_0190_0190_11	1

Pos.	Part No.	Designation	Qty
H15	FHA00039	0100_5000_0190_0190_12	1
H16a	FHA00040	0200_5400_0290_0200_00	1
H16b	FHA00040	0200_5400_0290_0200_00	1
H17	FHA00043	0100_5000_0100_0190_00	1
H18a	FHA00044	0200_400_02B90_0200_00	1
H18b	FHA00044	0200_400_02B90_0200_00	1
H18c	FHA00044	0200_400_02B90_0200_00	1
H18d	FHA00044	0200_400_02B90_0200_00	1
H19a	FHA00045	0200_1800_0290_0590_10	1
H19b	FHA00045	0200_1800_0290_0590_10	1
H20a	FHA00046	0200_2300_0290_0590_06	1
H20b	FHA00046	0200_2300_0290_0590_06	1
H21a	FHA00047	0100_500_0590_0190_10	1
H21b	FHA00047	0100_500_0590_0190_10	1
H22a	FHA00048	0100_500_0590_0190_06	1
H22b	FHA00048	0100_500_0590_0190_06	1
H23a	FHA00049	0100_1500_01BJ_01BJ_13	1
H23b	FHA00049	0100_1500_01BJ_01BJ_13	1
H24	FHA00041	0100_900_0190_0100_00	1

TANCO



Contact

Address

Tanco Autowrap Ltd.
Royal Oak Road,
Bagenaltown
Co. Carlow
Ireland

Phone & Online

Phone: + 353 59 972 1336
Email: info@itanco.com
Website: www.tanco.global
Support: tanco.zendesk.com