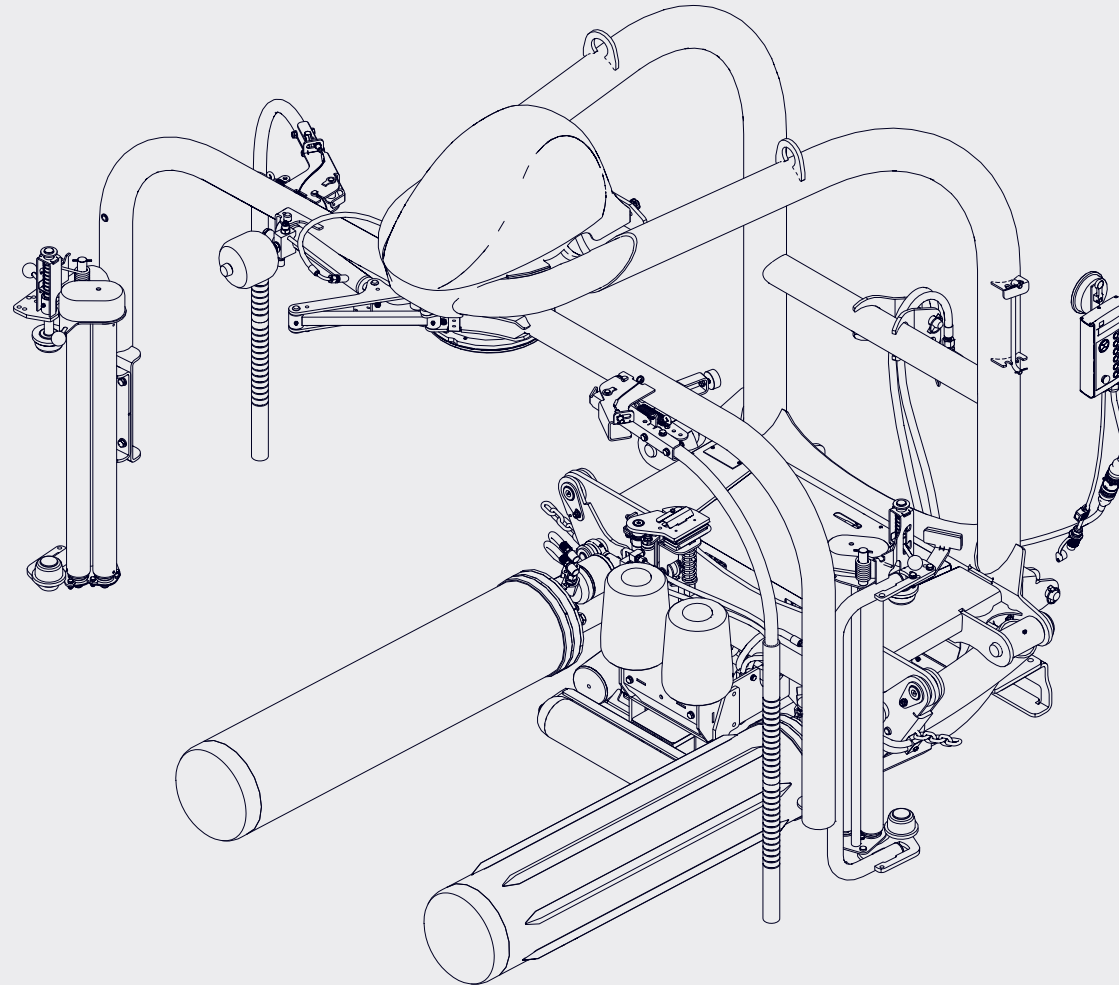




Experts in your field



AUTOWRAP

S200 VA

SPARE PARTS MANUAL

V.006\_EN

**Tanco Autowrap Ltd.**

Royal Oak Road,  
Bagenaltown  
Co. Carlow  
Ireland

Phone: + 353 59 972 1336  
Email: [info@itanco.com](mailto:info@itanco.com)  
Website: [www.tanco.global](http://www.tanco.global)  
Support: [tanco.zendesk.com](https://tanco.zendesk.com)



**TANCO**

# TANCO

## S200-VA Variwrap

---

### S200 -V A Spare Parts List

We recommend that when you require spare parts you use only original parts. When ordering spare parts please follow the following steps;

1. Identify the part you require using the detailed drawings.
2. Once you have identified the part you require reference the item number relating to the part on the item list where you will find the part number and description of the part you require. You will be required to give the complete part no and description when ordering your part(s).
3. When ordering you must give the Serial Number and Model Number of the machine.
4. All orders must go through your local Tanco Dealer, and must be either faxed or e-mailed to Tanco Autowrap.

### S200 -VA Ersatzteilliste

Wir empfehlen, nur Originalteile als Ersatzteile zu verwenden. Befolgen Sie bei der Bestellung von Ersatzteilen bitte die folgenden Schritte:

1. Stellen Sie anhand der detaillierten Zeichnungen fest, welches Teil Sie benötigen.
2. Haben Sie das benötigte Teil identifiziert, geben Sie die Teilnummer auf dem Bestellschein an, mit dem Sie das/die Ersatzteil/e bestellen.
3. Geben Sie bei jeder Bestellung die Serien- und die Modellnummer Ihrer Maschine an.
4. Alle Bestellungen müssen über Ihren Tanco-Händler vor Ort erfolgen und müssen Tanco Autowrap als Fax oder E-Mail erreichen.

### Liste des pièces de rechange S200-VA

Si vous avez besoin de pièces de rechange, nous vous recommandons de n'utiliser que des pièces garanties d'origine. Pour toute commande de pièces de rechange, veuillez suivre les étapes suivantes :

1. Identifiez la pièce dont vous avez besoin à l'aide des schémas détaillés.
  2. Après avoir identifié la pièce dont vous avez besoin, relevez son numéro de référence dans la liste des pièces dans laquelle vous trouverez également la description de la pièce requise. Lors de la commande, vous devez indiquer la référence et la description complètes de la pièce.
  3. Lors de la commande, vous devrez mentionner le numéro de série et le numéro de modèle de la machine.
  4. Vous devez effectuer toutes les commandes auprès de votre revendeur Tanco local et les faxer ou les envoyer par e-mail à Tanco Autowrap.
-

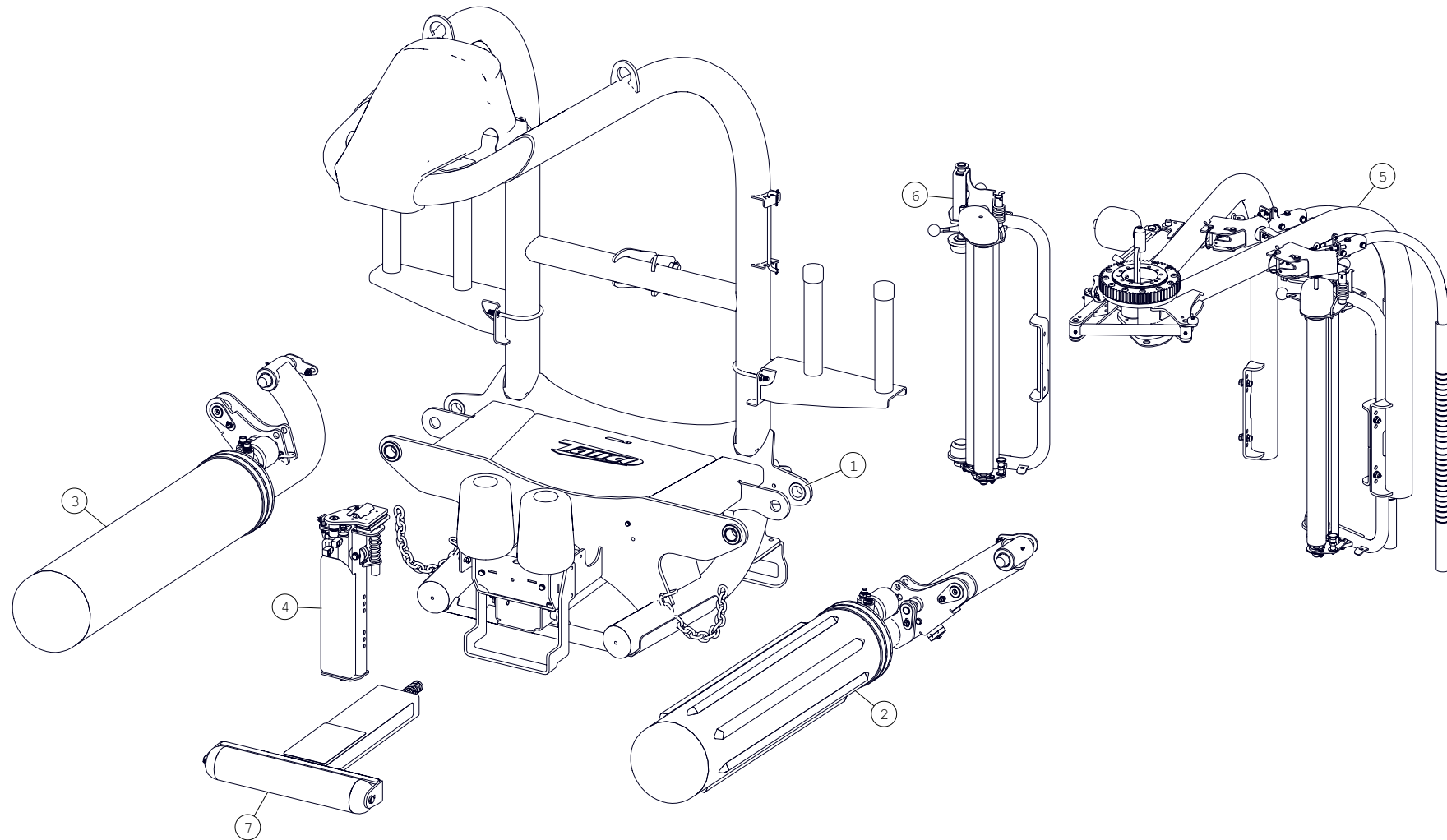
# TABLE OF CONTENTS

---

OVERVIEW . . . . .	4
CHASSIS ASSEMBLY . . . . .	6
BALE SUPPORT ROLLER . . . . .	8
CHASSIS ASSEMBLY . . . . .	.10
CONTROL VALVE . . . . .	.12
TOWER BLOCK . . . . .	.14
ROLLER ARM RHS . . . . .	.16
ROLLER ARM LHS . . . . .	.18
CUT & START ASSEMBLY . . . . .	.20
TRI ARM ASSEMBLY . . . . .	.22
SAFETY ARM ASSEMBLY . . . . .	.24
DISPENSER ASSEMBLY . . . . .	.26
DISPENSER INSERT . . . . .	.28
END TIP ASSEMBLY . . . . .	.30
ELECTRICAL COMPONENTS . . . . .	.32
HYDRAULIC COMPONENTS . . . . .	.34
HYDRAULIC HOSES . . . . .	.36

---

## S200-VA OVERVIEW

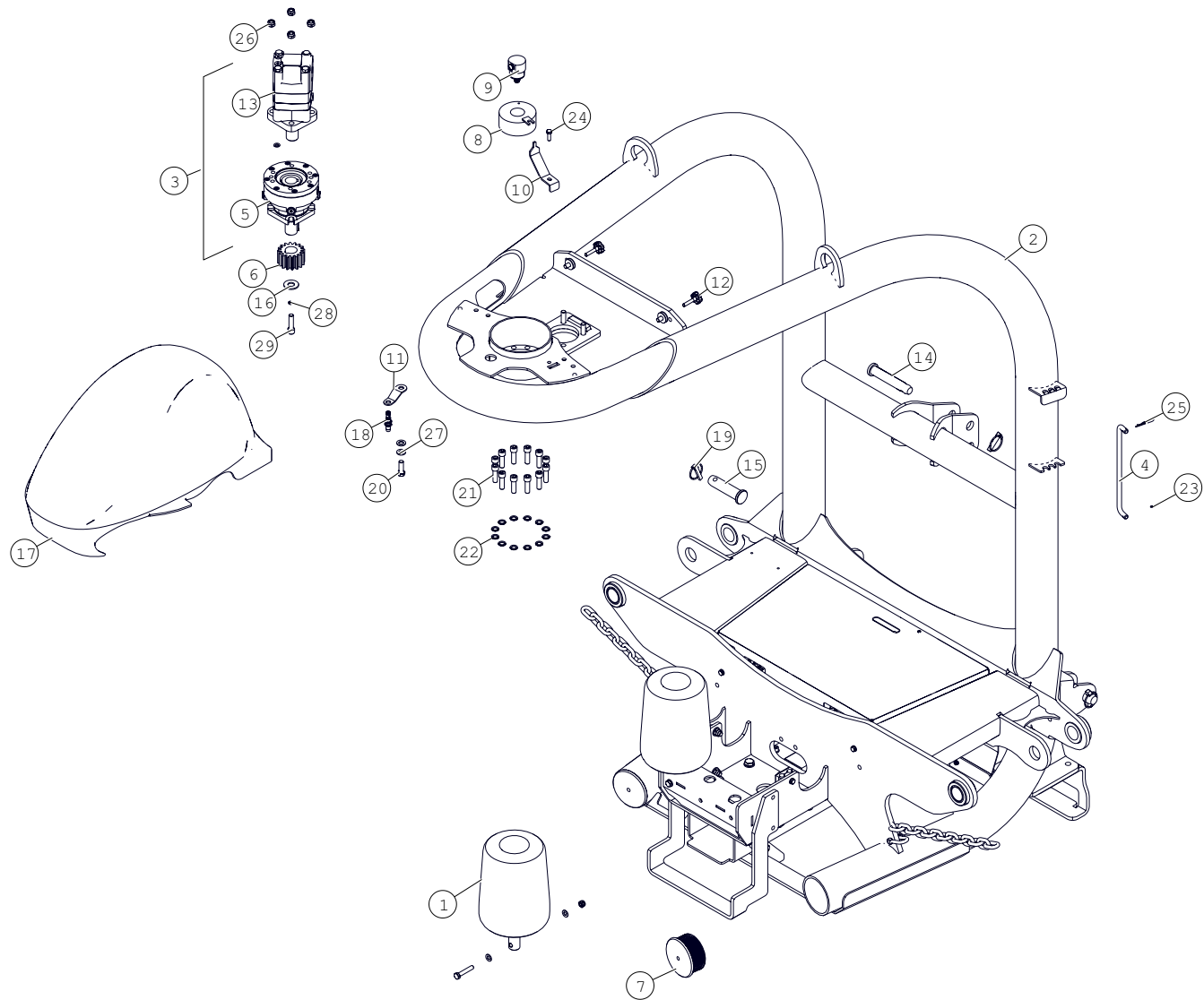


POS. NR.	TEILE NR.	STUCK	BENENNUNG	DESCRIPTION	DESIGNATION
POS. NR.	PART NR.	QUANTITY			
POS. NO.	PIECE NO.	QUANTITEE			
1	SPDW0025	1		VariWrap Chassis Assembly	Pg
2	SPDW0018	1		S Series Roller Arm LHS	Pg
3	SPDW0017	1		S Series Roller Arm RHS	Pg
4	SPDW0022	1		VariWrap Cut & Start Assembly	Pg
5	SPDW0093	1		Twin Arm Assembly	Pg
6	SPDW0010	1		Dispenser Assembly	Pg
7	SPDW0030	1		VariWrap End Tip Assembly	Pg

TANCO S200-V

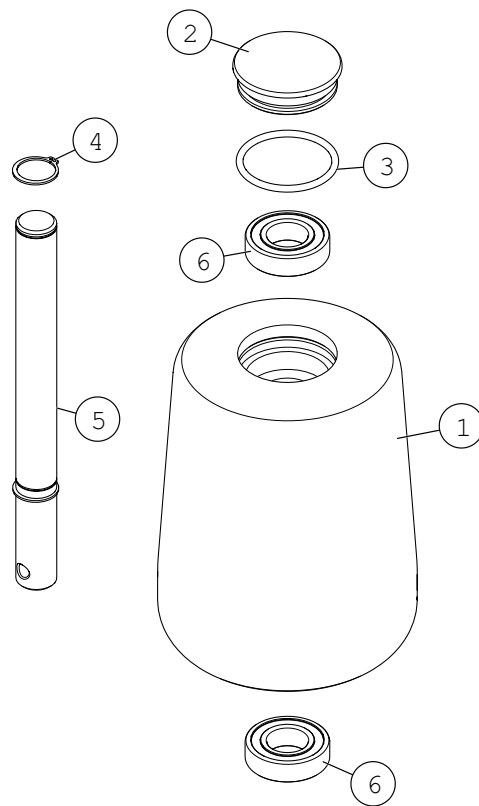
|OVERVIEW|

# 1. SPDW0027 CHASSIS ASSEMBLY



POS. NR.	TEILE NR.	STUCK	BENENNUNG	DESCRIPTION	DESIGNATION	TECHNISCHE ANGABEN
POS. NR.	PART NR.	QUANTITY				TECHNICAL DATA
POS. NO.	PIECE NO.	QUANTITEE				DONNEES TECHNIQUES
1	SPDW0026	2		Bale Support Roller Assembly		
2	1340000	1		S Series Chassis		
3	1330070	1		GMSY-200 Hydraulic Motor w/Brake		
4	1330418	1		Vari/Auto Arm Parking Bracket		
5	1330072	1		BK 430 Brake Unit		
6	1330060	1		16T Pinion		
7	1330778	2		Ø114 Heavy Duty Black Plastic Cap		
8	1330055	1		6 Way Electrical Slip Ring		
9	1330099	1		Hydraulic Rotary Coupling		
10	1340216	1		Slip Ring Bracket		
11	1330636	1		Rotation Sensor Bracket		
12	1340087	3		Handwheel (Scallop Male M8 x 40mm)		
13	1330071	1		GMSY-200 Hydraulic Motor		
14	34105635	1		Top Link Pin		
15	34105638	2		1 1/8" Lower Link Pin		
16	CAW00037	1		16T Pinion		
17	CAW00131	1		Motor Cover		
18	CEL00003	1		M12 Inductive Proximity Sensor		
19	Z03-22-06	3		7/16" Dia Linch Pin		
20	FAS07184	1		M12 X 35 Hex Set [DIN 933]		
21	FAS12225	12		M12x1.25 X 40 Allen Head Set [DIN 912]		
22	FAS30106	12		M12 Nordlock Washers (Pairs)		
23	FAS18030	1		Split Pin 3.2 x 28 [DIN 94]		
24	FAS07094	1		M8 X 25 Hex Set [DIN 933]		
25	FAS34001	1		2mm R-clip Type E [DIN 11024]		
26	FAS05009	4		M12 Locknut [DIN 985]		
27	FAS01006	2		M12 Flat Washer [DIN 125]		
28	FAS02004	1		M8 Spring Lock Washer [DIN 127]		
29	FAS11296	1		M12 X 45 Allen Head Set [DIN 912]		

## 1.1 SPDW0026 BALE SUPPORT ROLLER

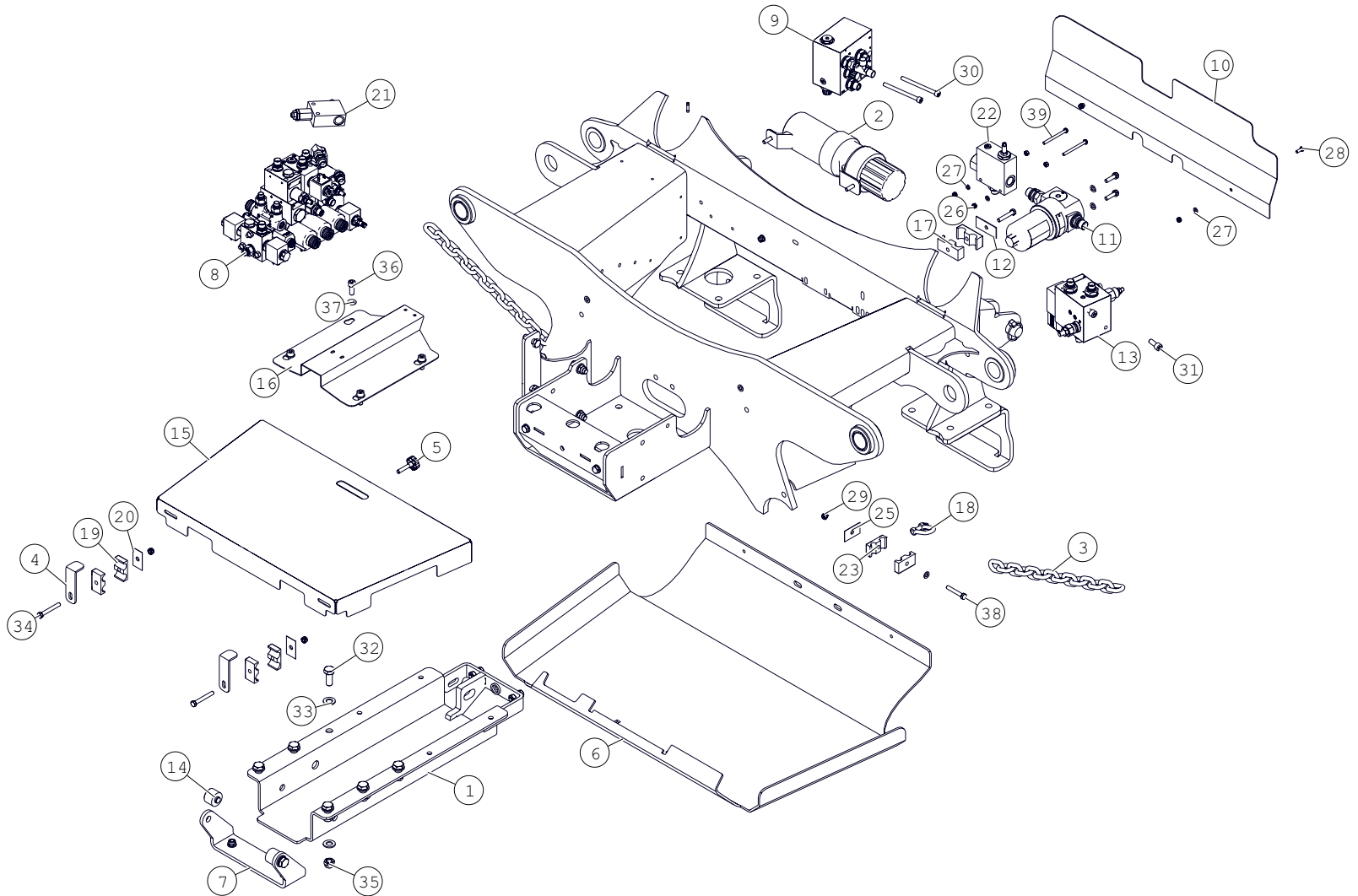


POS. NR.	TEILE NR.	STUCK	BENENNUNG	DESCRIPTION	DESIGNATION
POS. NR.	PART NR.	QUANTITY			
POS. NO.	PIECE NO.	QUANTITEE			
1	1340209_1	1		S Series Cone Roller	Pg
2	1340208	1		S Series Cone Roller Cap	Pg
3	1340215	1		O Ring ID 62 x 5mm	Pg
4	FAS17017	2		External Circlip - 30 X 1.5 [DIN 471]	Pg
5	1315108	1		Plastic Roller Shaft	Pg
6	34320508	2		Bearing 6206 2RS	Pg

Tanco S200-VA SPDW0026

[BALE SUPPORT ROLLER]

## 1.2 SPDW0025-02 CHASSIS ASSEMBLY



POS. NR. POS. NR. POS. NO.	TEILE NR. PART NR. PIECE NO.	STUCK QUANTITY QUANTITEE	BENENNUNG	DESCRIPTION	DESIGNATION	TECHNISCHE ANGABEN TECHNICAL DATA DONNEES TECHNIQUES
1	1340175	1		End-Tip Channel		
2	1330648	1		Plastic Manual Tube		
3	1340125	2		Chain Short Link 9.5mm x 31.5mm x 13.5mm x 14 Link		
4	1340088	2		S Series Chassis Cover Bracket		
5	1340087	1		Handwheel (Scallop Male M8 x 40mm)		
6	1340200	1		Skid Plate		
7	1340201	1		Skid Plate Hinge		
8	1318100	1		1320 Control Valve		
9	1308350	1		Assembly Block		
10	1340207	1		Valve Mudguard Section block		
11	1308075	1		High Pressure Filter		
12	34260117	1		M20 Pipe Clamp Top Plate_Double		
13	1308180	1		Tower Block		
14	1340179	2		Skid plate mounting boss		
15	CAW00160	1		Chassis Valve Cover		
16	CAW00100	1		Valve Mounting Plate		
17	CSW00026	2		20mm Double Pipe Clamp		
18	Z38-03	2		3/8" D Shackle		
19	Z01-24-2618	4		M18 Double Pipe Clamp		
20	Z01-24-28	2		Pipe Clamp Top Plate_Double		
21	Z01-03-10-A8SQ	1		Sequence Overcentre Inline Val		
22	Z01-03-10-A7L	1		1/2" Priority Flow Regulator		
23	Z01-24-31	1		M14 Double Pipe Clamp		
24	Z01-24-31	1		M14 Double Pipe Clamp		
25	Z01-24-28	1		Pipe Clamp Top Plate_Double		
26	FAS05003	2		M6 Locknut [DIN 985]		
27	FAS01003	6		M6 Flat Washer [DIN 125]		
28	FAS07049	2		M6 X 16 Hex Set [DIN 933]		
29	FAS05004	3		M8 Locknut [DIN 985]		
30	FAS11361	2		M8 X 100 Allen Head Set [DIN 912]		
31	FAS11214	2		M10 X 25 Allen Head Set [DIN 912]		
32	FAS07364	6		M14 X 35 Hex Set [DIN 933]		
33	FAS01007	12		M14 Flat Washer [DIN 125]		
34	FAS06097	2		M8 X 60 Hex Bolt [DIN 931]		
35	FAS05012	6		M14 Locknut [DIN 985]		
36	FAS11214	4		M10 X 25 Allen Head Set [DIN 912]		
37	FAS01005	4		M10 Flat Washer [DIN 125]		
38	FAS06091	1		M8 X 50 Hex Bolt [DIN 931]		
39	FAS06061	2		M6 X 70 Hex Bolt [DIN 931]		

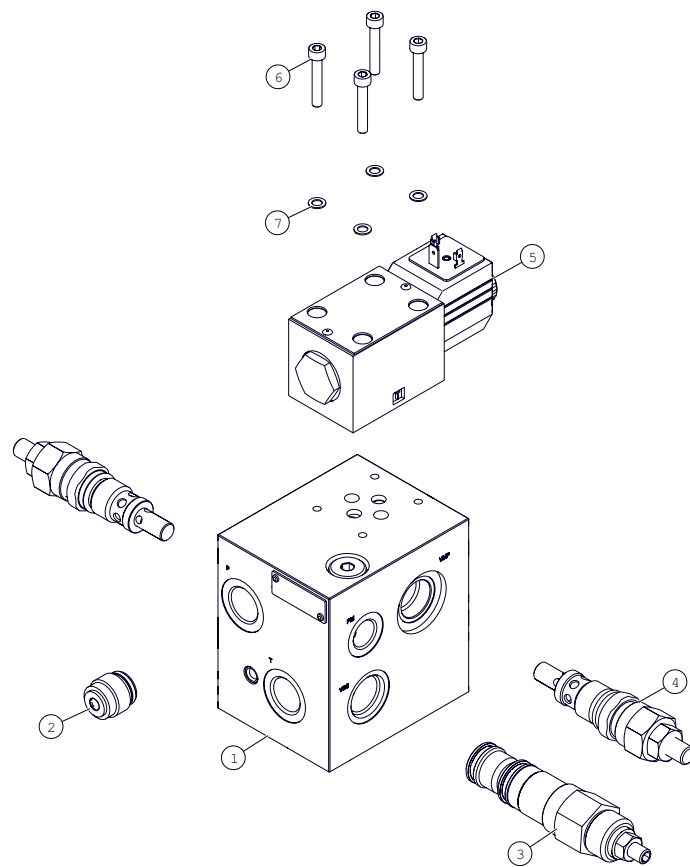


POS. NR. POS. NR. POS. NO.	TEILE NR. PART NR. PIECE NO.	STUCK QUANTITY QUANTITEE	BENENNUNG	DESCRIPTION	DESIGNATION	TECHNISCHE ANGABEN TECHNICAL DATA DONNEES TECHNIQUES
1	CVA00088	1		One Direction ED2 with Hershman Coil		
2	CVA00086	1		Stackable Element Single Overcentre Valve		
3	CVA00090	1		Stackable Element Two Speed Valve Hershman Coil		
4	CVA00072	1		EDB Valve Section With Double Pilot Operated Check & Hershman Coil		
5	CVA00047	1		Pressure Relief Valve		
6	CVA00088	1		One Direction ED2 with Hershman Coil		
7	CVA00212	1		ED2 Valve Section Closed Centre		
8	CVA00056	1		Pilot Operated Check Valve		
9	CVA00211	1		Relief Valve VSBN-10A		
10	CVA00087	1		Stackable Element Pressure Relief Element		
11	CVA00050	3		M8 Plain Hex Nut		
12	CVA00083	3		TIRANTE M8 L245.0		
13	CVA00081	1		Stackable Elements End Tip Block		
14	CVA00004	1		Coil Square Hershman		
15	CVA00066	4		M5 x 120 Allen Head Bolt		
16	CVA00082	4		M5 x 90 Allen Head Bolt		

TANCO S200-VA 1340310

| Control Valve|

# 1.4 1308180 TOWER BLOCK



POS. NR.	TEILE NR.	STUCK	BENENNUNG	DESCRIPTION	DESIGNATION	TECHNISCHE ANGABEN
POS. NR.	PART NR.	QUANTITY				TECHNICAL DATA
POS. NO.	PIECE NO.	QUANTITEE				DONNEES TECHNIQUES
1	CVA00166	1		Tower Block Body		
2	CVA00014	1		Insert Check Valve		
3	CVA00013	1		Counter Balance Valve		
4	CVA00012	2		Cross Sign Relief Valve		
5	CVA00118	1		Hershman Coil Reversing Valve		
6	CVA00017	4		M5 x 30 Allen Head Bolt		
7	CVA00008	4		M5 Flat Washer		

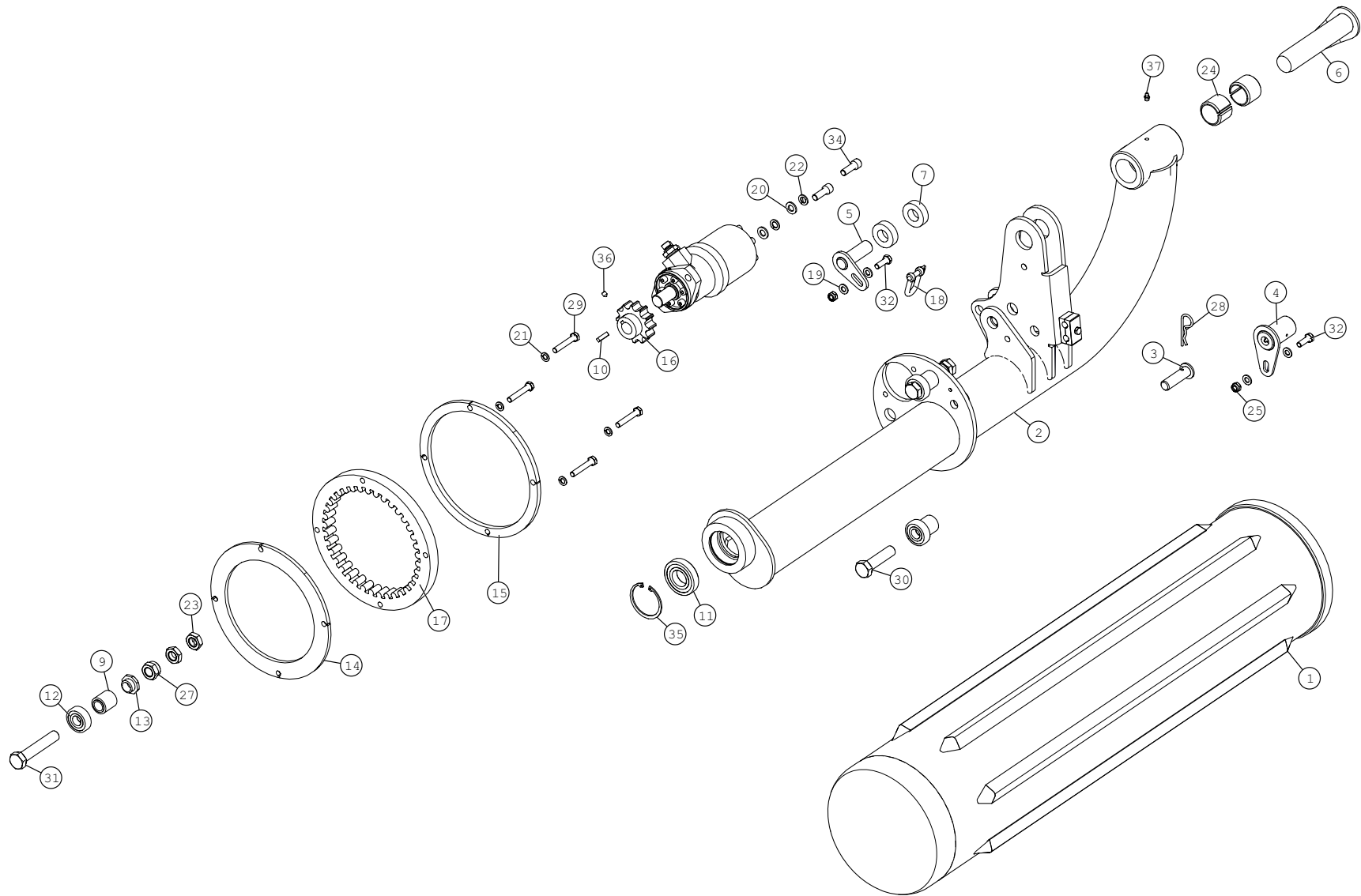
TANCO S200-VA 1308180

| TOWER BLOCK |



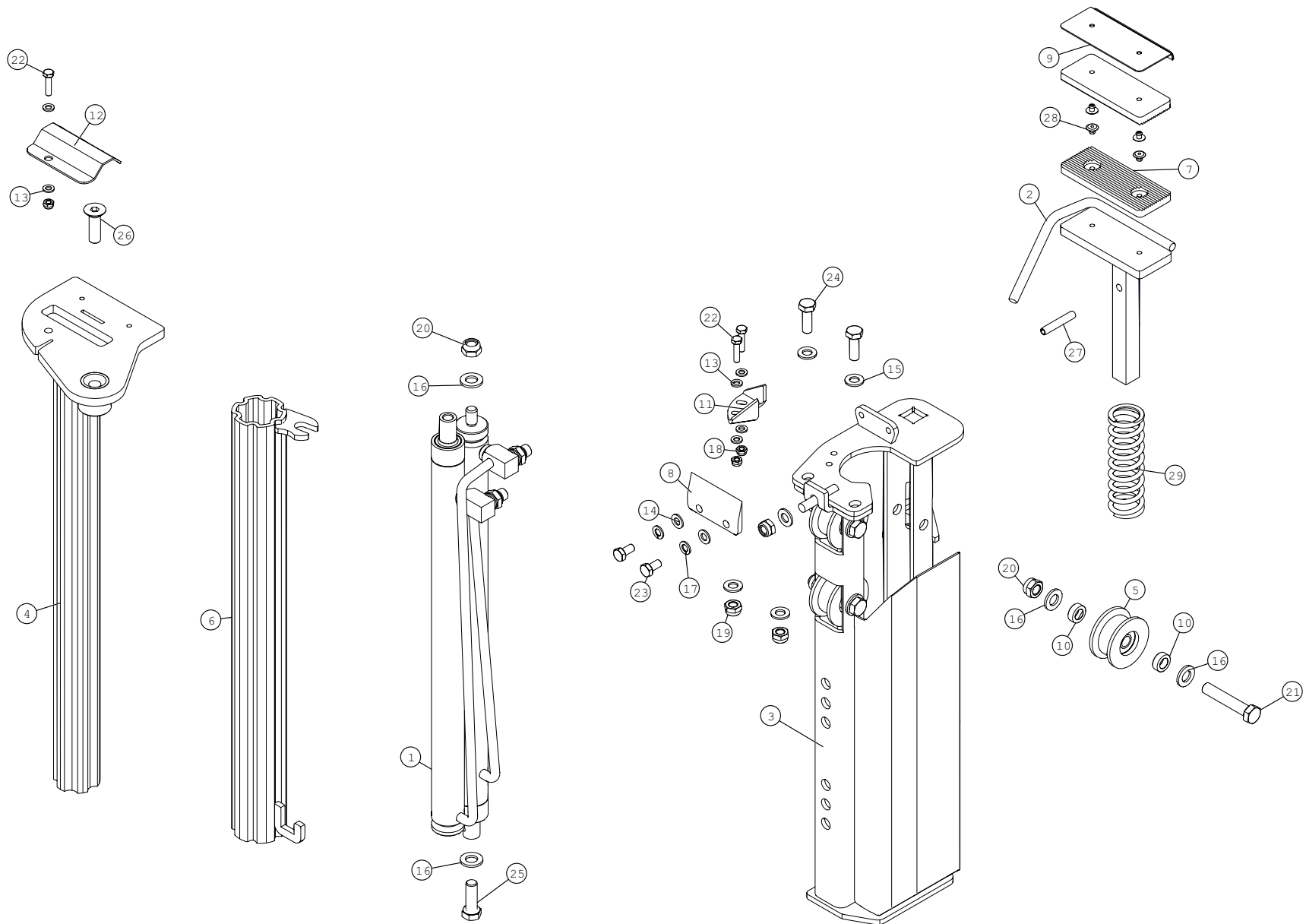
POS. NR.	TEILE NR.	STUCK	BENENNUNG	DESCRIPTION	DESIGNATION	TECHNISCHE ANGABEN
POS. NR.	PART NR.	QUANTITY				TECHNICAL DATA
POS. NO.	PIECE NO.	QUANTITEE				DONNEES TECHNIQUES
1	1330890	1		S Series Smooth Roller		
2	1340030	1		S Series Roller Arm RHS		
3	1315102	1		Roller Arm Pivot Pin		
4	1315104	1		Ram Mounting Pin		
5	1315110	1		Width Extension Pin		
6	1340050	1		Roller Arm Long Pin		
7	1315105	2		Width Ram Spacer_Long		
8	1340155	1		Roller Drive Motor		
9	34105718	4		Boss Bearing		
10	34270111	1		8mm x 7mm x 30mm Key Steel		
11	34321521	1		1726207 2RS (HMEC) Bearing		
12	34321529	4		Ball Bearing (361204 R SKF)		
13	34351006	2		Eccentric Boss		
14	34360519	1		Ring Roller Middle		
15	34360523	1		Ring Roller Shield		
16	34810042	1		12 Tooth (3/4") Sprocket		
17	34810044	1		Roller Sprocket		
18	FAS34003	1		4mm R-clip Type E [DIN 11024]		
19	Z38-03	1		3/8" D Shackle		
20	Z03-20-12	2		50 X 40 Bore X 40mm LG Ten Bus		
21	FAS01005	4		M10 Flat Washer [DIN 125]		
22	FAS01006	7		M12 Flat Washer [DIN 125]		
23	FAS02005	4		M10 Spring Lock Washer [DIN 127]		
24	FAS02006	2		M12 Spring Lock Washer [DIN 127]		
25	FAS04105	4		M20 Thin Hex Nut [DIN 936]		
26	FAS05006	2		M10 Locknut [DIN 985]		
27	FAS05009	1		M12 Locknut [DIN 985]		
28	FAS05015	4		M20 Locknut [DIN 985]		
29	FAS06130	4		M10 X 60 Hex Bolt [DIN 931]		
30	FAS06244	2		M20 X 80 Hex Bolt [DIN 931]		
31	FAS06253	2		M20 X 110 Hex Bolt [DIN 931]		
32	FAS07142	2		M10 X 30 Hex Set [DIN 933]		
33	FAS07187	1		M12 X 40 Hex Set [DIN 933]		
34	FAS11289	2		M12 X 35 Allen Head Set [DIN 912]		
35	FAS16040	1		Internal Circlip - 72 X 2.5 [DIN 472]		
3W	FAS21023	1		M8 X 10 Grub Screw [DIN 914]		
37	FAS27005	3		M8 x 1.25 Grease Nipple [DIN 71412 A]		

### 3. SPDW0018 ROLLER ARM LHS



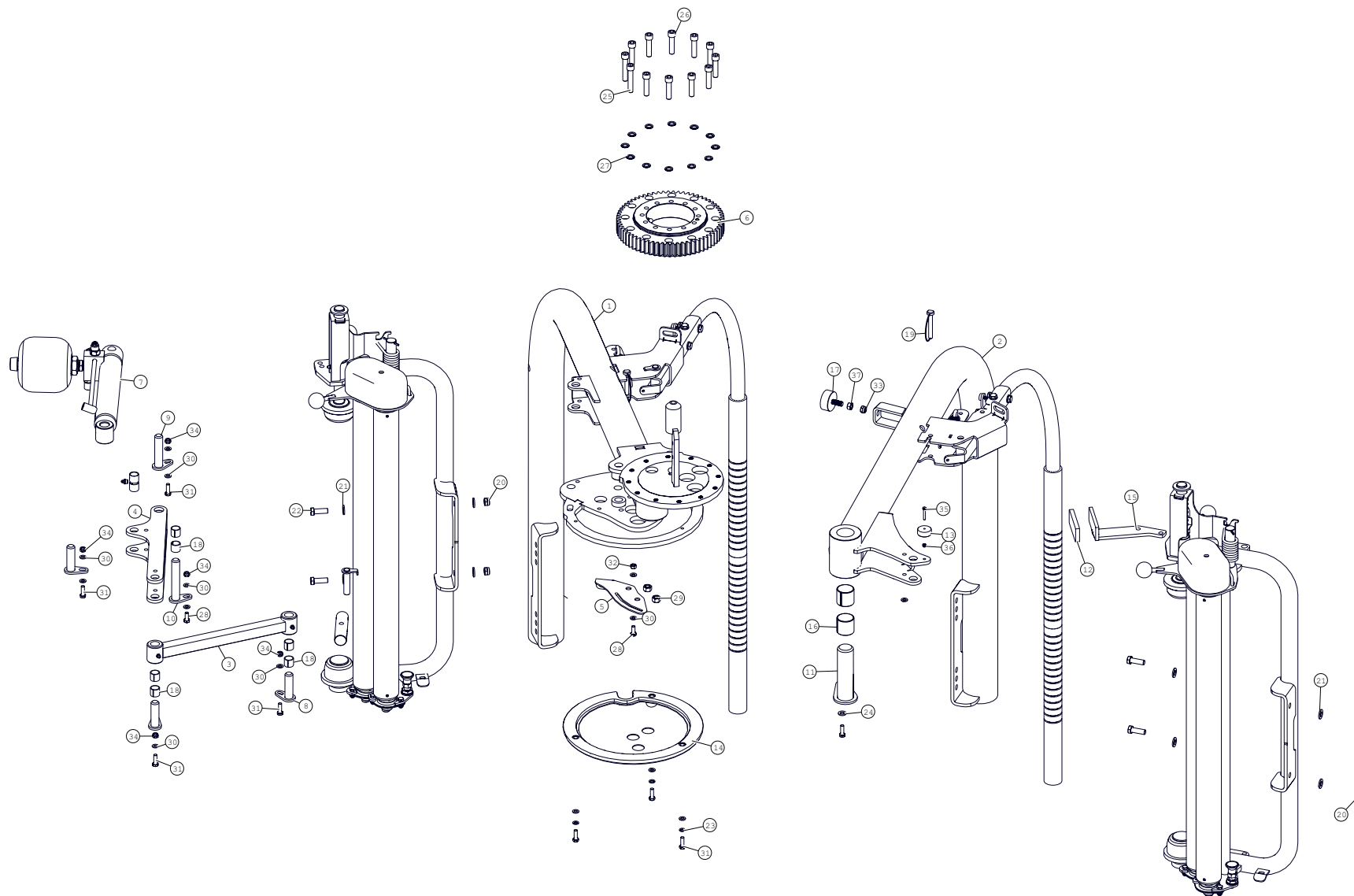
POS. NR.	TEILE NR.	STUCK	BENENNUNG	DESCRIPTION	DESIGNATION	TECHNISCHE ANGABEN
POS. NR.	PART NR.	QUANTITY				TECHNICAL DATA
POS. NO.	PIECE NO.	QUANTITEE				DONNEES TECHNIQUES
1	1330890	1		S Series Smooth Roller		
2	1340030	1		S Series Roller Arm RHS		
3	1315102	1		Roller Arm Pivot Pin		
4	1315104	1		Ram Mounting Pin		
5	1315110	1		Width Extension Pin		
6	1340050	1		Roller Arm Long Pin		
7	1315105	2		Width Ram Spacer_Long		
8	1340155	1		Roller Drive Motor		
9	34105718	4		Boss Bearing		
10	34270111	1		8mm x 7mm x 30mm Key Steel		
11	34321521	1		1726207 2RS (HMEC) Bearing		
12	34321529	4		Ball Bearing (361204 R SKF)		
13	34351006	2		Eccentric Boss		
14	34360519	1		Ring Roller Middle		
15	34360523	1		Ring Roller Shield		
16	34810042	1		12 Tooth (3/4") Sprocket		
17	34810044	1		Roller Sprocket		
18	FAS34003	1		4mm R-clip Type E [DIN 11024]		
19	Z38-03	1		3/8" D Shackle		
20	Z03-20-12	2		50 X 40 Bore X 40mm LG Ten Bus		
21	FAS01005	4		M10 Flat Washer [DIN 125]		
22	FAS01006	7		M12 Flat Washer [DIN 125]		
23	FAS02005	4		M10 Spring Lock Washer [DIN 127]		
24	FAS02006	2		M12 Spring Lock Washer [DIN 127]		
25	FAS04105	4		M20 Thin Hex Nut [DIN 936]		
26	FAS05006	2		M10 Locknut [DIN 985]		
27	FAS05009	1		M12 Locknut [DIN 985]		
28	FAS05015	4		M20 Locknut [DIN 985]		
29	FAS06130	4		M10 X 60 Hex Bolt [DIN 931]		
30	FAS06244	2		M20 X 80 Hex Bolt [DIN 931]		
31	FAS06253	2		M20 X 110 Hex Bolt [DIN 931]		
32	FAS07142	2		M10 X 30 Hex Set [DIN 933]		
33	FAS07187	1		M12 X 40 Hex Set [DIN 933]		
34	FAS11289	2		M12 X 35 Allen Head Set [DIN 912]		
35	FAS16040	1		Internal Circlip - 72 X 2.5 [DIN 472]		
36	FAS21023	1		M8 X 10 Grub Screw [DIN 914]		
37	FAS27005	3		M8 x 1.25 Grease Nipple [DIN 71412 A]		

## 4. SPDW0022 CUT & START ASSEMBLY



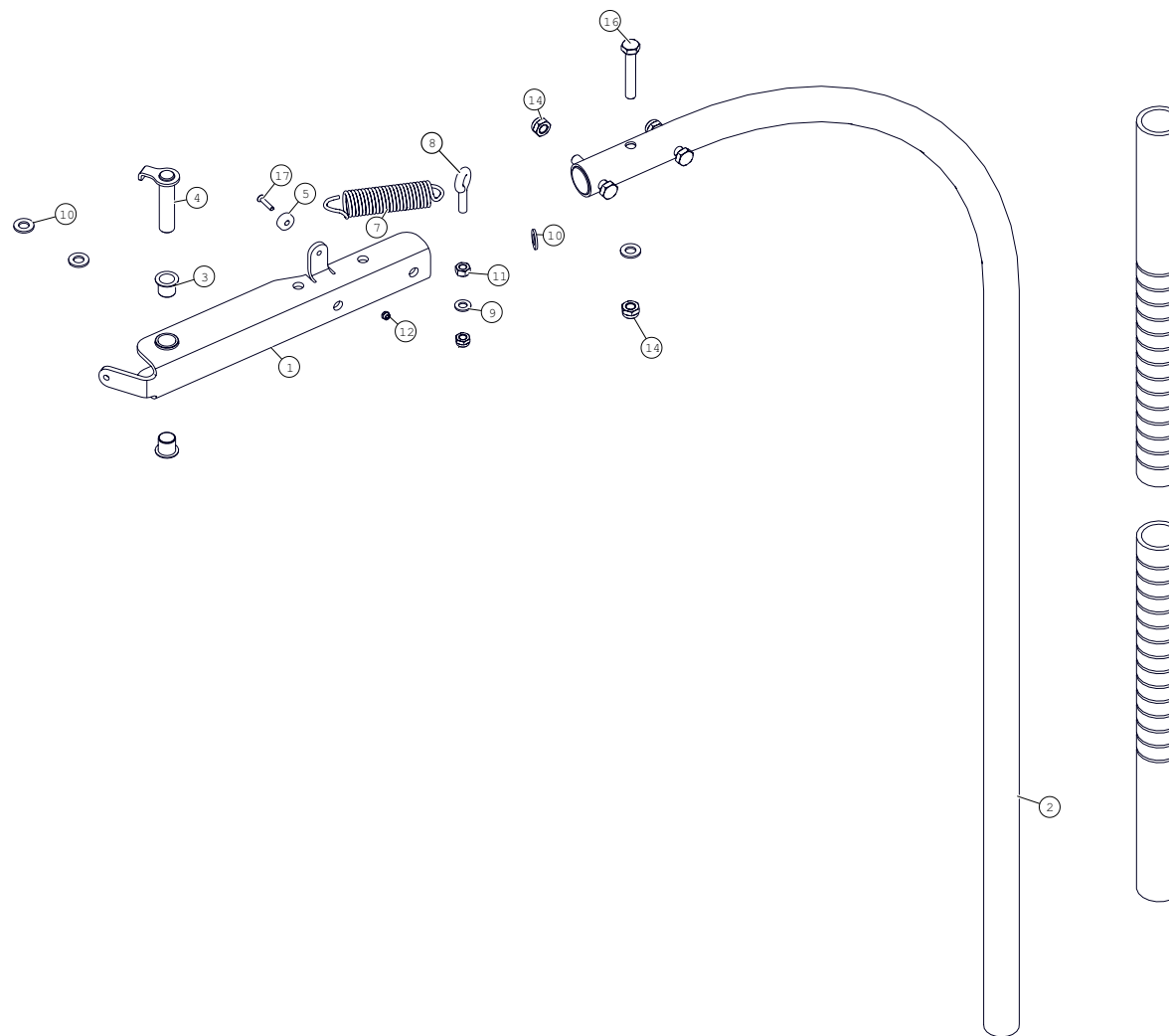
POS. NR.	TEILE NR.	STUCK	BENENNUNG	DESCRIPTION	DESIGNATION	TECHNISCHE ANGABEN
POS. NR.	PART NR.	QUANTITY				TECHNICAL DATA
POS. NO.	PIECE NO.	QUANTITEE				DONNEES TECHNIQUES
1	1330015	1		Cut & Start Cylinder		
2	1330304	1		Cut & Start Square Plunger Pin		
3	1330310	1		Cut & Start Main Frame		
4	1330320	1		Cut & Start Top Stage		
5	1330330	3		Cut & Start Wheel Complete		
6	1330340	1		Cut & Start Middle Stage		
7	1330305	2		Rubber Buffer 120 x 48mm		
8	1330307	1		Cut & Start Blade		
9	1330324	1		Gripper Mounting Profile		
10	1330325	6		Cut & Start Wheel Spacer		
11	1330345	1		Aluminium Plastic Remover		
12	CAW00047	1		C&S Blade Protector		
13	FAS01003	6		M6 Flat Washer [DIN 125]		
14	FAS01004	2		M8 Flat Washer [DIN 125]		
15	FAS01005	5		M10 Flat Washer [DIN 125]		
16	FAS01006	8		M12 Flat Washer [DIN 125]		
17	FAS02004	2		M8 Spring Lock Washer [DIN 127]		
18	FAS05003	3		M6 Locknut [DIN 985]		
19	FAS05006	3		M10 Locknut [DIN 985]		
20	FAS05009	4		M12 Locknut [DIN 985]		
21	FAS06169	3		M12 X 65 Hex Bolt [DIN 931]		
22	FAS07058	3		M6 X 25 Hex Set [DIN 933]		
23	FAS07088	2		M8 X 16 Hex Set [DIN 933]		
24	FAS07142	2		M10 X 30 Hex Set [DIN 933]		
25	FAS07184	1		M12 X 35 Hex Set [DIN 933]		
26	FAS13107	1		M12 X 40 Countersunk Allen Head Set [DIN 7991]		
27	FAS19059	1		M8 X 45 Roll Pin [DIN 1481]		
28	Z03-25-05	4		4.8 x 16 (VLA4816) Pop Rivet L		
29	Z07-49	1		Compression Spring Plated 120mm		

## 5. SPDW0092 TRI ARM ASSEMBLY



POS. NR.	TEILE NR.	STUCK	BENENNUNG	DESCRIPTION	DESIGNATION	TECHNISCHE ANGABEN
POS. NR.	PART NR.	QUANTITY				TECHNICAL DATA
POS. NO.	PIECE NO.	QUANTITEE				DONNEES TECHNIQUES
1	1315403	2		Main Arm Linkage Pin		
2	1315405	3		Linkage / Ram Pin		
3	1330021	1		Accumulator Kit		
4	1330051	1		Slew Ring 65T Counter Bored		
5	1330420	1		Wrap Arm Pivot Pin		
6	AWW00064	1		Main Wrapping Arm		
7	AWW00066	1		Secondary Slave Arm		
8	AWW00067	1		Tertiary Slave Wrap Arm		
9	1330020	2		Tri Arm Unfold Cylinder		
10	1340027	1		Unfold Sensor Bracket		
11	1309201	1		RDS Sensor Magnet		
12	1314502	2		100 x 40mm Rubber Pad		
13	1330637	1		Unfold Magnet Bracket		
14	CAW00113	1		Wrap Cable Protection Disc		
15	CAW00091	1		Unfold Buffer Mounting		
16	CAW00115	1		Safety Arm Stop_Wide		
17	Z03-22-07	1		3/8" Curved Linch Pin		
18	Z03-20-27 DU	4		40mm ID, 40mm Long		
19	Z01-03-1047	1		1/4" Variable Restrictor		
20	Z40-20	2		50mm x 42 Type D Buffer		
21	Z40-28	1		50mm x 21 Type D Buffer		
22	FAS07136	2		M10 X 20 Hex Set [DIN 933]		
23	FAS01004	12		M8 Flat Washer [DIN 125]		
24	FAS04009	2		M10 Plain Hex Nut [DIN 934]		
25	FAS04012	1		M12x1.25 Plain Hex Nut [DIN 934]		
26	FAS05003	1		M6 Locknut [DIN 985]		
27	FAS05004	4		M8 Locknut [DIN 985]		
28	FAS05006	7		M10 Locknut [DIN 985]		
29	FAS07091	1		M8 X 20 Hex Set [DIN 933]		
30	FAS07094	7		M8 X 25 Hex Set [DIN 933]		
31	FAS07142	2		M10 X 30 Hex Set [DIN 933]		
32	FAS07349	2		M10 X 35 Hex Set [DIN 933]		
33	FAS05004	1		M8 Locknut [DIN 985]		
34	FAS12231	10		M12x1.25 X 50 Allen Head Set [DIN 912]		
35	FAS12240	2		M12x1.25 X 60 Allen Head Set [DIN 912]		
36	FAS13051	1		M6 X 30 Countersunk Allen Head Set [DIN 7991]		
37	FAS30106	12		M12 Nordlock Washers (Pairs)		
38	FAS01004	3		M8 Flat Washer [DIN 125]		
39	FAS02004	3		M8 Spring Lock Washer [DIN 127]		
40	FAS01005	12		M10 Flat Washer [DIN 125]		
41	FAS07097	1		M8 X 30 Hex Set [DIN 933]		

## 5. SPDW0093\_02 SAFETY ARM ASSEMBLY

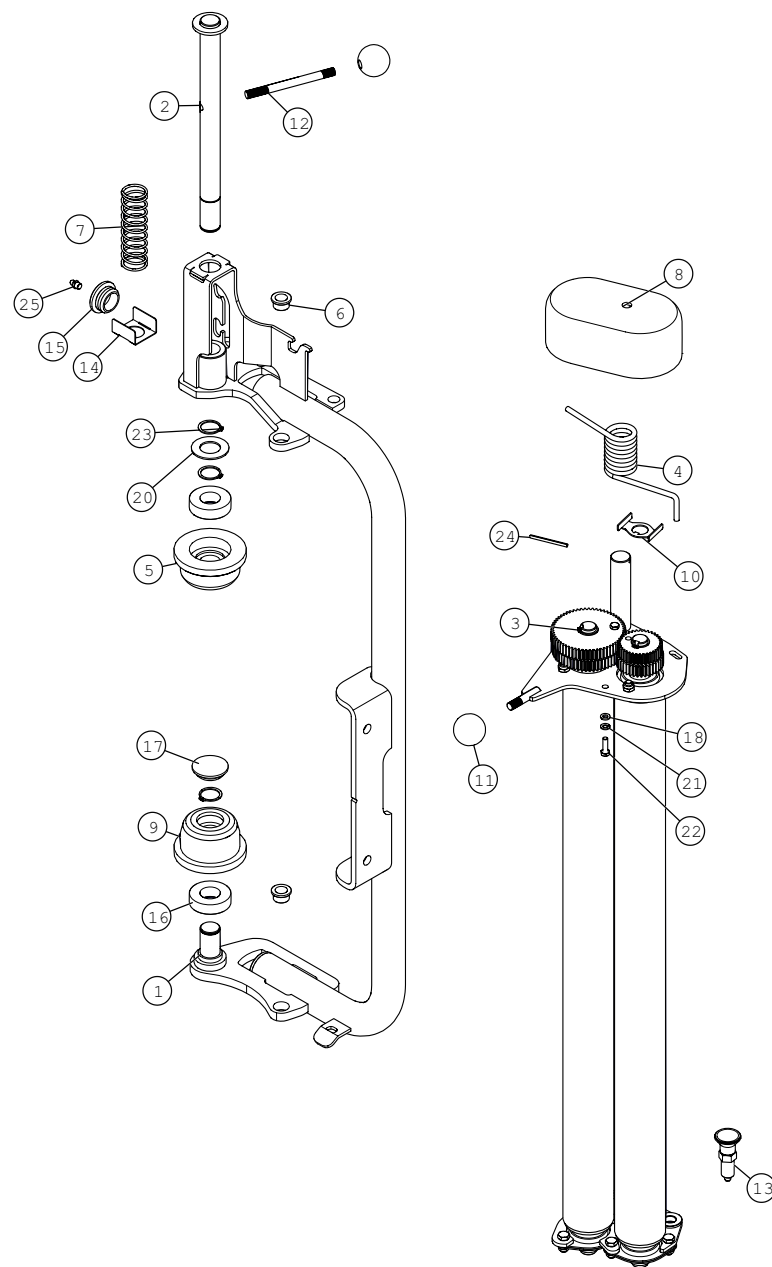


POS. NR. POS. NR. POS. NO.	TEILE NR. PART NR. PIECE NO.	STUCK QUANTITY QUANTITEE	BENENNUNG	DESCRIPTION	DESIGNATION	TECHNISCHE ANGABEN TECHNICAL DATA DONNEES TECHNIQUES
1	AWW00019	1		Safety Arm Bracket		
2	CAW00039	1		Safety Arm Assembly		
3	CAW00031	2		IGUS Safety Arm Pivot Bush		
4	CAW00035	1		Safety Arm Pivot Pin		
5	1309206	1		Red Magnet		
6	1330043	2		Safety Arm Foam Cover		
7	34430300	1		Pull Spring ( 26 x 3.25 x 12)		
8	FAS36002	1		M8 x 30mm Turned Eye Bolt		
9	FAS01004	1		M8 Flat Washer [DIN 125]		
10	FAS01005	4		M10 Flat Washer [DIN 125]		
11	FAS04005	1		M8 Plain Hex Nut [DIN 934]		
12	FAS05001	1		M4 Locknut [DIN 985]		
13	FAS05004	1		M8 Locknut [DIN 985]		
14	FAS05006	3		M10 Locknut [DIN 985]		
15	FAS06127	2		M10 X 55 Hex Bolt [DIN 931]		
16	FAS06130	1		M10 X 60 Hex Bolt [DIN 931]		
17	FAS13009	1		M4 X 20 Countersunk Allen Head Set [DIN 7991]		

TANCO S200-VA SPDW0093\_02

| SAFETY ARM ASSEMBLY |

## 6. SPDW0010 DISPENSER ASSEMBLY

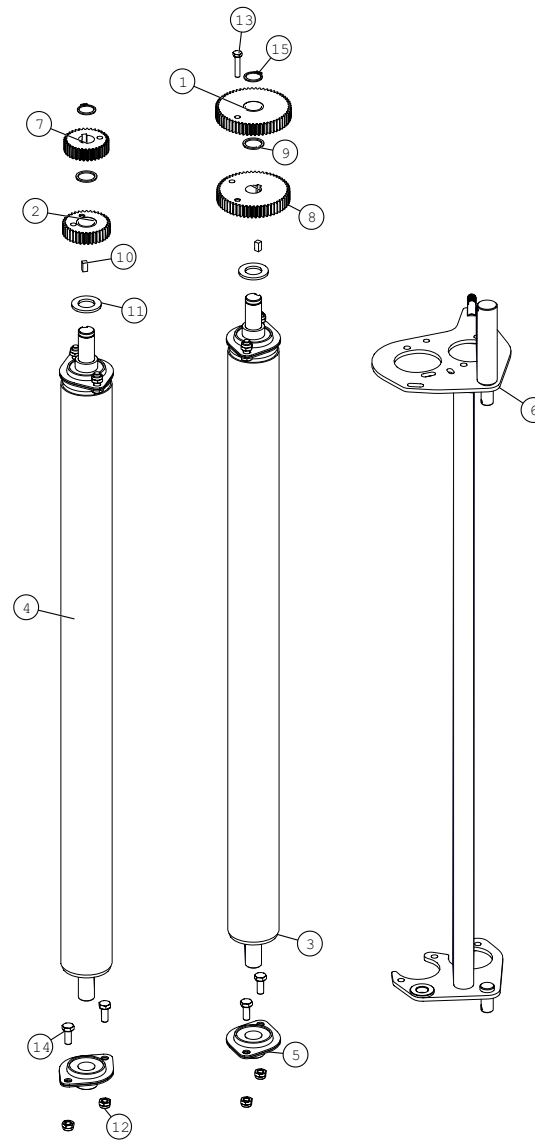


POS. NR. POS. NR. POS. NO.	TEILE NR. PART NR. PIECE NO.	STUCK QUANTITY QUANTITEE	BENENNUNG	DESCRIPTION	DESIGNATION	TECHNISCHE ANGABEN TECHNICAL DATA DONNEES TECHNIQUES
1	AWW00013	1		Dispenser Frame		
2	CAW00042	1		Top Cone Mounting Pin		
3	CAW00046	1		Dispenser Insert Assembly		
4	1115109	1		Dispenser Torsion Spring		
5	1115110	1		Upper Cone		
6	1115111	2		Dispenser Insert Pivot Bush		
7	1305021	1		Compression Spring		
8	1305125	1		Dispenser Gearbox Cover TDG01		
9	1405006	1		Bottom Nylon Cone		
10	2011066	1		A200 Film Break Bracket		
11	CAW00043	2		Dispenser Ball Handle		
12	CAW00044	1		Cone Rod		
13	CAW00045	1		Dispenser Index Plunger		
14	CAW00066	1		Spring Retainer Profile		
15	CSW00002	2		42mm OD Tube Cap		
16	Z06-AWRB	2		Ball Bearing (6205-ZZ LDK)		
17	Z32-15F	1		1 1/4" NB Tube Insert (37mm)		
18	FAS01003	2		M6 Flat Washer [DIN 125]		
19	FAS01007	2		M14 Flat Washer [DIN 125]		
20	FAS01017	1		M25 Flat Washer [Light Duty]		
21	FAS02003	2		M6 Spring Lock Washer [DIN 127]		
22	FAS07055	2		M6 X 20 Hex Set [DIN 933]		
23	FAS17013	3		External Circlip - 25 X 1.2 [DIN 471]		
24	FAS19022	3		M4 X 50 Roll Pin [DIN 1481]		
25	FAS27005	1		M8 x 1.25 Grease Nipple [DIN 71412 A]		

TANCO S200 -VA SPDW0010

| DISPENSER ASSEMBLY |

## 6.1 CAW00046 DISPENSER INSERT

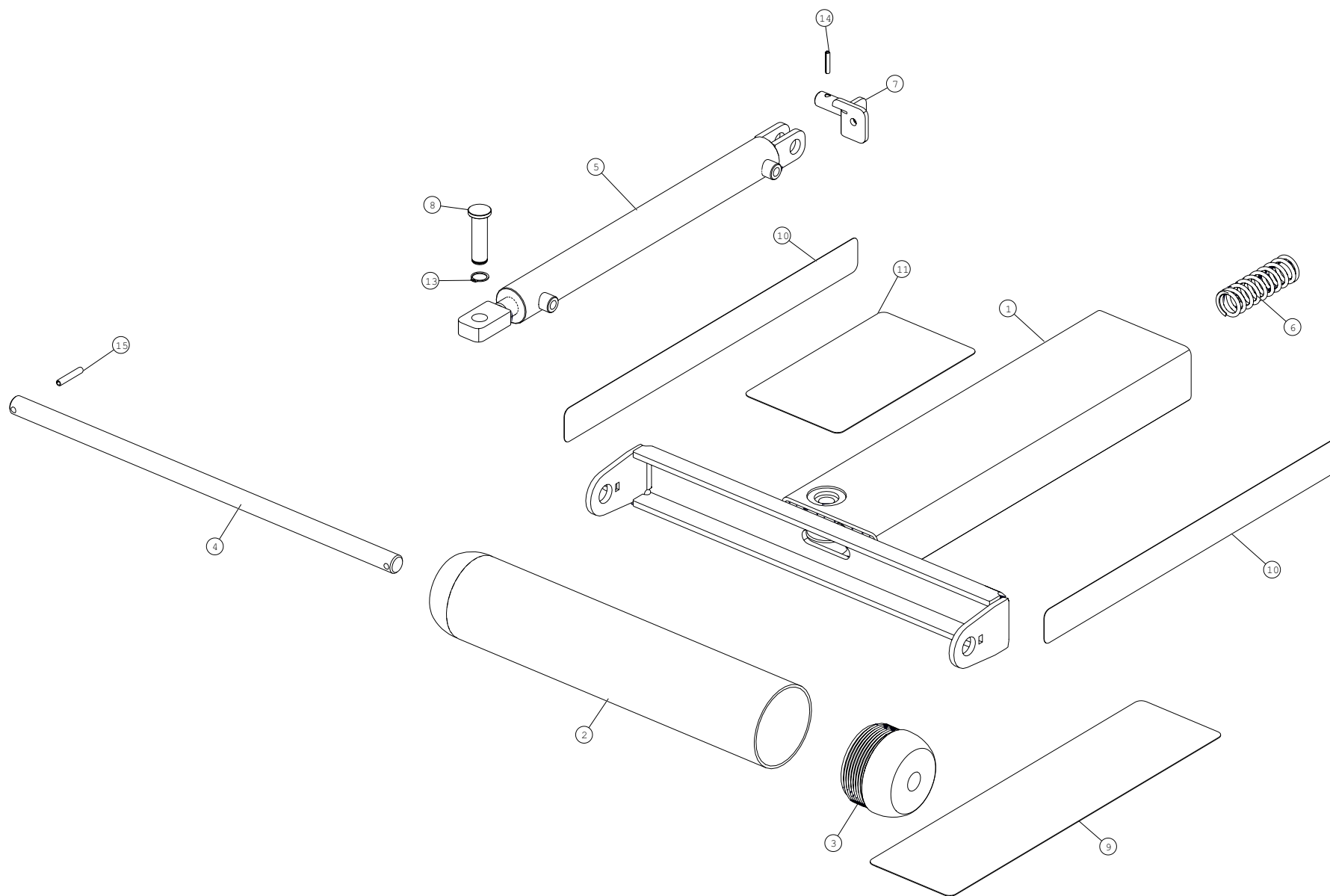


POS. NR. POS. NR. POS. NO.	TEILE NR. PART NR. PIECE NO.	STUCK QUANTITY QUANTITEE	BENENNUNG	DESCRIPTION	DESIGNATION	TECHNISCHE ANGABEN TECHNICAL DATA DONNEES TECHNIQUES
1	1305101	1		60T x 16mm 70% Dispenser Gear		
2	1305104	1		37T x 16mm 55% Dispenser Gear		
3	1305120	1		Inner Roller		
4	1305121	1		Outer Roller		
5	1305122	4		RHP Bearing SLFL20A (204)		
6	AWW00026	1		Dispenser Insert Frame		
7	1305102	1		35T x 16mm 70% Dispenser Gear		
8	1305103	1		55% Disp. Gear (58T x 16mm)		
9	1305115	2		Copper Washer		
10	1305123	2		6mm Key Steel x 12mm Long		
11	FAS01010	2		M20 Flat Washer [DIN 125]		
12	FAS05004	8		M8 Locknut [DIN 985]		
13	FAS06040	1		M6 X 30 Hex Bolt [DIN 931]		
14	FAS07091	8		M8 X 20 Hex Set [DIN 933]		
15	FAS17009	2		External Circlip - 20 X 1.2 [DIN 471]		

TANCO S200-VA CAW00046

| DISPENSER INSERT |

## 7. SPDW0030 END TIP ASSEMBLY

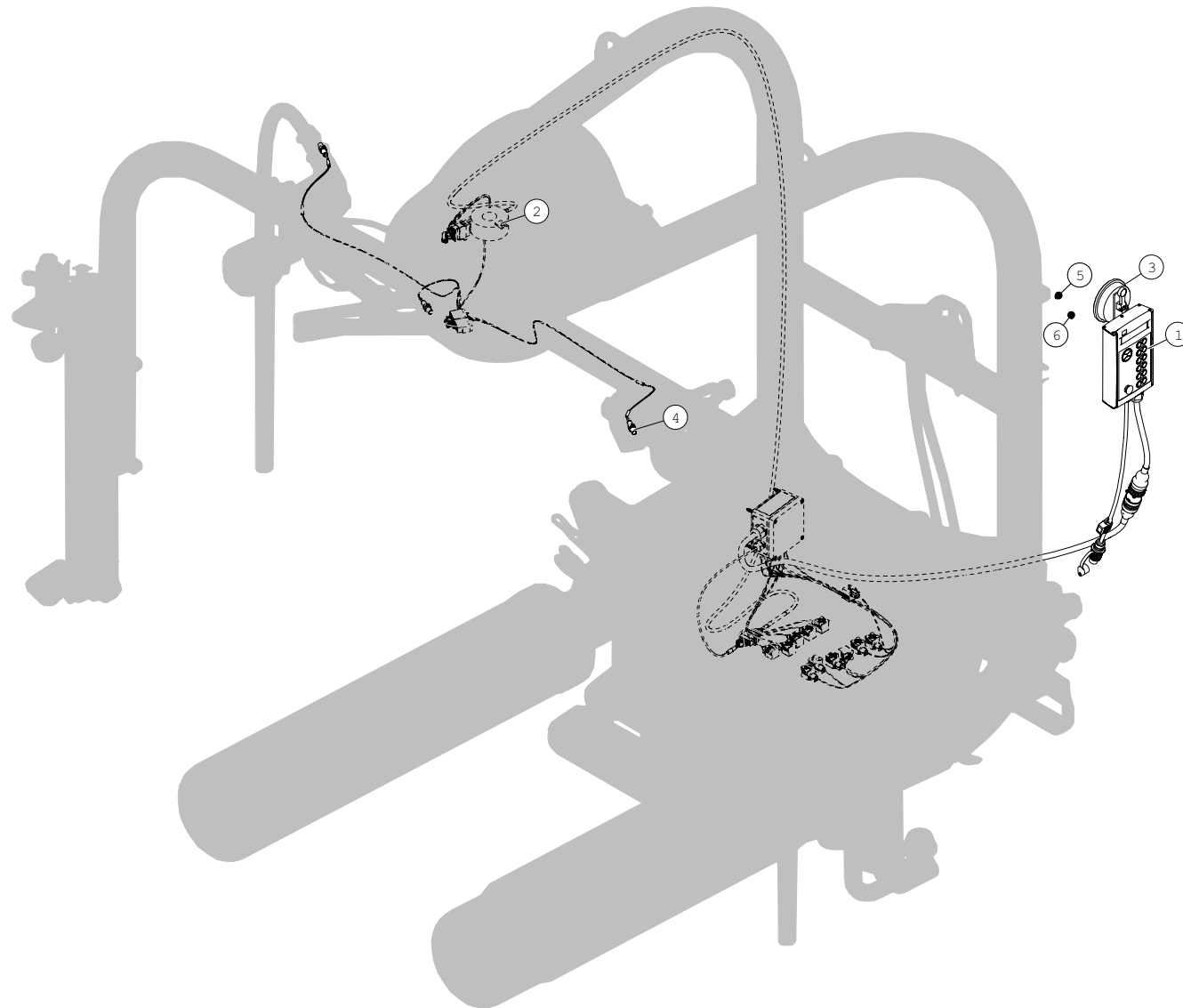


POS. NR. POS. NR. POS. NO.	TEILE NR. PART NR. PIECE NO.	STUCK QUANTITY QUANTITEE	BENENNUNG	DESCRIPTION	DESIGNATION	TECHNISCHE ANGABEN TECHNICAL DATA DONNEES TECHNIQUES
1	1340185	1		End-Tip Frame		
2	1340183	1		End-Tip Roller Tube		
3	1100156	2		Roller End Cap		
4	1340182	1		End-Tip Roller Shaft		
5	1340205	1		S Series Sliding End-tip Cylinder		
6	Z07-49	1		Compression Spring Plated 120mm		
7	1340190	1		Cylinder/Spring Mounting Pin		
8	1340195	1		Cylinder Rod Pin		
9	1340202	1		IGUS Tape Bottom		
10	1340203	2		IGUS Tape Side		
11	1340204	1		IGUS Tape Top		
12	FAS17009	1		External Circlip - 20 X 1.2 [DIN 471]		
13	FAS19033	1		M6 X 30 Roll Pin [DIN 1481]		
14	FAS19059	1		M8 X 45 Roll Pin [DIN 1481]		

TANCO S200-VA SPDW0030

| END TIP ASSEMBLY |

## 8. SPDW0104 ELECTRICAL COMPONENTS

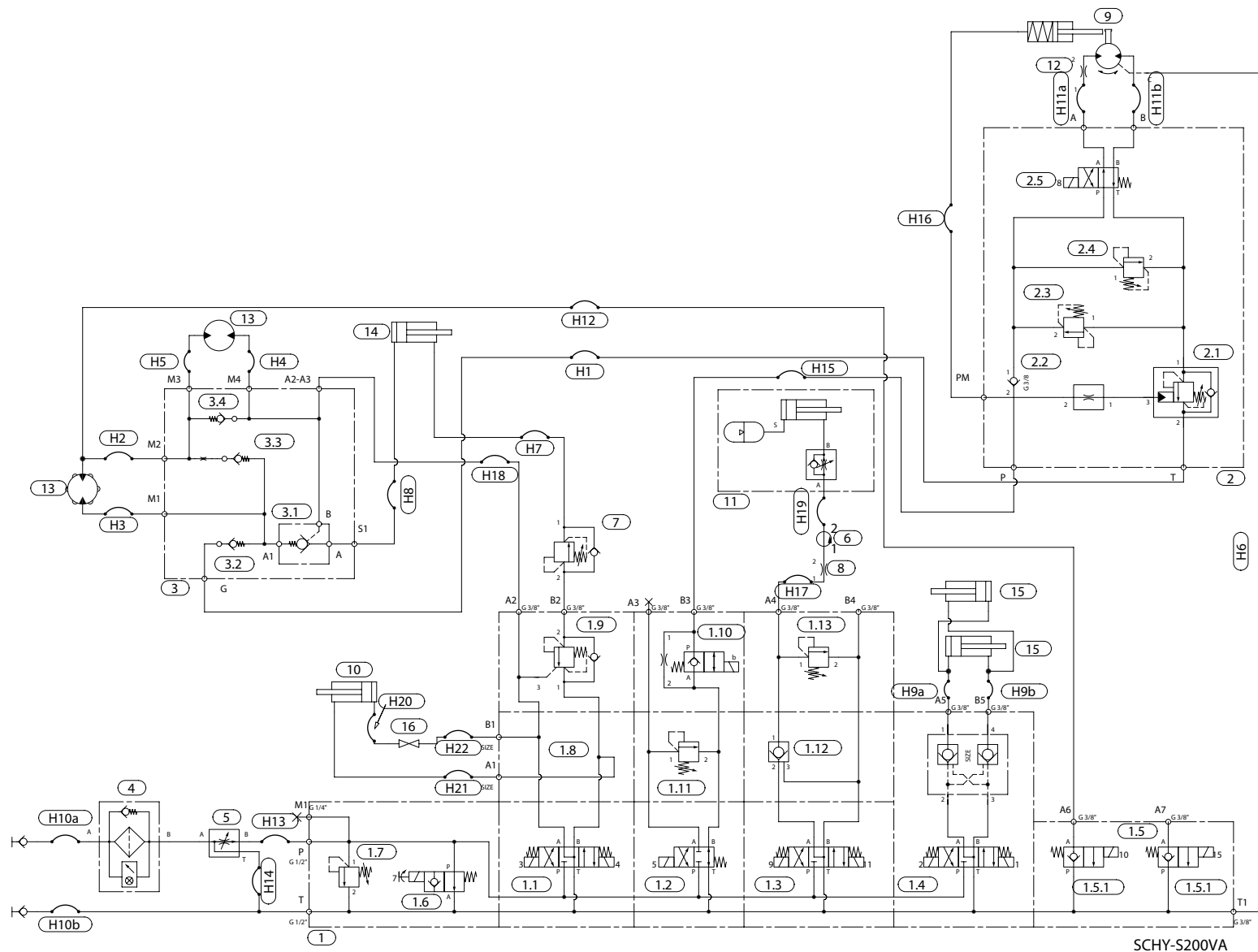


POS. NR. POS. NR. POS. NO.	TEILE NR. PART NR. PIECE NO.	STUCK QUANTITY QUANTITEE	BENENNUNG	DESCRIPTION	DESIGNATION	TECHNISCHE ANGABEN TECHNICAL DATA DONNEES TECHNIQUES
1	CKC00105	1		VA Expert 2 Headunit		
2	1330055	1		6 Way Electrical Slip Ring		
3	1309023	1		Suction Cup Assembly		
4	CEL00032	3		M12 Reed Type Sesnor (1.1M Cable)		
5	FAS01004	2		M8 Flat Washer [DIN 125]		
6	FAS05004	2		M8 Locknut [DIN 985]		

TANCO S200-VA SPDW0104

| ELECTRIC ASSEMBLY |

## 9. HYDRAULIC COMPONENTS

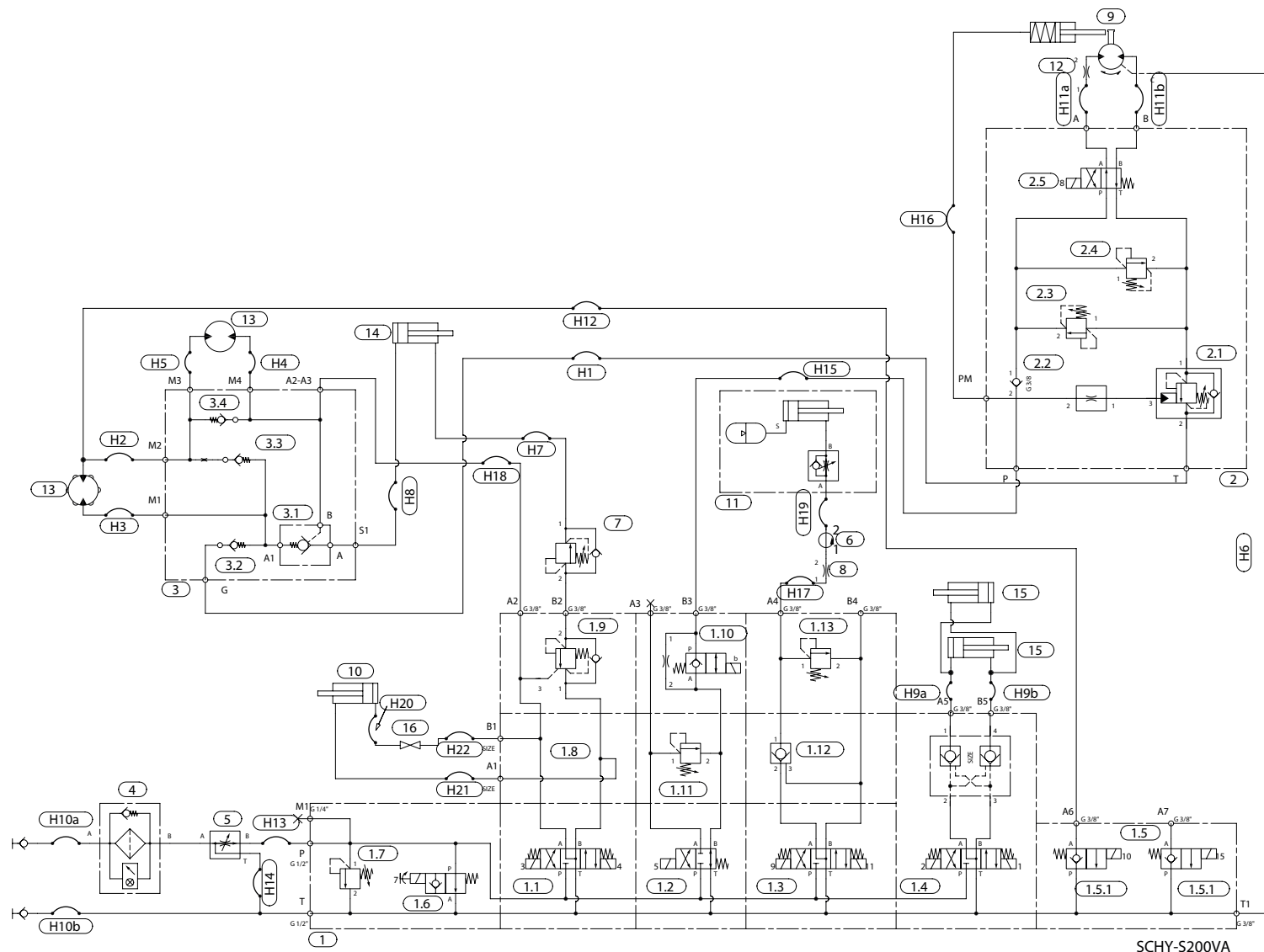


## Hydraulic Components

Pos.	Part No.	Designation	Qty
1	1340310	Control Valve	1
1.1	CVA00135		1
1.2	CVA00136	Tower Section	1
1.3	CVA00140	Unfold Section	1
1.4	CVA00140	Cut and Start Section	1
1.5	CVA00150	2/2 Directional poppet valve solenoid operated normally open	1
1.6	CVA00153	Flow control valve pressure compensated	1
1.7	CVA00123	Pressure relief valve	1
1.8	CVA00128	Counterbalance valve	1
1.9	CVA00151	2/2 Directional poppet valve solenoid operated normally closed	1
1.1	CVA00122	Pressure relief valve	1
1.11	CVA00125	Check valve pilot to open	1
1.12	CVA00124	Check valve	1
1.13	CVA00124	Check valve	1
1.14	CVA00151	2/2 Directional poppet valve solenoid operated normally closed	1
1.15	CVA00150	2/2 Directional poppet valve solenoid operated normally open	1
1.16	CVA00126	Check valve pilot to open	1

Pos.	Part No.	Designation	Qty
1.17	CVA00146	Pressure relief valve	1
1.18	CVA00147	Check valve pilot to open	1
2	CHY00006	Tower Block	1
2.1	CVA00013	Break Valve	1
2.2	CVA00012	Cross Sign Relief Valve Reverse	1
2.3	CVA00012	Cross Sign Relief Valve Forward	1
2.4	CVA00076	Reversing Valve	1
2.5	CVA00014	Insert Check Valve	1
3	Z01-03-10-A8SQ	Sequence valve	1
4	1340155	Fixed displacement motor	2
5	1518170	Folding Cylinder	1
6	Z01-03-39	Restrictor	1
7	1308075	High pressure filter	1
8	1330070	Fixed displacement motor	1
9	1330099	Rotary coupling	1
10	1340205	End Tip Cylinder	1
11	1330015	Cut & Start Cylinder	1
12	1318250	Width Cylinder	1

## 9.1 HYDRAULIC HOSES



## Hydraulic Hoses

Pos.	Part No.	Designation	Qty
H1	FHA00053	0300_2100_0300_0390_00	1
H2	FHA00054	0300_2000_0300_0300_00	1
H3a	FHA00055	0100_2200_0100_01BJ_00	1
H3b	FHA00055	0100_2200_0100_01BJ_00	1
H4	FHA00056	0100_2100_0100_0190_00	1
H5	FHA00029	0200_550_0200_0290_00	1
H6	FHA00030	0200_300_0290_0290_13	1
H7a	FHA00031	0200_550_0200_0290_00	1
H7B	FHA00031	0200_550_0200_0290_00	1
H8a	FHA00032	0200_800_02BJ_02BJ_10	1
H8b	FHA00032	0200_800_02BJ_02BJ_10	1
H9a	FHA00033	0200_400_0200_0290_00	1
H9b	FHA00033	0200_400_0200_0290_00	1
H10a	FHA00034	0200_500_02BJ_02BJ_10	1
H10b	FHA00034	0200_500_02BJ_02BJ_10	1
H11a	FHA00035	0200_700_02B90_0200_00	1
H11b	FHA00035	0200_700_02B90_0200_00	1
H12	FHA00036	0200_400_0200_0200_00	1
H13a	FHA00037	0100_1200_0100_0190_00	1
H13b	FHA00037	0100_1200_0100_0190_00	1

Pos.	Part No.	Designation	Qty
H14	FHA00038	0100_5400_0190_0190_11	1
H15	FHA00039	0100_5000_0190_0190_12	1
H16a	FHA00040	0200_5400_0290_0200_00	1
H16b	FHA00040	0200_5400_0290_0200_00	1
H17	FHA00043	0100_5000_0100_0190_00	1
H18a	FHA00044	0200_400_02B90_0200_00	1
H18b	FHA00044	0200_400_02B90_0200_00	1
H18c	FHA00044	0200_400_02B90_0200_00	1
H18d	FHA00044	0200_400_02B90_0200_00	1
H19a	FHA00045	0200_1800_0290_0590_10	1
H19b	FHA00045	0200_1800_0290_0590_10	1
H20a	FHA00046	0200_2300_0290_0590_06	1
H20b	FHA00046	0200_2300_0290_0590_06	1
H21a	FHA00047	0100_500_0590_0190_10	1
H21b	FHA00047	0100_500_0590_0190_10	1
H22a	FHA00048	0100_500_0590_0190_06	1
H22b	FHA00048	0100_500_0590_0190_06	1
H23a	FHA00049	0100_1500_01BJ_01BJ_13	1
H23b	FHA00049	0100_1500_01BJ_01BJ_13	1
H24	FHA00041	0100_900_0190_0100_00	1



# TANCO



## Contact

### Address

**Tanco Autowrap Ltd.**  
Royal Oak Road,  
Bagenaltown  
Co. Carlow  
Ireland

### Phone & Online

Phone: + 353 59 972 1336  
Email: [info@itanco.com](mailto:info@itanco.com)  
Website: [www.tanco.global](http://www.tanco.global)  
Support: [tanco.zendesk.com](https://tanco.zendesk.com)