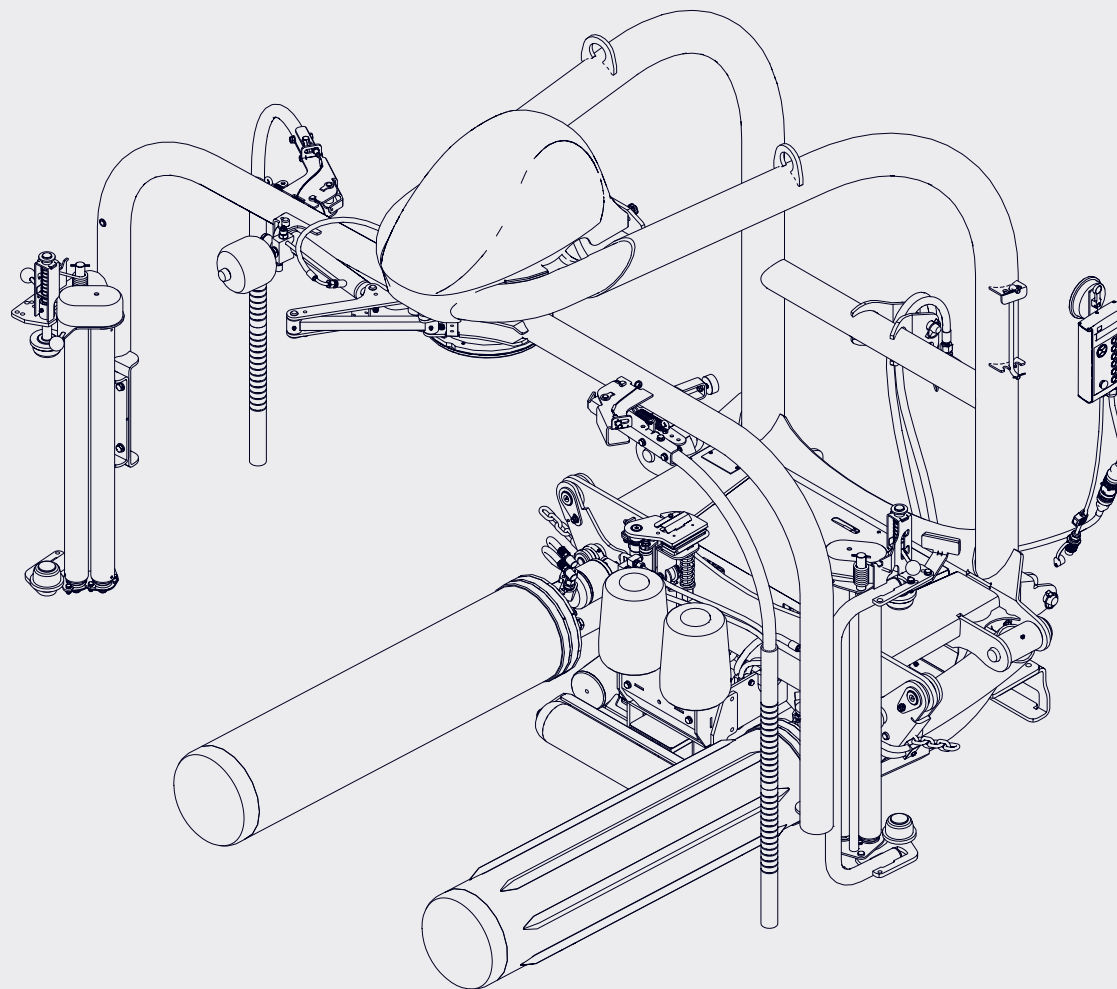




Experts in your field



AUTOWRAP

S200 VA

SPARE PARTS MANUAL

V.007\_EN

**Tanco Autowrap Ltd.**

Royal Oak Road,  
Bagenaltown  
Co. Carlow  
Ireland

Phone: + 353 59 972 1336  
Email: [info@itanco.com](mailto:info@itanco.com)  
Website: [www.tanco.global](http://www.tanco.global)  
Support: [tanco.zendesk.com](https://tanco.zendesk.com)



**TANCO**

# TANCO

## S200-VA Variwrap

---

### S200 -V A Spare Parts List

We recommend that when you require spare parts you use only original parts. When ordering spare parts please follow the following steps;

1. Identify the part you require using the detailed drawings.
2. Once you have identified the part you require reference the item number relating to the part on the item list where you will find the part number and description of the part you require. You will be required to give the complete part no and description when ordering your part(s).
3. When ordering you must give the Serial Number and Model Number of the machine.
4. All orders must go through your local Tanco Dealer, and must be either faxed or e-mailed to Tanco Autowrap.

### S200 -VA Ersatzteilliste

Wir empfehlen, nur Originalteile als Ersatzteile zu verwenden. Befolgen Sie bei der Bestellung von Ersatzteilen bitte die folgenden Schritte:

1. Stellen Sie anhand der detaillierten Zeichnungen fest, welches Teil Sie benötigen.
2. Haben Sie das benötigte Teil identifiziert, geben Sie die Teilnummer auf dem Bestellschein an, mit dem Sie das/die Ersatzteil/e bestellen.
3. Geben Sie bei jeder Bestellung die Serien- und die Modellnummer Ihrer Maschine an.
4. Alle Bestellungen müssen über Ihren Tanco-Händler vor Ort erfolgen und müssen Tanco Autowrap als Fax oder E-Mail erreichen.

### Liste des pièces de rechange S200-VA

Si vous avez besoin de pièces de rechange, nous vous recommandons de n'utiliser que des pièces garanties d'origine. Pour toute commande de pièces de rechange, veuillez suivre les étapes suivantes :

1. Identifiez la pièce dont vous avez besoin à l'aide des schémas détaillés.
  2. Après avoir identifié la pièce dont vous avez besoin, relevez son numéro de référence dans la liste des pièces dans laquelle vous trouverez également la description de la pièce requise. Lors de la commande, vous devez indiquer la référence et la description complètes de la pièce.
  3. Lors de la commande, vous devrez mentionner le numéro de série et le numéro de modèle de la machine.
  4. Vous devez effectuer toutes les commandes auprès de votre revendeur Tanco local et les faxer ou les envoyer par e-mail à Tanco Autowrap.
-

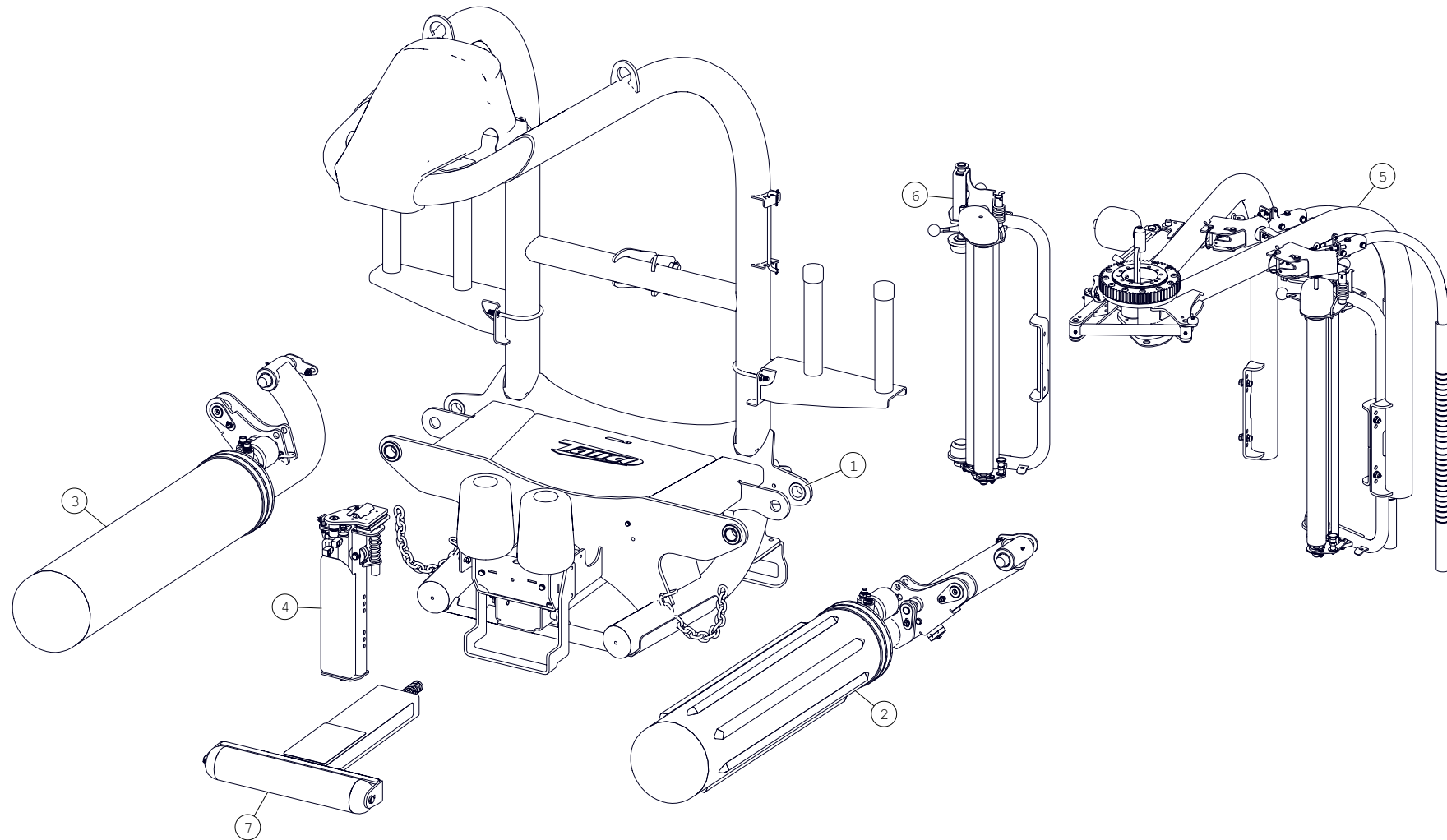
# TABLE OF CONTENTS

---

|                                 |     |
|---------------------------------|-----|
| OVERVIEW . . . . .              | 4   |
| CHASSIS ASSEMBLY . . . . .      | 6   |
| BALE SUPPORT ROLLER . . . . .   | 8   |
| CHASSIS ASSEMBLY . . . . .      | .10 |
| CONTROL VALVE . . . . .         | .12 |
| TOWER BLOCK . . . . .           | .14 |
| ROLLER ARM RHS . . . . .        | .16 |
| ROLLER ARM LHS . . . . .        | .18 |
| CUT & START ASSEMBLY . . . . .  | .20 |
| TRI ARM ASSEMBLY . . . . .      | .22 |
| SAFETY ARM ASSEMBLY . . . . .   | .24 |
| DISPENSER ASSEMBLY . . . . .    | .26 |
| DISPENSER INSERT . . . . .      | .28 |
| END TIP ASSEMBLY . . . . .      | .30 |
| ELECTRICAL COMPONENTS . . . . . | .32 |
| HYDRAULIC COMPONENTS . . . . .  | .34 |
| HYDRAULIC HOSES . . . . .       | .36 |

---

## S200-VA OVERVIEW

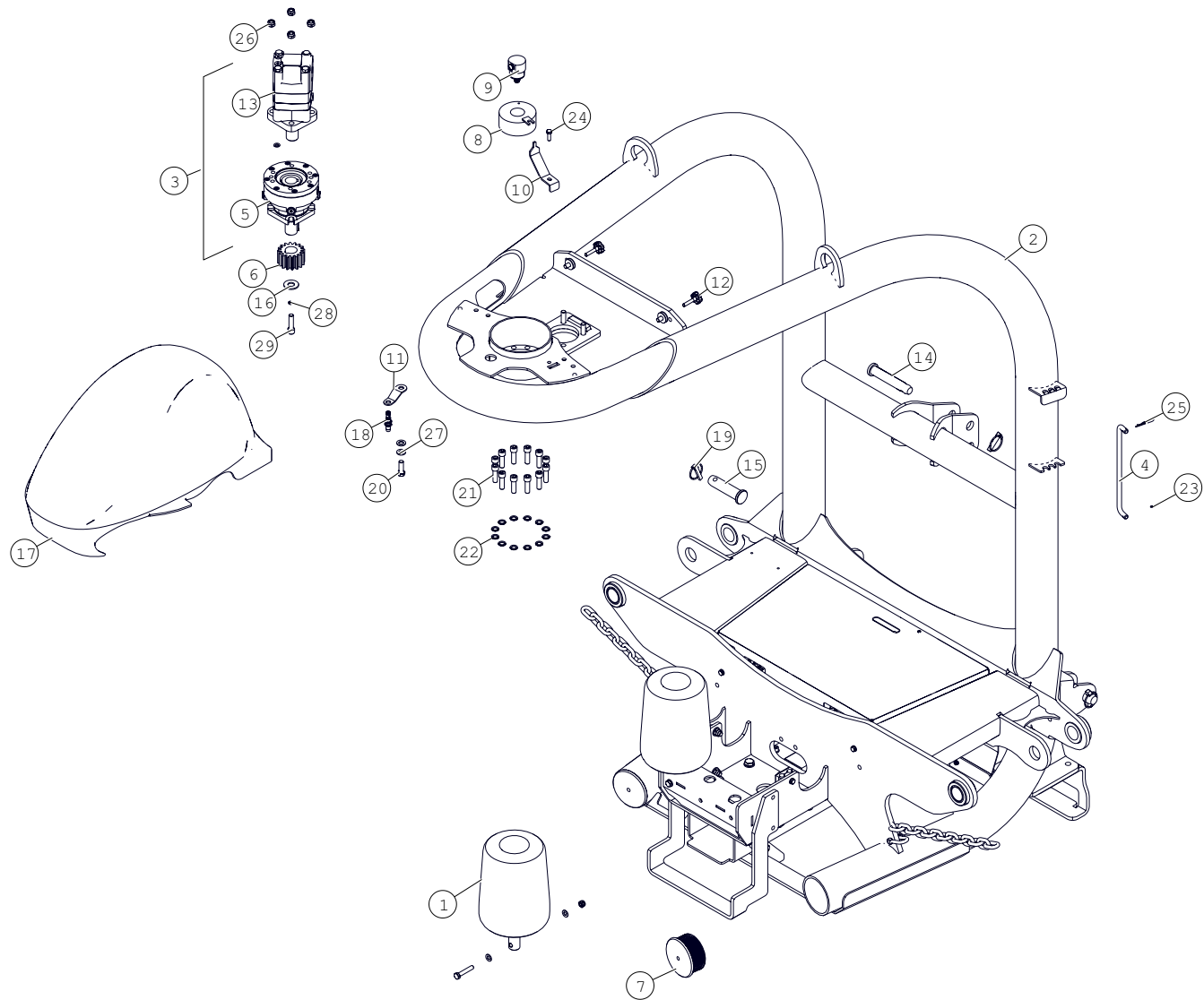


| POS. NR. | TEILE NR. | STUCK     | BENENNUNG | DESCRIPTION                   | DESIGNATION |
|----------|-----------|-----------|-----------|-------------------------------|-------------|
| POS. NR. | PART NR.  | QUANTITY  |           |                               |             |
| POS. NO. | PIECE NO. | QUANTITEE |           |                               |             |
| 1        | SPDW0025  | 1         |           | VariWrap Chassis Assembly     | Pg          |
| 2        | SPDW0018  | 1         |           | S Series Roller Arm LHS       | Pg          |
| 3        | SPDW0017  | 1         |           | S Series Roller Arm RHS       | Pg          |
| 4        | SPDW0022  | 1         |           | VariWrap Cut & Start Assembly | Pg          |
| 5        | SPDW0093  | 1         |           | Twin Arm Assembly             | Pg          |
| 6        | SPDW0010  | 1         |           | Dispenser Assembly            | Pg          |
| 7        | SPDW0030  | 1         |           | VariWrap End Tip Assembly     | Pg          |

TANCO S200-V

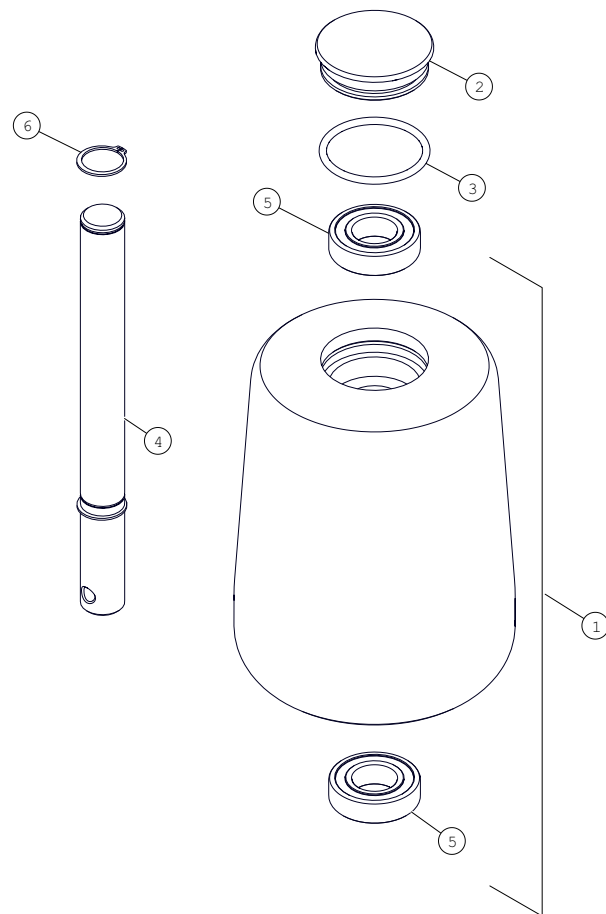
|OVERVIEW|

# 1. SPDW0027 CHASSIS ASSEMBLY



| POS. NR. | TEILE NR. | STUCK     | BENENNUNG | DESCRIPTION                            | DESIGNATION | TECHNISCHE ANGABEN |
|----------|-----------|-----------|-----------|--|-------------|--------------------|
| POS. NR. | PART NR.  | QUANTITY  |           |  |             | TECHNICAL DATA     |
| POS. NO. | PIECE NO. | QUANTITEE |           |  |             | DONNEES TECHNIQUES |
| 1        | SPDW0026  | 2         |           | Bale Support Roller Assembly           |             |                    |
| 2        | 1340000   | 1         |           | S Series Chassis                       |             |                    |
| 3        | 1330070   | 1         |           | GMSY-200 Hydraulic Motor w/Brake       |             |                    |
| 4        | 1330418   | 1         |           | Vari/Auto Arm Parking Bracket          |             |                    |
| 5        | 1330072   | 1         |           | BK 430 Brake Unit                      |             |                    |
| 6        | 1330060   | 1         |           | 16T Pinion                             |             |                    |
| 7        | 1330778   | 2         |           | Ø114 Heavy Duty Black Plastic Cap      |             |                    |
| 8        | 1330055   | 1         |           | 6 Way Electrical Slip Ring             |             |                    |
| 9        | 1330099   | 1         |           | Hydraulic Rotary Coupling              |             |                    |
| 10       | 1340216   | 1         |           | Slip Ring Bracket                      |             |                    |
| 11       | 1330636   | 1         |           | Rotation Sensor Bracket                |             |                    |
| 12       | 1340087   | 3         |           | Handwheel (Scallop Male M8 x 40mm)     |             |                    |
| 13       | 1330071   | 1         |           | GMSY-200 Hydraulic Motor               |             |                    |
| 14       | 34105635  | 1         |           | Top Link Pin                           |             |                    |
| 15       | 34105638  | 2         |           | 1 1/8" Lower Link Pin                  |             |                    |
| 16       | CAW00037  | 1         |           | 16T Pinion                             |             |                    |
| 17       | CAW00131  | 1         |           | Motor Cover                            |             |                    |
| 18       | CEL00003  | 1         |           | M12 Inductive Proximity Sensor         |             |                    |
| 19       | Z03-22-06 | 3         |           | 7/16" Dia Linch Pin                    |             |                    |
| 20       | FAS07184  | 1         |           | M12 X 35 Hex Set [DIN 933]             |             |                    |
| 21       | FAS12225  | 12        |           | M12x1.25 X 40 Allen Head Set [DIN 912] |             |                    |
| 22       | FAS30106  | 12        |           | M12 Nordlock Washers (Pairs)           |             |                    |
| 23       | FAS18030  | 1         |           | Split Pin 3.2 x 28 [DIN 94]            |             |                    |
| 24       | FAS07094  | 1         |           | M8 X 25 Hex Set [DIN 933]              |             |                    |
| 25       | FAS34001  | 1         |           | 2mm R-clip Type E [DIN 11024]          |             |                    |
| 26       | FAS05009  | 4         |           | M12 Locknut [DIN 985]                  |             |                    |
| 27       | FAS01006  | 2         |           | M12 Flat Washer [DIN 125]              |             |                    |
| 28       | FAS02004  | 1         |           | M8 Spring Lock Washer [DIN 127]        |             |                    |
| 29       | FAS11296  | 1         |           | M12 X 45 Allen Head Set [DIN 912]      |             |                    |

### 1.1 SPDW0026 BALE SUPPORT ROLLER

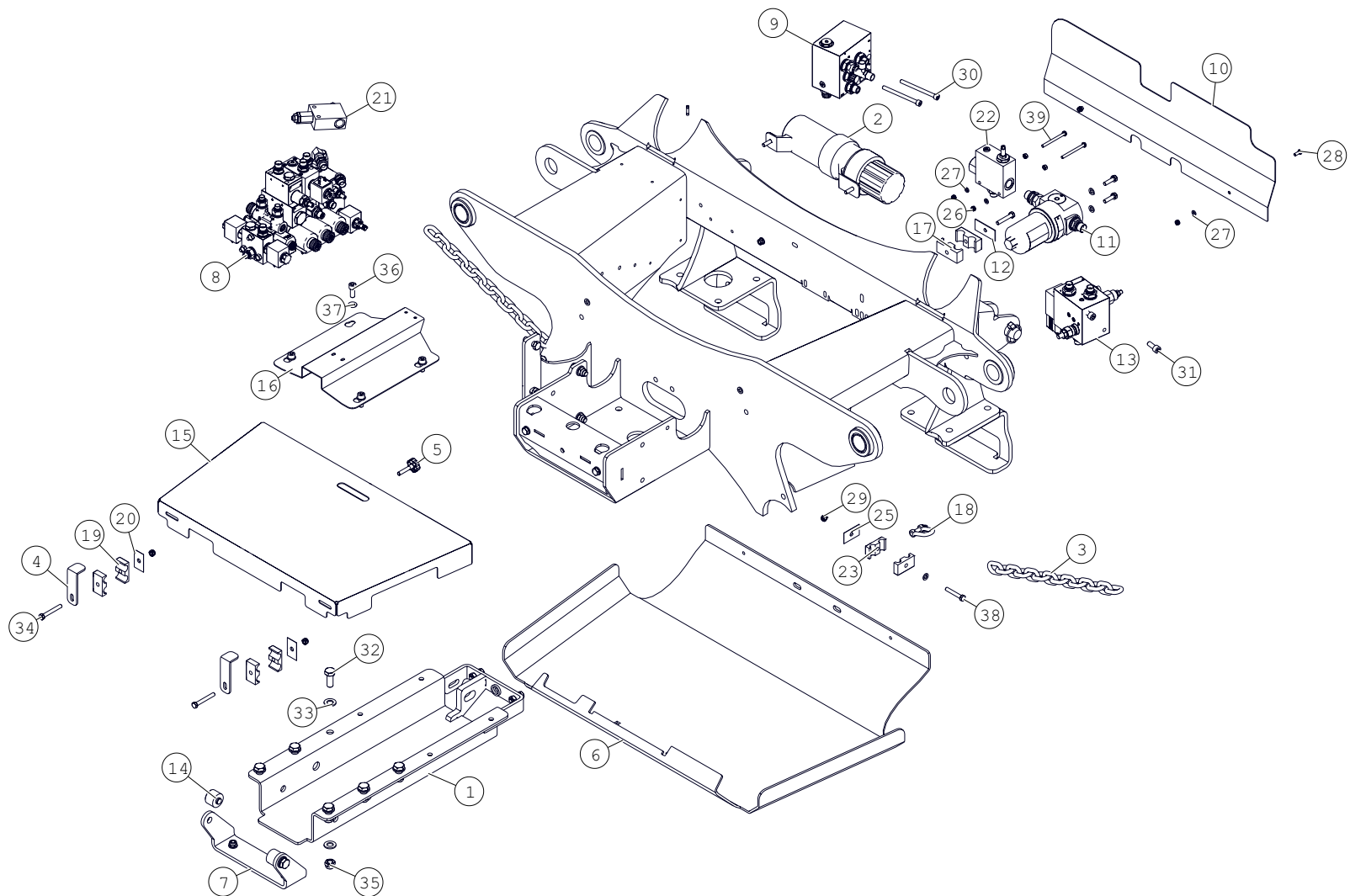


| POS. NR. | TEILE NR. | STUCK     | BENENNUNG | DESCRIPTION                           | DESIGNATION |
|----------|-----------|-----------|-----------|---------------------------------------|-------------|
| POS. NR. | PART NR.  | QUANTITY  |           |                                       |             |
| POS. NO. | PIECE NO. | QUANTITEE |           |                                       |             |
| 1        | 1340209_1 | 1         |           | S Series Cone Roller                  | Pg          |
| 2        | 1340208   | 1         |           | S Series Cone Roller Cap              | Pg          |
| 3        | 1340215   | 1         |           | O Ring ID 62 x 5mm                    | Pg          |
| 4        | FAS17017  | 2         |           | External Circlip - 30 X 1.5 [DIN 471] | Pg          |
| 5        | 1315108   | 1         |           | Plastic Roller Shaft                  | Pg          |
| 6        | 34320508  | 2         |           | Bearing 6206 2RS                      | Pg          |

Tanco S200-VA SPDW0026

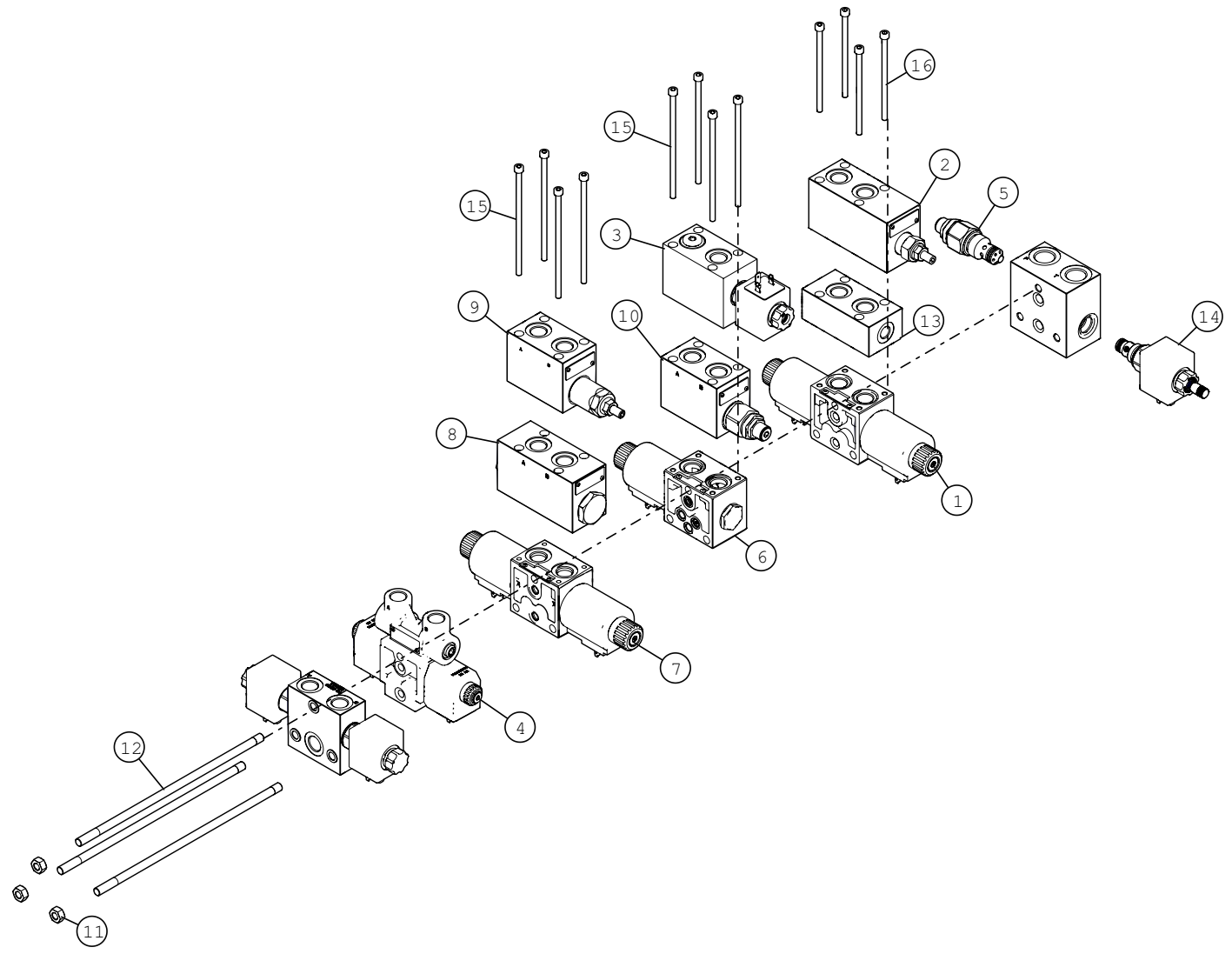
[BALE SUPPORT ROLLER]

## 1.2 SPDW0025-02 CHASSIS ASSEMBLY



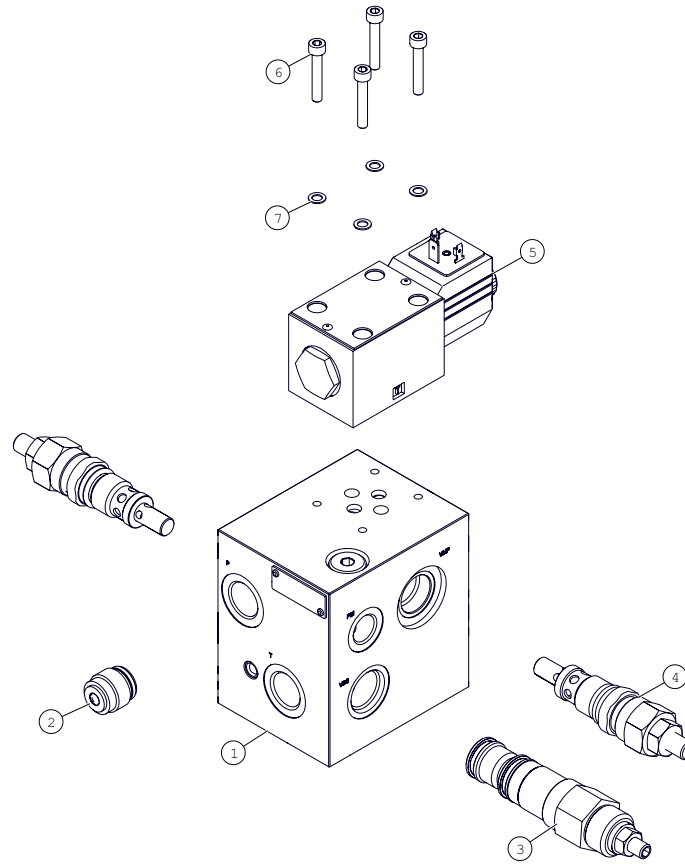
| POS. NR.<br>POS. NR.<br>POS. NO. | TEILE NR.<br>PART NR.<br>PIECE NO. | STUCK<br>QUANTITY<br>QUANTITEE | BENENNUNG | DESCRIPTION  | DESIGNATION | TECHNISCHE ANGABEN<br>TECHNICAL DATA<br>DONNEES TECHNIQUES |
|----------------------------------|------------------------------------|--------------------------------|-----------|--|-------------|--|
| 1                                | 1340175                            | 1                              |           | End-Tip Channel                                    |             |  |
| 2                                | 1330648                            | 1                              |           | Plastic Manual Tube                                |             |  |
| 3                                | 1340125                            | 2                              |           | Chain Short Link 9.5mm x 31.5mm x 13.5mm x 14 Link |             |  |
| 4                                | 1340088                            | 2                              |           | S Series Chassis Cover Bracket                     |             |  |
| 5                                | 1340087                            | 1                              |           | Handwheel (Scallop Male M8 x 40mm)                 |             |  |
| 6                                | 1340200                            | 1                              |           | Skid Plate   |             |  |
| 7                                | 1340201                            | 1                              |           | Skid Plate Hinge                                   |             |  |
| 8                                | 1318100                            | 1                              |           | 1320 Control Valve                                 |             |  |
| 9                                | 1308350                            | 1                              |           | Assembly Block                                     |             |  |
| 10                               | 1340207                            | 1                              |           | Valve Mudguard Section block                       |             |  |
| 11                               | 1308075                            | 1                              |           | High Pressure Filter                               |             |  |
| 12                               | 34260117                           | 1                              |           | M20 Pipe Clamp Top Plate_Double                    |             |  |
| 13                               | 1308180                            | 1                              |           | Tower Block  |             |  |
| 14                               | 1340179                            | 2                              |           | Skid plate mounting boss                           |             |  |
| 15                               | CAW00160                           | 1                              |           | Chassis Valve Cover                                |             |  |
| 16                               | CAW00100                           | 1                              |           | Valve Mounting Plate                               |             |  |
| 17                               | CSW00026                           | 2                              |           | 20mm Double Pipe Clamp                             |             |  |
| 18                               | Z38-03                             | 2                              |           | 3/8" D Shackle                                     |             |  |
| 19                               | Z01-24-2618                        | 4                              |           | M18 Double Pipe Clamp                              |             |  |
| 20                               | Z01-24-28                          | 2                              |           | Pipe Clamp Top Plate_Double                        |             |  |
| 21                               | Z01-03-10-A8SQ                     | 1                              |           | Sequence Overcentre Inline Val                     |             |  |
| 22                               | Z01-03-10-A7L                      | 1                              |           | 1/2" Priority Flow Regulator                       |             |  |
| 23                               | Z01-24-31                          | 1                              |           | M14 Double Pipe Clamp                              |             |  |
| 24                               | Z01-24-31                          | 1                              |           | M14 Double Pipe Clamp                              |             |  |
| 25                               | Z01-24-28                          | 1                              |           | Pipe Clamp Top Plate_Double                        |             |  |
| 26                               | FAS05003                           | 2                              |           | M6 Locknut [DIN 985]                               |             |  |
| 27                               | FAS01003                           | 6                              |           | M6 Flat Washer [DIN 125]                           |             |  |
| 28                               | FAS07049                           | 2                              |           | M6 X 16 Hex Set [DIN 933]                          |             |  |
| 29                               | FAS05004                           | 3                              |           | M8 Locknut [DIN 985]                               |             |  |
| 30                               | FAS11361                           | 2                              |           | M8 X 100 Allen Head Set [DIN 912]                  |             |  |
| 31                               | FAS11214                           | 2                              |           | M10 X 25 Allen Head Set [DIN 912]                  |             |  |
| 32                               | FAS07364                           | 6                              |           | M14 X 35 Hex Set [DIN 933]                         |             |  |
| 33                               | FAS01007                           | 12                             |           | M14 Flat Washer [DIN 125]                          |             |  |
| 34                               | FAS06097                           | 2                              |           | M8 X 60 Hex Bolt [DIN 931]                         |             |  |
| 35                               | FAS05012                           | 6                              |           | M14 Locknut [DIN 985]                              |             |  |
| 36                               | FAS11214                           | 4                              |           | M10 X 25 Allen Head Set [DIN 912]                  |             |  |
| 37                               | FAS01005                           | 4                              |           | M10 Flat Washer [DIN 125]                          |             |  |
| 38                               | FAS06091                           | 1                              |           | M8 X 50 Hex Bolt [DIN 931]                         |             |  |
| 39                               | FAS06061                           | 2                              |           | M6 X 70 Hex Bolt [DIN 931]                         |             |  |

### 1.3 1318100 CONTROL VALVE



| POS. NR.<br>POS. NR.<br>POS. NO. | TEILE NR.<br>PART NR.<br>PIECE NO. | STUCK<br>QUANTITY<br>QUANTITEE | BENENNUNG | DESCRIPTION  | DESIGNATION | TECHNISCHE ANGABEN<br>TECHNICAL DATA<br>DONNEES TECHNIQUES |
|----------------------------------|------------------------------------|--------------------------------|-----------|--|-------------|--|
| 1                                | CVA00088                           | 1                              |           | Two Direction ED2 with Hershman Coil                               |             |  |
| 2                                | CVA00086                           | 1                              |           | Stackable Element Single Overcentre Valve                          |             |  |
| 3                                | CVA00090                           | 1                              |           | Stackable Element Two Speed Valve Hershman Coil                    |             |  |
| 4                                | CVA00072                           | 1                              |           | EDB Valve Section With Double Pilot Operated Check & Hershman Coil |             |  |
| 5                                | CVA00047                           | 1                              |           | Pressure Relief Valve  |             |  |
| 6                                | CVA00221                           | 1                              |           | One Direction ED2 with Hershman Coil                               |             |  |
| 7                                | CVA00212                           | 1                              |           | ED2 Valve Section Open Centre                                      |             |  |
| 8                                | CVA00056                           | 1                              |           | Pilot Operated Check Valve   |             |  |
| 9                                | CVA00211                           | 1                              |           | Relief Valve VSBN-10A  |             |  |
| 10                               | CVA00087                           | 1                              |           | Stackable Element Pressure Relief Element                          |             |  |
| 11                               | CVA00050                           | 3                              |           | M8 Plain Hex Nut   |             |  |
| 12                               | CVA00083                           | 3                              |           | TIRANTE M8 L245.0  |             |  |
| 13                               | CVA00081                           | 1                              |           | Stackable Elements End Tip Block                                   |             |  |
| 14                               | CVA00004                           | 1                              |           | Coil Square Hershman   |             |  |
| 15                               | CVA00066                           | 8                              |           | M5 x 120 Allen Head Bolt   |             |  |
| 16                               | CVA00082                           | 4                              |           | M5 x 90 Allen Head Bolt  |             |  |

## 1.4 1308180 TOWER BLOCK

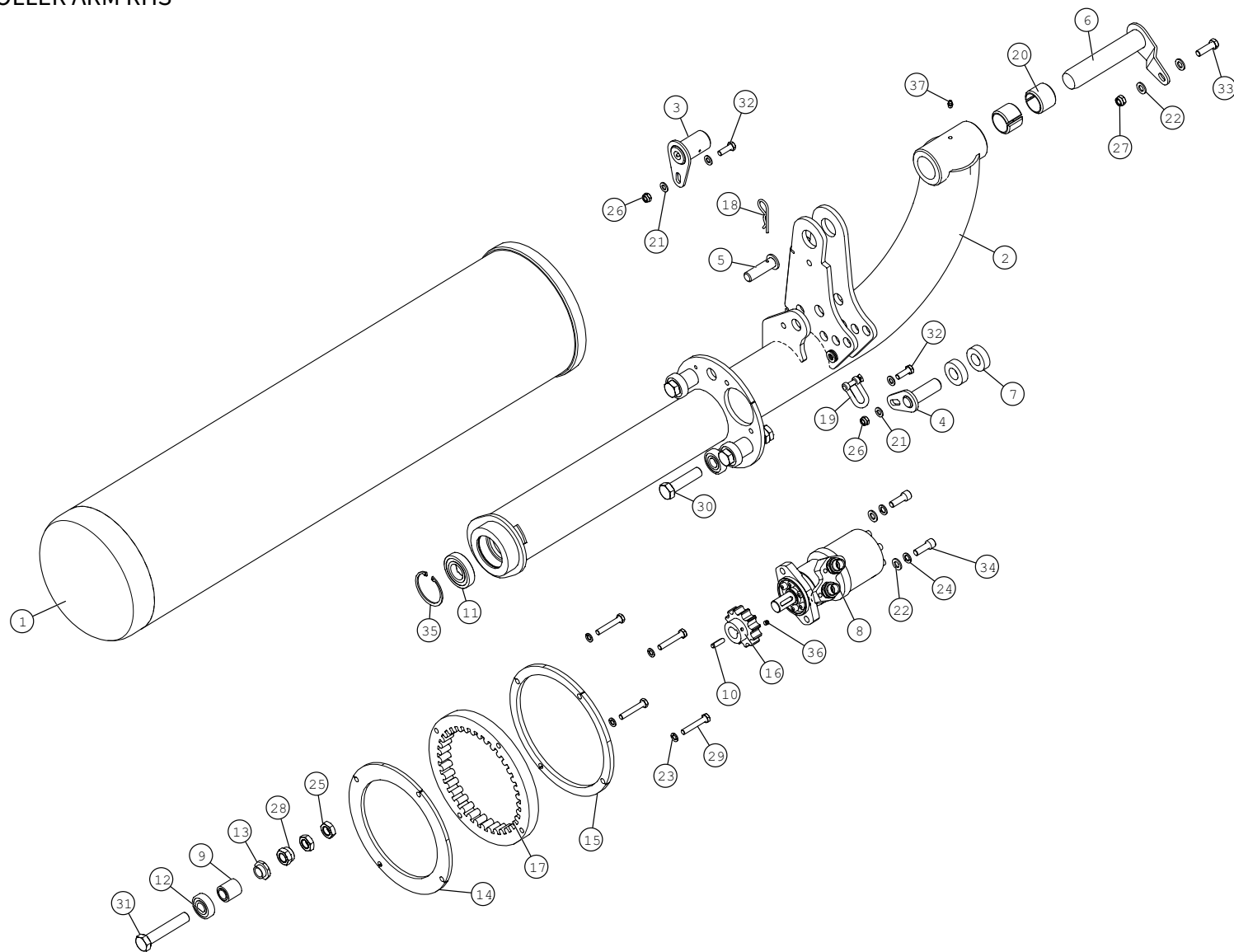


| POS. NR. | TEILE NR. | STUCK     | BENENNUNG | DESCRIPTION                   | DESIGNATION | TECHNISCHE ANGABEN |
|----------|-----------|-----------|-----------|-------------------------------|-------------|--------------------|
| POS. NR. | PART NR.  | QUANTITY  |           |                               |             | TECHNICAL DATA     |
| POS. NO. | PIECE NO. | QUANTITEE |           |                               |             | DONNEES TECHNIQUES |
| 1        | CVA00166  | 1         |           | Tower Block Body              |             |                    |
| 2        | CVA00014  | 1         |           | Insert Check Valve            |             |                    |
| 3        | CVA00013  | 1         |           | Counter Balance Valve         |             |                    |
| 4        | CVA00012  | 2         |           | Cross Sign Relief Valve       |             |                    |
| 5        | CVA00118  | 1         |           | Hershman Coil Reversing Valve |             |                    |
| 6        | CVA00017  | 4         |           | M5 x 30 Allen Head Bolt       |             |                    |
| 7        | CVA00008  | 4         |           | M5 Flat Washer                |             |                    |

TANCO S200-VA 1308180

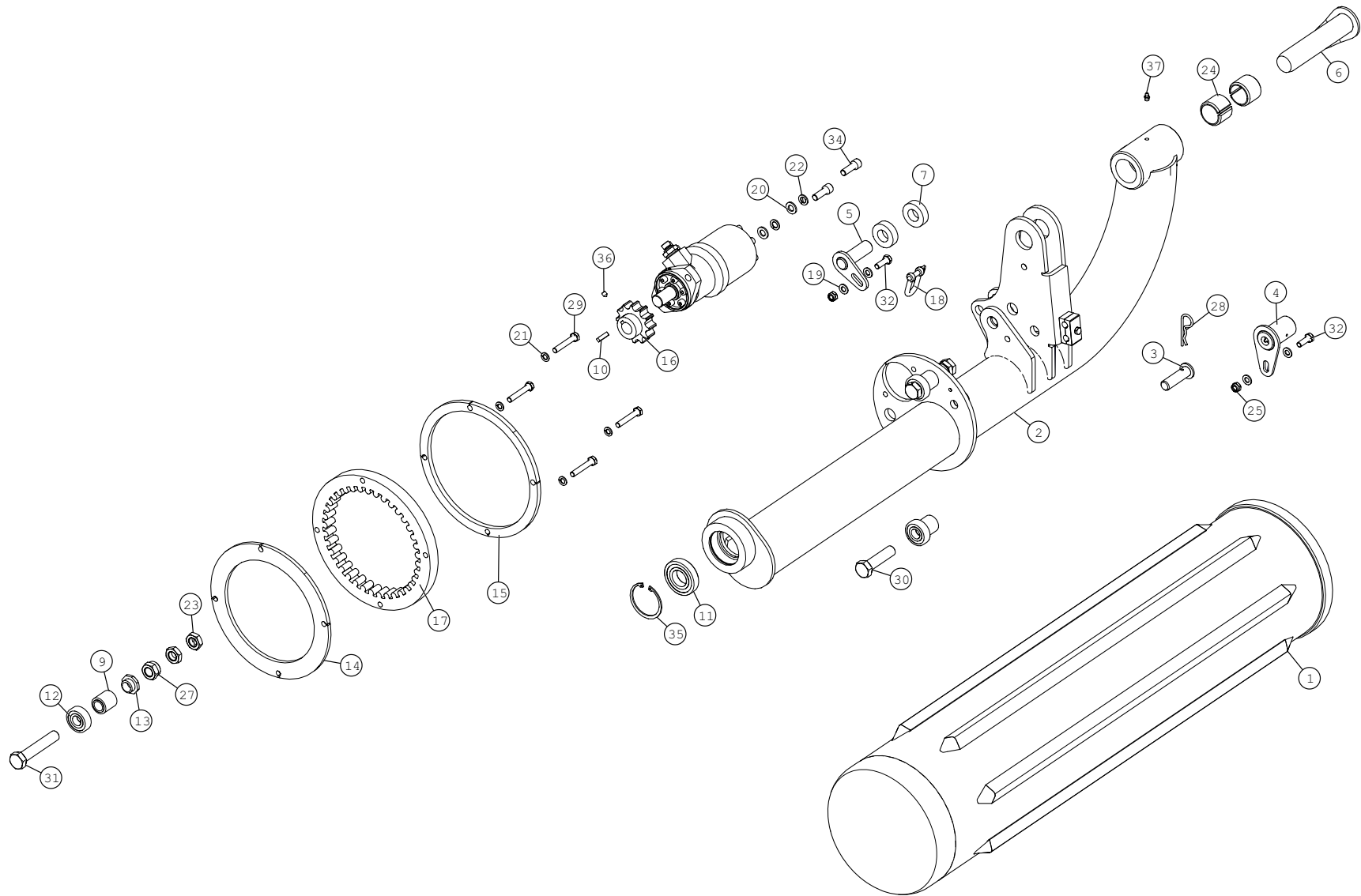
| TOWER BLOCK |

## 2. SPDW0017 ROLLER ARM RHS



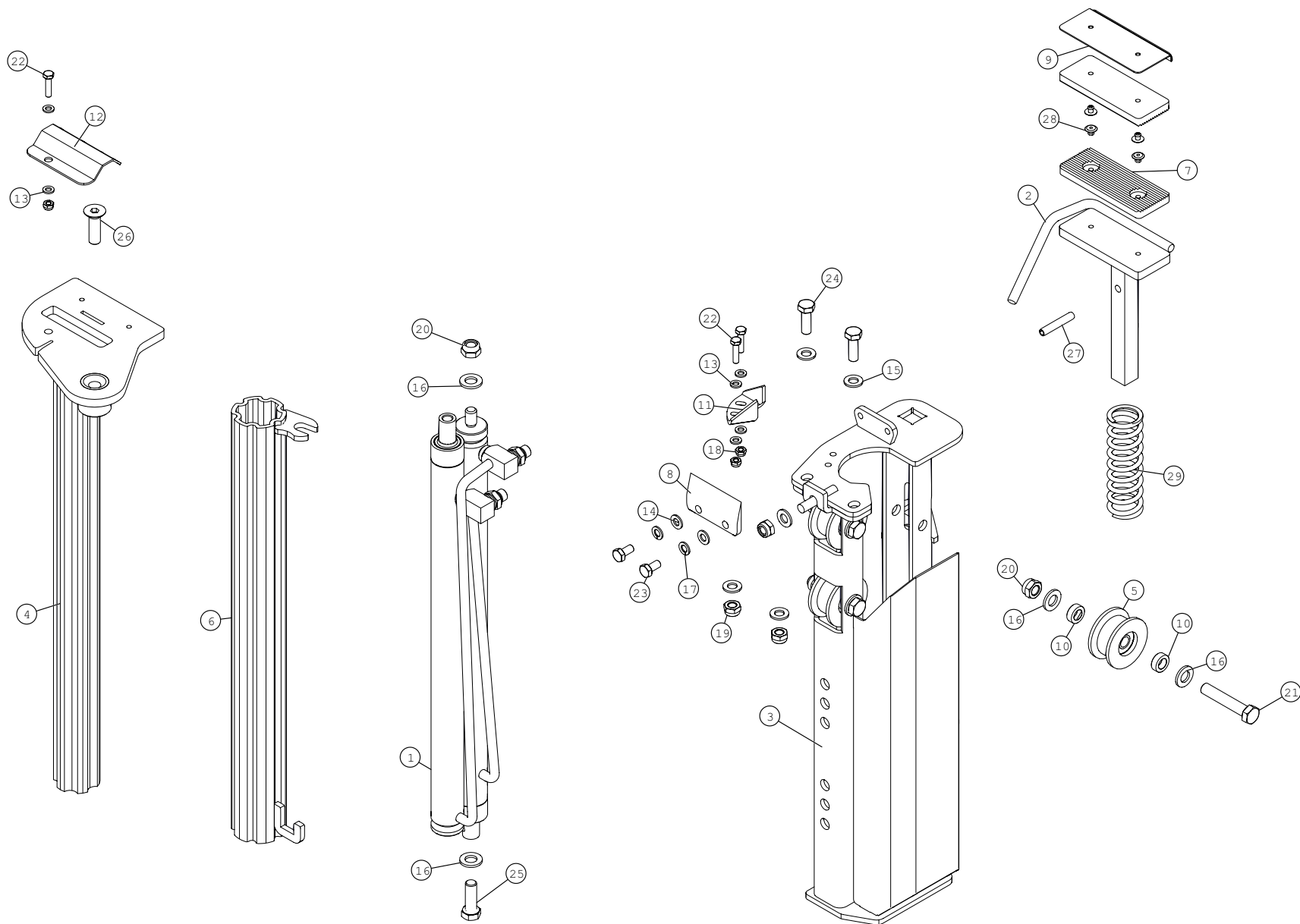
| POS. NR. | TEILE NR. | STUCK     | BENENNUNG | DESCRIPTION                           | DESIGNATION | TECHNISCHE ANGABEN |
|----------|-----------|-----------|-----------|---------------------------------------|-------------|--------------------|
| POS. NR. | PART NR.  | QUANTITY  |           |                                       |             | TECHNICAL DATA     |
| POS. NO. | PIECE NO. | QUANTITEE |           |                                       |             | DONNEES TECHNIQUES |
| 1        | 1330890   | 1         |           | S Series Smooth Roller                |             |                    |
| 2        | 1340030   | 1         |           | S Series Roller Arm RHS               |             |                    |
| 3        | 1315102   | 1         |           | Roller Arm Pivot Pin                  |             |                    |
| 4        | 1315104   | 1         |           | Ram Mounting Pin                      |             |                    |
| 5        | 1315110   | 1         |           | Width Extension Pin                   |             |                    |
| 6        | 1340050   | 1         |           | Roller Arm Long Pin                   |             |                    |
| 7        | 1315105   | 2         |           | Width Ram Spacer_Long                 |             |                    |
| 8        | 1340155   | 1         |           | Roller Drive Motor                    |             |                    |
| 9        | 34105718  | 4         |           | Boss Bearing                          |             |                    |
| 10       | 34270111  | 1         |           | 8mm x 7mm x 30mm Key Steel            |             |                    |
| 11       | 34321521  | 1         |           | 1726207 2RS (HMEC) Bearing            |             |                    |
| 12       | 34321529  | 4         |           | Ball Bearing (361204 R SKF)           |             |                    |
| 13       | 34351006  | 2         |           | Eccentric Boss                        |             |                    |
| 14       | 34360519  | 1         |           | Ring Roller Middle                    |             |                    |
| 15       | 34360523  | 1         |           | Ring Roller Shield                    |             |                    |
| 16       | 34810042  | 1         |           | 12 Tooth (3/4") Sprocket              |             |                    |
| 17       | 34810044  | 1         |           | Roller Sprocket                       |             |                    |
| 18       | FAS34003  | 1         |           | 4mm R-clip Type E [DIN 11024]         |             |                    |
| 19       | Z38-03    | 1         |           | 3/8" D Shackle                        |             |                    |
| 20       | Z03-20-12 | 2         |           | 50 X 40 Bore X 40mm LG Ten Bus        |             |                    |
| 21       | FAS01005  | 4         |           | M10 Flat Washer [DIN 125]             |             |                    |
| 22       | FAS01006  | 7         |           | M12 Flat Washer [DIN 125]             |             |                    |
| 23       | FAS02005  | 4         |           | M10 Spring Lock Washer [DIN 127]      |             |                    |
| 24       | FAS02006  | 2         |           | M12 Spring Lock Washer [DIN 127]      |             |                    |
| 25       | FAS04105  | 4         |           | M20 Thin Hex Nut [DIN 936]            |             |                    |
| 26       | FAS05006  | 2         |           | M10 Locknut [DIN 985]                 |             |                    |
| 27       | FAS05009  | 1         |           | M12 Locknut [DIN 985]                 |             |                    |
| 28       | FAS05015  | 4         |           | M20 Locknut [DIN 985]                 |             |                    |
| 29       | FAS06130  | 4         |           | M10 X 60 Hex Bolt [DIN 931]           |             |                    |
| 30       | FAS06244  | 2         |           | M20 X 80 Hex Bolt [DIN 931]           |             |                    |
| 31       | FAS06253  | 2         |           | M20 X 110 Hex Bolt [DIN 931]          |             |                    |
| 32       | FAS07142  | 2         |           | M10 X 30 Hex Set [DIN 933]            |             |                    |
| 33       | FAS07187  | 1         |           | M12 X 40 Hex Set [DIN 933]            |             |                    |
| 34       | FAS11289  | 2         |           | M12 X 35 Allen Head Set [DIN 912]     |             |                    |
| 35       | FAS16040  | 1         |           | Internal Circlip - 72 X 2.5 [DIN 472] |             |                    |
| 3W       | FAS21023  | 1         |           | M8 X 10 Grub Screw [DIN 914]          |             |                    |
| 37       | FAS27005  | 3         |           | M8 x 1.25 Grease Nipple [DIN 71412 A] |             |                    |

### 3. SPDW0018 ROLLER ARM LHS



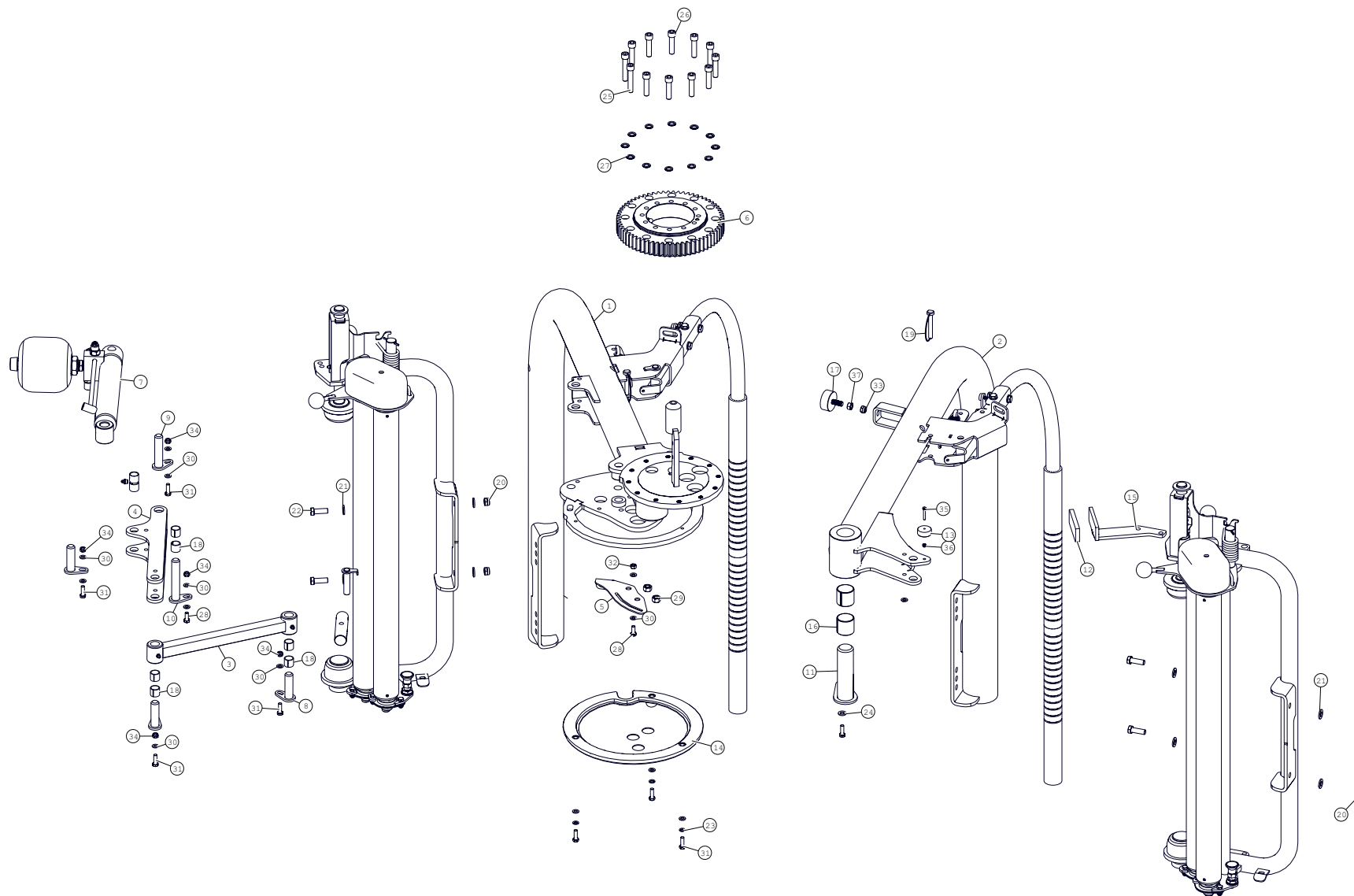
| POS. NR. | TEILE NR. | STUCK     | BENENNUNG | DESCRIPTION                           | DESIGNATION | TECHNISCHE ANGABEN |
|----------|-----------|-----------|-----------|---------------------------------------|-------------|--------------------|
| POS. NR. | PART NR.  | QUANTITY  |           |                                       |             | TECHNICAL DATA     |
| POS. NO. | PIECE NO. | QUANTITEE |           |                                       |             | DONNEES TECHNIQUES |
| 1        | 1330895   | 1         |           | S Series Grippped Roller              |             |                    |
| 2        | 1340035   | 1         |           | S Series Roller Arm LHS               |             |                    |
| 3        | 1315110   | 1         |           | Width Extension Pin                   |             |                    |
| 4        | 1315102   | 1         |           | Roller Arm Pivot Pin                  |             |                    |
| 5        | 1315104   | 1         |           | Ram Mounting Pin                      |             |                    |
| 6        | 1340050   | 1         |           | Roller Arm Long Pin                   |             |                    |
| 7        | 1315105   | 2         |           | Width Ram Spacer_Long                 |             |                    |
| 8        | 1340155   | 1         |           | Roller Drive Motor                    |             |                    |
| 9        | 34105718  | 4         |           | Boss Bearing                          |             |                    |
| 10       | 34270111  | 1         |           | 8mm x 7mm x 30mm Key Steel            |             |                    |
| 11       | 34321521  | 1         |           | 1726207 2RS (HMEC) Bearing            |             |                    |
| 12       | 34321529  | 4         |           | Ball Bearing (361204 R SKF)           |             |                    |
| 13       | 34351006  | 2         |           | Eccentric Boss                        |             |                    |
| 14       | 34360519  | 1         |           | Ring Roller Middle                    |             |                    |
| 15       | 34360523  | 1         |           | Ring Roller Shield                    |             |                    |
| 16       | 34810042  | 1         |           | 12 Tooth (3/4") Sprocket              |             |                    |
| 17       | 34810044  | 1         |           | Roller Sprocket                       |             |                    |
| 18       | Z38-03    | 1         |           | 3/8" D Shackle                        |             |                    |
| 19       | FAS01005  | 4         |           | M10 Flat Washer [DIN 125]             |             |                    |
| 20       | FAS01006  | 7         |           | M12 Flat Washer [DIN 125]             |             |                    |
| 21       | FAS02005  | 4         |           | M10 Spring Lock Washer [DIN 127]      |             |                    |
| 22       | FAS02006  | 2         |           | M12 Spring Lock Washer [DIN 127]      |             |                    |
| 23       | FAS04105  | 4         |           | M20 Thin Hex Nut [DIN 936]            |             |                    |
| 24       | Z03-20-12 | 2         |           | 50 X 40 Bore X 40mm LG Ten Bus        |             |                    |
| 25       | FAS05006  | 2         |           | M10 Locknut [DIN 985]                 |             |                    |
| 26       | FAS05009  | 1         |           | M12 Locknut [DIN 985]                 |             |                    |
| 27       | FAS05015  | 4         |           | M20 Locknut [DIN 985]                 |             |                    |
| 28       | FAS34003  | 1         |           | 4mm R-clip Type E [DIN 11024]         |             |                    |
| 29       | FAS06130  | 4         |           | M10 X 60 Hex Bolt [DIN 931]           |             |                    |
| 30       | FAS06244  | 2         |           | M20 X 80 Hex Bolt [DIN 931]           |             |                    |
| 31       | FAS06253  | 2         |           | M20 X 110 Hex Bolt [DIN 931]          |             |                    |
| 32       | FAS07142  | 2         |           | M10 X 30 Hex Set [DIN 933]            |             |                    |
| 33       | FAS07187  | 1         |           | M12 X 40 Hex Set [DIN 933]            |             |                    |
| 34       | FAS11289  | 2         |           | M12 X 35 Allen Head Set [DIN 912]     |             |                    |
| 35       | FAS16040  | 1         |           | Internal Circlip - 72 X 2.5 [DIN 472] |             |                    |
| 36       | FAS21023  | 1         |           | M8 X 10 Grub Screw [DIN 914]          |             |                    |
| 37       | FAS27005  | 3         |           | M8 x 1.25 Grease Nipple [DIN 71412 A] |             |                    |

## 4. SPDW0022 CUT & START ASSEMBLY



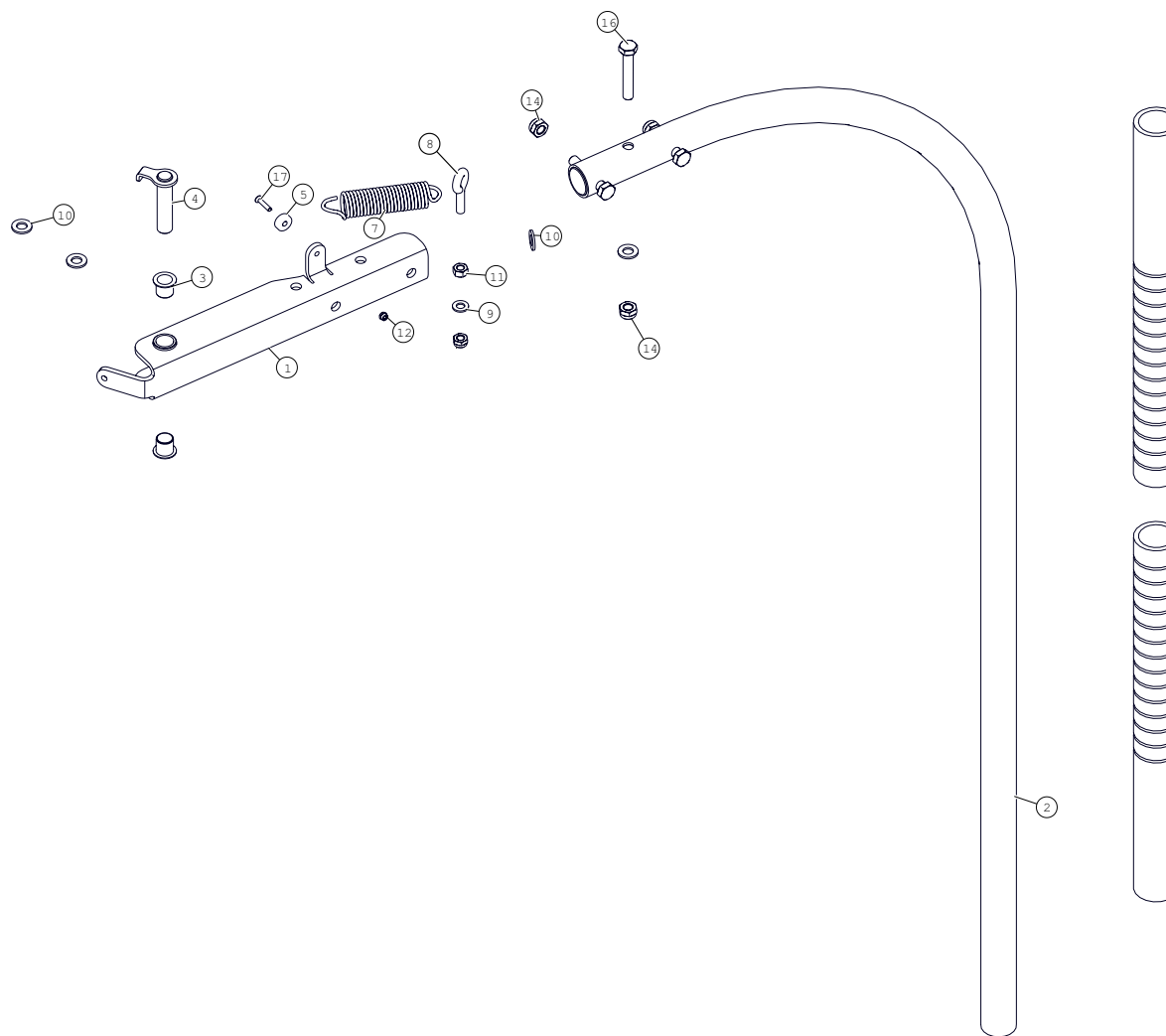
| POS. NR. | TEILE NR. | STUCK     | BENENNUNG | DESCRIPTION                                    | DESIGNATION | TECHNISCHE ANGABEN |
|----------|-----------|-----------|-----------|--|-------------|--------------------|
| POS. NR. | PART NR.  | QUANTITY  |           |  |             | TECHNICAL DATA     |
| POS. NO. | PIECE NO. | QUANTITEE |           |  |             | DONNEES TECHNIQUES |
| 1        | 1330015   | 1         |           | Cut & Start Cylinder                           |             |                    |
| 2        | 1330304   | 1         |           | Cut & Start Square Plunger Pin                 |             |                    |
| 3        | 1330310   | 1         |           | Cut & Start Main Frame                         |             |                    |
| 4        | 1330320   | 1         |           | Cut & Start Top Stage                          |             |                    |
| 5        | 1330330   | 3         |           | Cut & Start Wheel Complete                     |             |                    |
| 6        | 1330340   | 1         |           | Cut & Start Middle Stage                       |             |                    |
| 7        | 1330305   | 2         |           | Rubber Buffer 120 x 48mm                       |             |                    |
| 8        | 1330307   | 1         |           | Cut & Start Blade                              |             |                    |
| 9        | 1330324   | 1         |           | Gripper Mounting Profile                       |             |                    |
| 10       | 1330325   | 6         |           | Cut & Start Wheel Spacer                       |             |                    |
| 11       | 1330345   | 1         |           | Aluminium Plastic Remover                      |             |                    |
| 12       | CAW00047  | 1         |           | C&S Blade Protector                            |             |                    |
| 13       | FAS01003  | 6         |           | M6 Flat Washer [DIN 125]                       |             |                    |
| 14       | FAS01004  | 2         |           | M8 Flat Washer [DIN 125]                       |             |                    |
| 15       | FAS01005  | 5         |           | M10 Flat Washer [DIN 125]                      |             |                    |
| 16       | FAS01006  | 8         |           | M12 Flat Washer [DIN 125]                      |             |                    |
| 17       | FAS02004  | 2         |           | M8 Spring Lock Washer [DIN 127]                |             |                    |
| 18       | FAS05003  | 3         |           | M6 Locknut [DIN 985]                           |             |                    |
| 19       | FAS05006  | 3         |           | M10 Locknut [DIN 985]                          |             |                    |
| 20       | FAS05009  | 4         |           | M12 Locknut [DIN 985]                          |             |                    |
| 21       | FAS06169  | 3         |           | M12 X 65 Hex Bolt [DIN 931]                    |             |                    |
| 22       | FAS07058  | 3         |           | M6 X 25 Hex Set [DIN 933]                      |             |                    |
| 23       | FAS07088  | 2         |           | M8 X 16 Hex Set [DIN 933]                      |             |                    |
| 24       | FAS07142  | 2         |           | M10 X 30 Hex Set [DIN 933]                     |             |                    |
| 25       | FAS07184  | 1         |           | M12 X 35 Hex Set [DIN 933]                     |             |                    |
| 26       | FAS13107  | 1         |           | M12 X 40 Countersunk Allen Head Set [DIN 7991] |             |                    |
| 27       | FAS19059  | 1         |           | M8 X 45 Roll Pin [DIN 1481]                    |             |                    |
| 28       | Z03-25-05 | 4         |           | 4.8 x 16 (VLA4816) Pop Rivet L                 |             |                    |
| 29       | Z07-49    | 1         |           | Compression Spring Plated 120mm                |             |                    |

## 5. SPDW0092 TRI ARM ASSEMBLY



| POS. NR. | TEILE NR.    | STUCK     | BENENNUNG | DESCRIPTION                                   | DESIGNATION | TECHNISCHE ANGABEN |
|----------|--------------|-----------|-----------|---|-------------|--------------------|
| POS. NR. | PART NR.     | QUANTITY  |           |   |             | TECHNICAL DATA     |
| POS. NO. | PIECE NO.    | QUANTITEE |           |   |             | DONNEES TECHNIQUES |
| 1        | 1315403      | 2         |           | Main Arm Linkage Pin                          |             |                    |
| 2        | 1315405      | 3         |           | Linkage / Ram Pin                             |             |                    |
| 3        | 1330021      | 1         |           | Accumulator Kit                               |             |                    |
| 4        | 1330051      | 1         |           | Slew Ring 65T Counter Bored                   |             |                    |
| 5        | 1330420      | 1         |           | Wrap Arm Pivot Pin                            |             |                    |
| 6        | AWW00064     | 1         |           | Main Wrapping Arm                             |             |                    |
| 7        | AWW00066     | 1         |           | Secondary Slave Arm                           |             |                    |
| 8        | AWW00067     | 1         |           | Tertiary Slave Wrap Arm                       |             |                    |
| 9        | 1330020      | 2         |           | Tri Arm Unfold Cylinder                       |             |                    |
| 10       | 1340027      | 1         |           | Unfold Sensor Bracket                         |             |                    |
| 11       | 1309201      | 1         |           | RDS Sensor Magnet                             |             |                    |
| 12       | 1314502      | 2         |           | 100 x 40mm Rubber Pad                         |             |                    |
| 13       | 1330637      | 1         |           | Unfold Magnet Bracket                         |             |                    |
| 14       | CAW00113     | 1         |           | Wrap Cable Protection Disc                    |             |                    |
| 15       | CAW00091     | 1         |           | Unfold Buffer Mounting                        |             |                    |
| 16       | CAW00115     | 1         |           | Safety Arm Stop_Wide                          |             |                    |
| 17       | Z03-22-07    | 1         |           | 3/8" Curved Linch Pin                         |             |                    |
| 18       | Z03-20-27 DU | 4         |           | 40mm ID, 40mm Long                            |             |                    |
| 19       | Z01-03-1047  | 1         |           | 1/4" Variable Restrictor                      |             |                    |
| 20       | Z40-20       | 2         |           | 50mm x 42 Type D Buffer                       |             |                    |
| 21       | Z40-28       | 1         |           | 50mm x 21 Type D Buffer                       |             |                    |
| 22       | FAS07136     | 2         |           | M10 X 20 Hex Set [DIN 933]                    |             |                    |
| 23       | FAS01004     | 12        |           | M8 Flat Washer [DIN 125]                      |             |                    |
| 24       | FAS04009     | 2         |           | M10 Plain Hex Nut [DIN 934]                   |             |                    |
| 25       | FAS04012     | 1         |           | M12x1.25 Plain Hex Nut [DIN 934]              |             |                    |
| 26       | FAS05003     | 1         |           | M6 Locknut [DIN 985]                          |             |                    |
| 27       | FAS05004     | 4         |           | M8 Locknut [DIN 985]                          |             |                    |
| 28       | FAS05006     | 7         |           | M10 Locknut [DIN 985]                         |             |                    |
| 29       | FAS07091     | 1         |           | M8 X 20 Hex Set [DIN 933]                     |             |                    |
| 30       | FAS07094     | 7         |           | M8 X 25 Hex Set [DIN 933]                     |             |                    |
| 31       | FAS07142     | 2         |           | M10 X 30 Hex Set [DIN 933]                    |             |                    |
| 32       | FAS07349     | 2         |           | M10 X 35 Hex Set [DIN 933]                    |             |                    |
| 33       | FAS05004     | 1         |           | M8 Locknut [DIN 985]                          |             |                    |
| 34       | FAS12231     | 10        |           | M12x1.25 X 50 Allen Head Set [DIN 912]        |             |                    |
| 35       | FAS12240     | 2         |           | M12x1.25 X 60 Allen Head Set [DIN 912]        |             |                    |
| 36       | FAS13051     | 1         |           | M6 X 30 Countersunk Allen Head Set [DIN 7991] |             |                    |
| 37       | FAS30106     | 12        |           | M12 Nordlock Washers (Pairs)                  |             |                    |
| 38       | FAS01004     | 3         |           | M8 Flat Washer [DIN 125]                      |             |                    |
| 39       | FAS02004     | 3         |           | M8 Spring Lock Washer [DIN 127]               |             |                    |
| 40       | FAS01005     | 12        |           | M10 Flat Washer [DIN 125]                     |             |                    |
| 41       | FAS07097     | 1         |           | M8 X 30 Hex Set [DIN 933]                     |             |                    |

## 5. SPDW0093\_02 SAFETY ARM ASSEMBLY

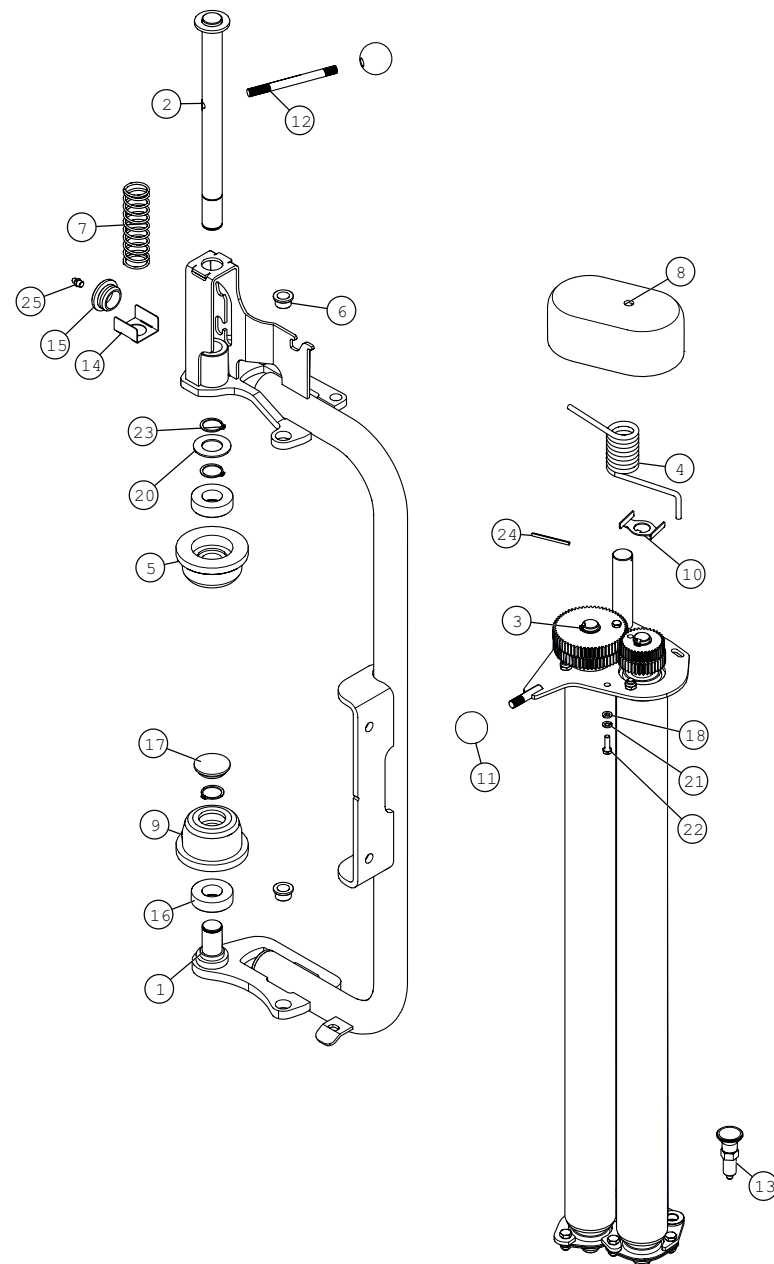


| POS. NR.<br>POS. NR.<br>POS. NO. | TEILE NR.<br>PART NR.<br>PIECE NO. | STUCK<br>QUANTITY<br>QUANTITEE | BENENNUNG | DESCRIPTION                                   | DESIGNATION | TECHNISCHE ANGABEN<br>TECHNICAL DATA<br>DONNEES TECHNIQUES |
|----------------------------------|------------------------------------|--------------------------------|-----------|---|-------------|--|
| 1                                | AWW00019                           | 1                              |           | Safety Arm Bracket                            |             |  |
| 2                                | CAW00039                           | 1                              |           | Safety Arm Assembly                           |             |  |
| 3                                | CAW00031                           | 2                              |           | IGUS Safety Arm Pivot Bush                    |             |  |
| 4                                | CAW00035                           | 1                              |           | Safety Arm Pivot Pin                          |             |  |
| 5                                | 1309206                            | 1                              |           | Red Magnet                                    |             |  |
| 6                                | 1330043                            | 2                              |           | Safety Arm Foam Cover                         |             |  |
| 7                                | 34430300                           | 1                              |           | Pull Spring ( 26 x 3.25 x 12)                 |             |  |
| 8                                | FAS36002                           | 1                              |           | M8 x 30mm Turned Eye Bolt                     |             |  |
| 9                                | FAS01004                           | 1                              |           | M8 Flat Washer [DIN 125]                      |             |  |
| 10                               | FAS01005                           | 4                              |           | M10 Flat Washer [DIN 125]                     |             |  |
| 11                               | FAS04005                           | 1                              |           | M8 Plain Hex Nut [DIN 934]                    |             |  |
| 12                               | FAS05001                           | 1                              |           | M4 Locknut [DIN 985]                          |             |  |
| 13                               | FAS05004                           | 1                              |           | M8 Locknut [DIN 985]                          |             |  |
| 14                               | FAS05006                           | 3                              |           | M10 Locknut [DIN 985]                         |             |  |
| 15                               | FAS06127                           | 2                              |           | M10 X 55 Hex Bolt [DIN 931]                   |             |  |
| 16                               | FAS06130                           | 1                              |           | M10 X 60 Hex Bolt [DIN 931]                   |             |  |
| 17                               | FAS13009                           | 1                              |           | M4 X 20 Countersunk Allen Head Set [DIN 7991] |             |  |

TANCO S200-VA SPDW0093\_02

| SAFETY ARM ASSEMBLY |

## 6. SPDW0010 DISPENSER ASSEMBLY

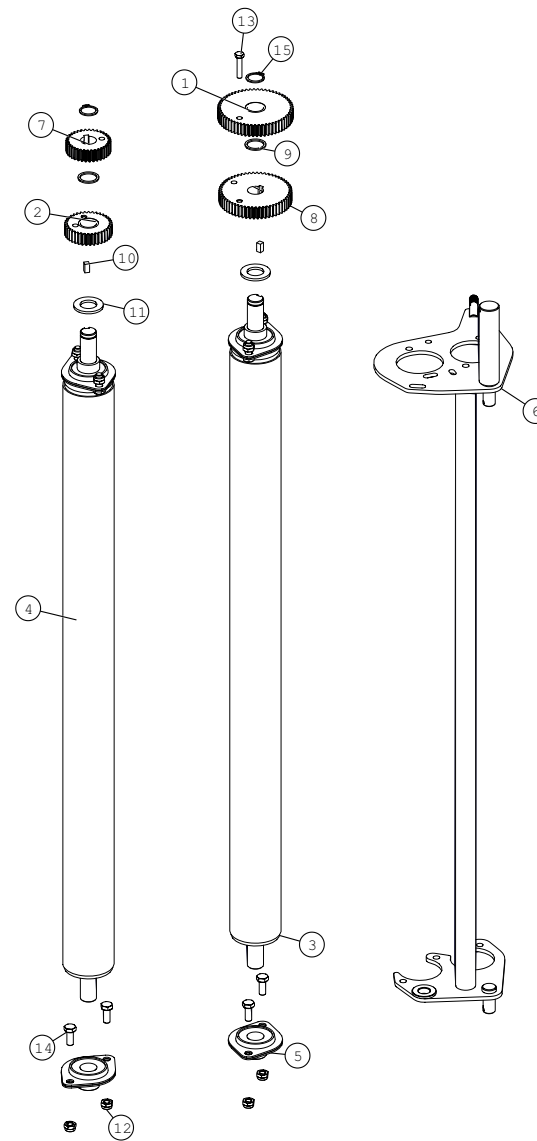


| POS. NR.<br>POS. NR.<br>POS. NO. | TEILE NR.<br>PART NR.<br>PIECE NO. | STUCK<br>QUANTITY<br>QUANTITEE | BENENNUNG | DESCRIPTION                           | DESIGNATION | TECHNISCHE ANGABEN<br>TECHNICAL DATA<br>DONNEES TECHNIQUES |
|----------------------------------|------------------------------------|--------------------------------|-----------|---------------------------------------|-------------|--|
| 1                                | AWW00013                           | 1                              |           | Dispenser Frame                       |             |  |
| 2                                | CAW00042                           | 1                              |           | Top Cone Mounting Pin                 |             |  |
| 3                                | CAW00046                           | 1                              |           | Dispenser Insert Assembly             |             |  |
| 4                                | 1115109                            | 1                              |           | Dispenser Torsion Spring              |             |  |
| 5                                | 1115110                            | 1                              |           | Upper Cone                            |             |  |
| 6                                | 1115111                            | 2                              |           | Dispenser Insert Pivot Bush           |             |  |
| 7                                | 1305021                            | 1                              |           | Compression Spring                    |             |  |
| 8                                | 1305125                            | 1                              |           | Dispenser Gearbox Cover TDG01         |             |  |
| 9                                | 1405006                            | 1                              |           | Bottom Nylon Cone                     |             |  |
| 10                               | 2011066                            | 1                              |           | A200 Film Break Bracket               |             |  |
| 11                               | CAW00043                           | 2                              |           | Dispenser Ball Handle                 |             |  |
| 12                               | CAW00044                           | 1                              |           | Cone Rod                              |             |  |
| 13                               | CAW00045                           | 1                              |           | Dispenser Index Plunger               |             |  |
| 14                               | CAW00066                           | 1                              |           | Spring Retainer Profile               |             |  |
| 15                               | CSW00002                           | 2                              |           | 42mm OD Tube Cap                      |             |  |
| 16                               | Z06-AWRB                           | 2                              |           | Ball Bearing (6205-ZZ LDK)            |             |  |
| 17                               | Z32-15F                            | 1                              |           | 1 1/4" NB Tube Insert (37mm)          |             |  |
| 18                               | FAS01003                           | 2                              |           | M6 Flat Washer [DIN 125]              |             |  |
| 19                               | FAS01007                           | 2                              |           | M14 Flat Washer [DIN 125]             |             |  |
| 20                               | FAS01017                           | 1                              |           | M25 Flat Washer [Light Duty]          |             |  |
| 21                               | FAS02003                           | 2                              |           | M6 Spring Lock Washer [DIN 127]       |             |  |
| 22                               | FAS07055                           | 2                              |           | M6 X 20 Hex Set [DIN 933]             |             |  |
| 23                               | FAS17013                           | 3                              |           | External Circlip - 25 X 1.2 [DIN 471] |             |  |
| 24                               | FAS19022                           | 3                              |           | M4 X 50 Roll Pin [DIN 1481]           |             |  |
| 25                               | FAS27005                           | 1                              |           | M8 x 1.25 Grease Nipple [DIN 71412 A] |             |  |

TANCO S200 -VA SPDW0010

| DISPENSER ASSEMBLY |

## 6.1 CAW00046 DISPENSER INSERT

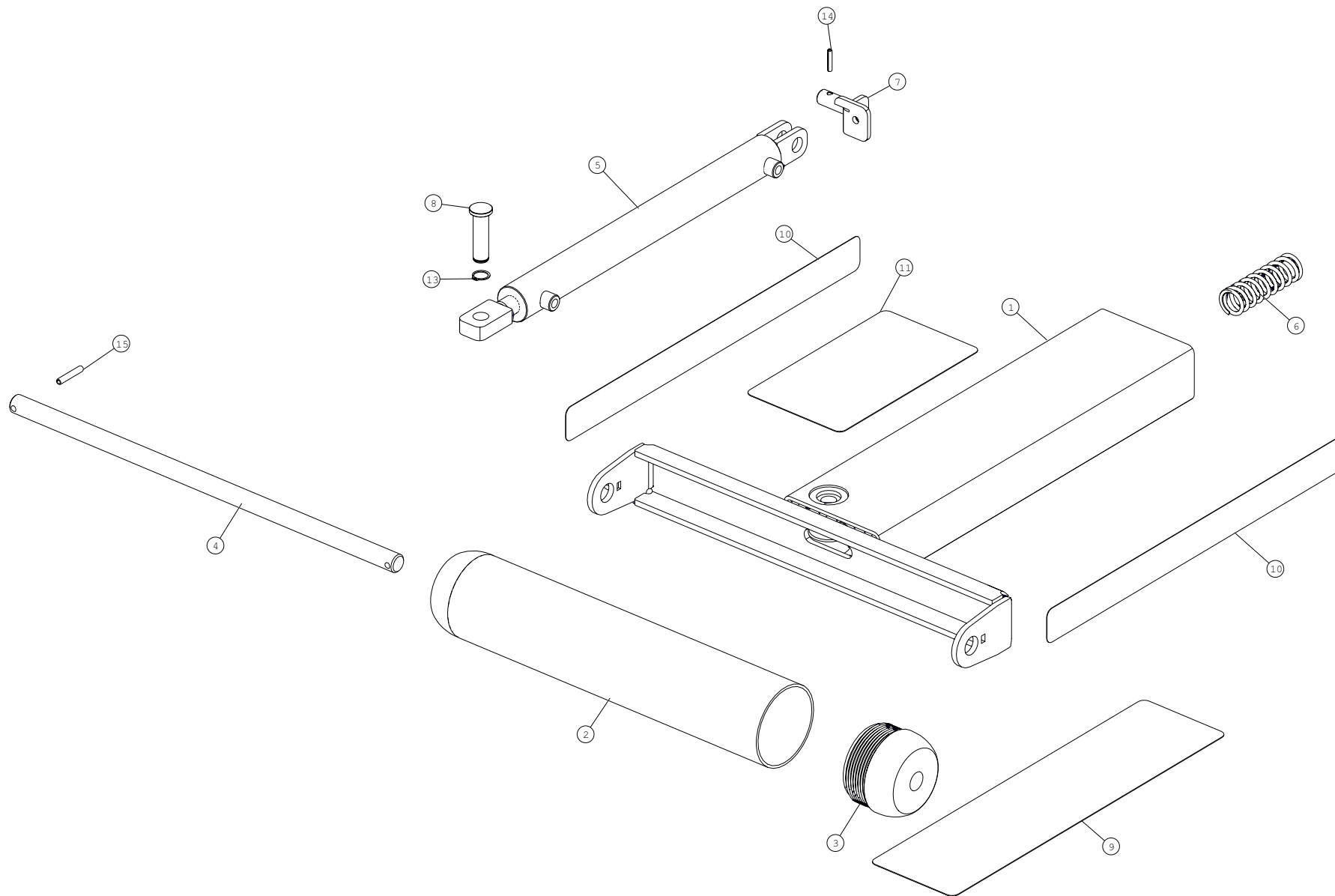


| POS. NR.<br>POS. NR.<br>POS. NO. | TEILE NR.<br>PART NR.<br>PIECE NO. | STUCK<br>QUANTITY<br>QUANTITEE | BENENNUNG | DESCRIPTION                           | DESIGNATION | TECHNISCHE ANGABEN<br>TECHNICAL DATA<br>DONNEES TECHNIQUES |
|----------------------------------|------------------------------------|--------------------------------|-----------|---------------------------------------|-------------|--|
| 1                                | 1305101                            | 1                              |           | 60T x 16mm 70% Dispenser Gear         |             |  |
| 2                                | 1305104                            | 1                              |           | 37T x 16mm 55% Dispenser Gear         |             |  |
| 3                                | 1305120                            | 1                              |           | Inner Roller                          |             |  |
| 4                                | 1305121                            | 1                              |           | Outer Roller                          |             |  |
| 5                                | 1305122                            | 4                              |           | RHP Bearing SLFL20A (204)             |             |  |
| 6                                | AWW00026                           | 1                              |           | Dispenser Insert Frame                |             |  |
| 7                                | 1305102                            | 1                              |           | 35T x 16mm 70% Dispenser Gear         |             |  |
| 8                                | 1305103                            | 1                              |           | 55% Disp. Gear (58T x 16mm)           |             |  |
| 9                                | 1305115                            | 2                              |           | Copper Washer                         |             |  |
| 10                               | 1305123                            | 2                              |           | 6mm Key Steel x 12mm Long             |             |  |
| 11                               | FAS01010                           | 2                              |           | M20 Flat Washer [DIN 125]             |             |  |
| 12                               | FAS05004                           | 8                              |           | M8 Locknut [DIN 985]                  |             |  |
| 13                               | FAS06040                           | 1                              |           | M6 X 30 Hex Bolt [DIN 931]            |             |  |
| 14                               | FAS07091                           | 8                              |           | M8 X 20 Hex Set [DIN 933]             |             |  |
| 15                               | FAS17009                           | 2                              |           | External Circlip - 20 X 1.2 [DIN 471] |             |  |

TANCO S200-VA CAW00046

| DISPENSER INSERT |

## 7. SPDW0030 END TIP ASSEMBLY

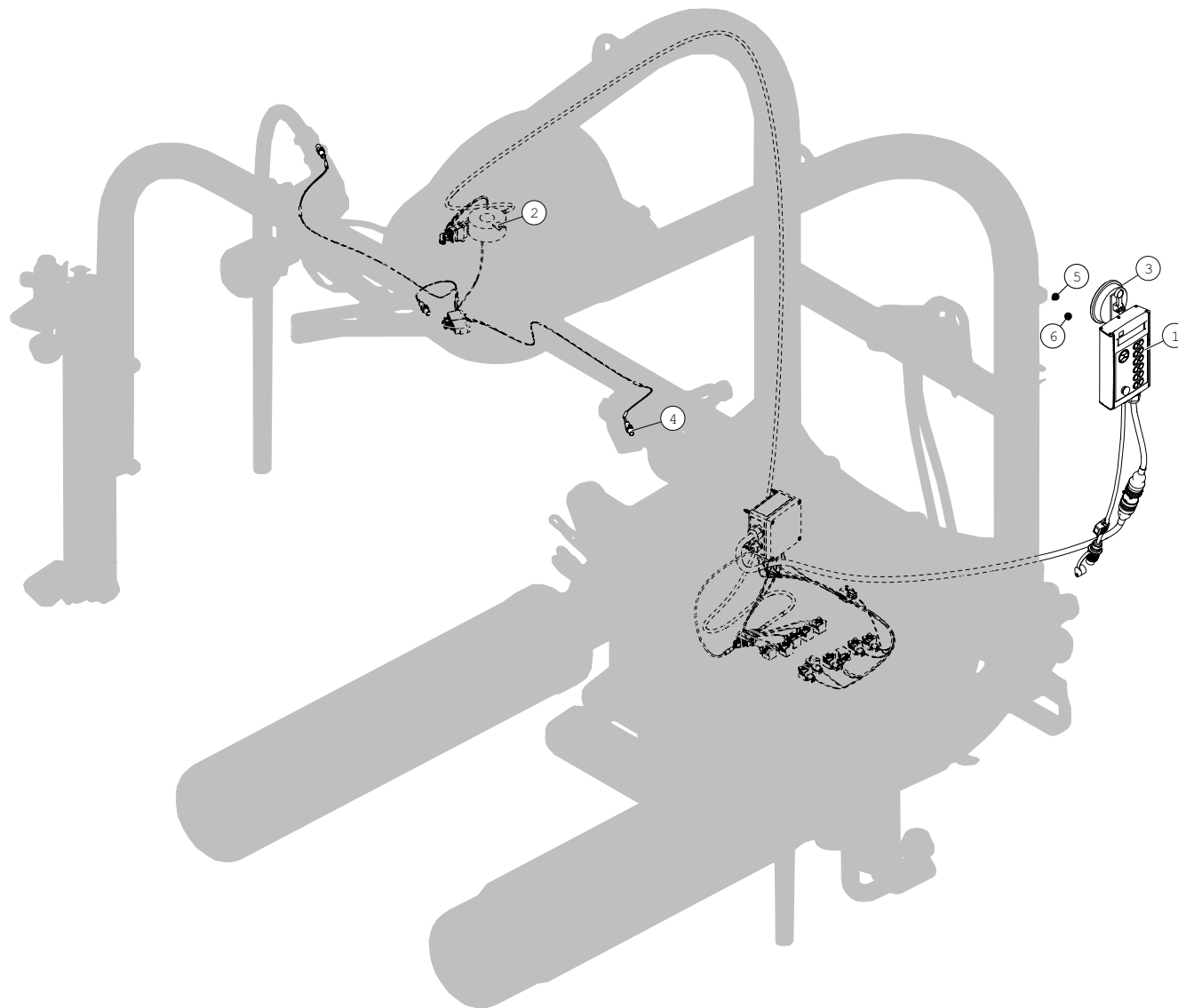


| POS. NR.<br>POS. NR.<br>POS. NO. | TEILE NR.<br>PART NR.<br>PIECE NO. | STUCK<br>QUANTITY<br>QUANTITEE | BENENNUNG | DESCRIPTION                           | DESIGNATION | TECHNISCHE ANGABEN<br>TECHNICAL DATA<br>DONNEES TECHNIQUES |
|----------------------------------|------------------------------------|--------------------------------|-----------|---------------------------------------|-------------|--|
| 1                                | 1340185                            | 1                              |           | End-Tip Frame                         |             |  |
| 2                                | 1340183                            | 1                              |           | End-Tip Roller Tube                   |             |  |
| 3                                | 1100156                            | 2                              |           | Roller End Cap                        |             |  |
| 4                                | 1340182                            | 1                              |           | End-Tip Roller Shaft                  |             |  |
| 5                                | 1340205                            | 1                              |           | S Series Sliding End-tip Cylinder     |             |  |
| 6                                | Z07-49                             | 1                              |           | Compression Spring Plated 120mm       |             |  |
| 7                                | 1340190                            | 1                              |           | Cylinder/Spring Mounting Pin          |             |  |
| 8                                | 1340195                            | 1                              |           | Cylinder Rod Pin                      |             |  |
| 9                                | 1340202                            | 1                              |           | IGUS Tape Bottom                      |             |  |
| 10                               | 1340203                            | 2                              |           | IGUS Tape Side                        |             |  |
| 11                               | 1340204                            | 1                              |           | IGUS Tape Top                         |             |  |
| 12                               | FAS17009                           | 1                              |           | External Circlip - 20 X 1.2 [DIN 471] |             |  |
| 13                               | FAS19033                           | 1                              |           | M6 X 30 Roll Pin [DIN 1481]           |             |  |
| 14                               | FAS19059                           | 1                              |           | M8 X 45 Roll Pin [DIN 1481]           |             |  |

TANCO S200-VA SPDW0030

| END TIP ASSEMBLY |

## 8. SPDW0104 ELECTRICAL COMPONENTS

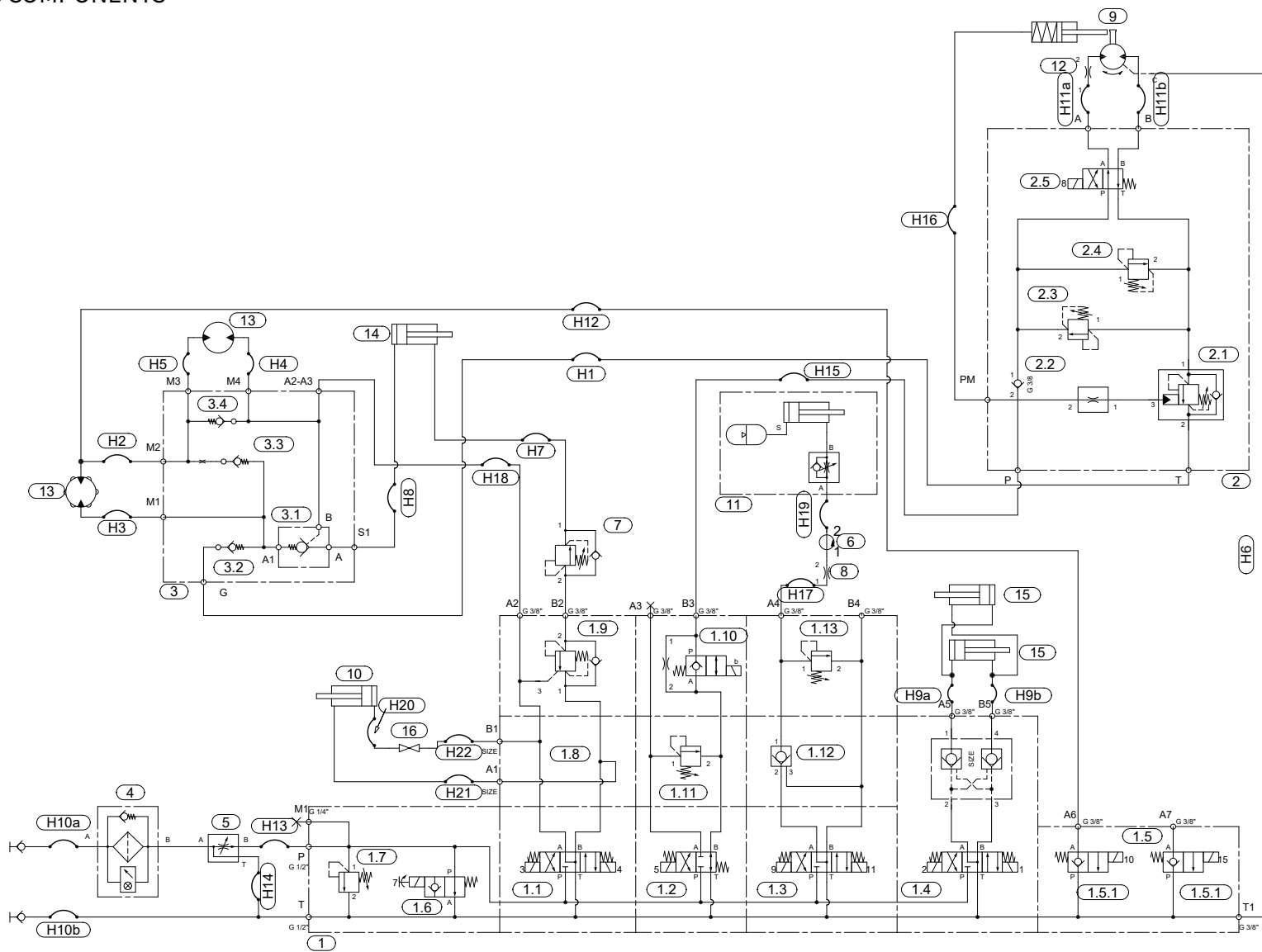


| POS. NR.<br>POS. NR.<br>POS. NO. | TEILE NR.<br>PART NR.<br>PIECE NO. | STUCK<br>QUANTITY<br>QUANTITEE | BENENNUNG | DESCRIPTION                       | DESIGNATION | TECHNISCHE ANGABEN<br>TECHNICAL DATA<br>DONNEES TECHNIQUES |
|----------------------------------|------------------------------------|--------------------------------|-----------|-----------------------------------|-------------|--|
| 1                                | CKC00105                           | 1                              |           | VA Expert 2 Headunit              |             |  |
| 2                                | 1330055                            | 1                              |           | 6 Way Electrical Slip Ring        |             |  |
| 3                                | 1309023                            | 1                              |           | Suction Cup Assembly              |             |  |
| 4                                | CEL00032                           | 3                              |           | M12 Reed Type Sesnor (1.1M Cable) |             |  |
| 5                                | FAS01004                           | 2                              |           | M8 Flat Washer [DIN 125]          |             |  |
| 6                                | FAS05004                           | 2                              |           | M8 Locknut [DIN 985]              |             |  |

TANCO S200-VA SPDW0104

| ELECTRIC ASSEMBLY |

## 9. HYDRAULIC COMPONENTS

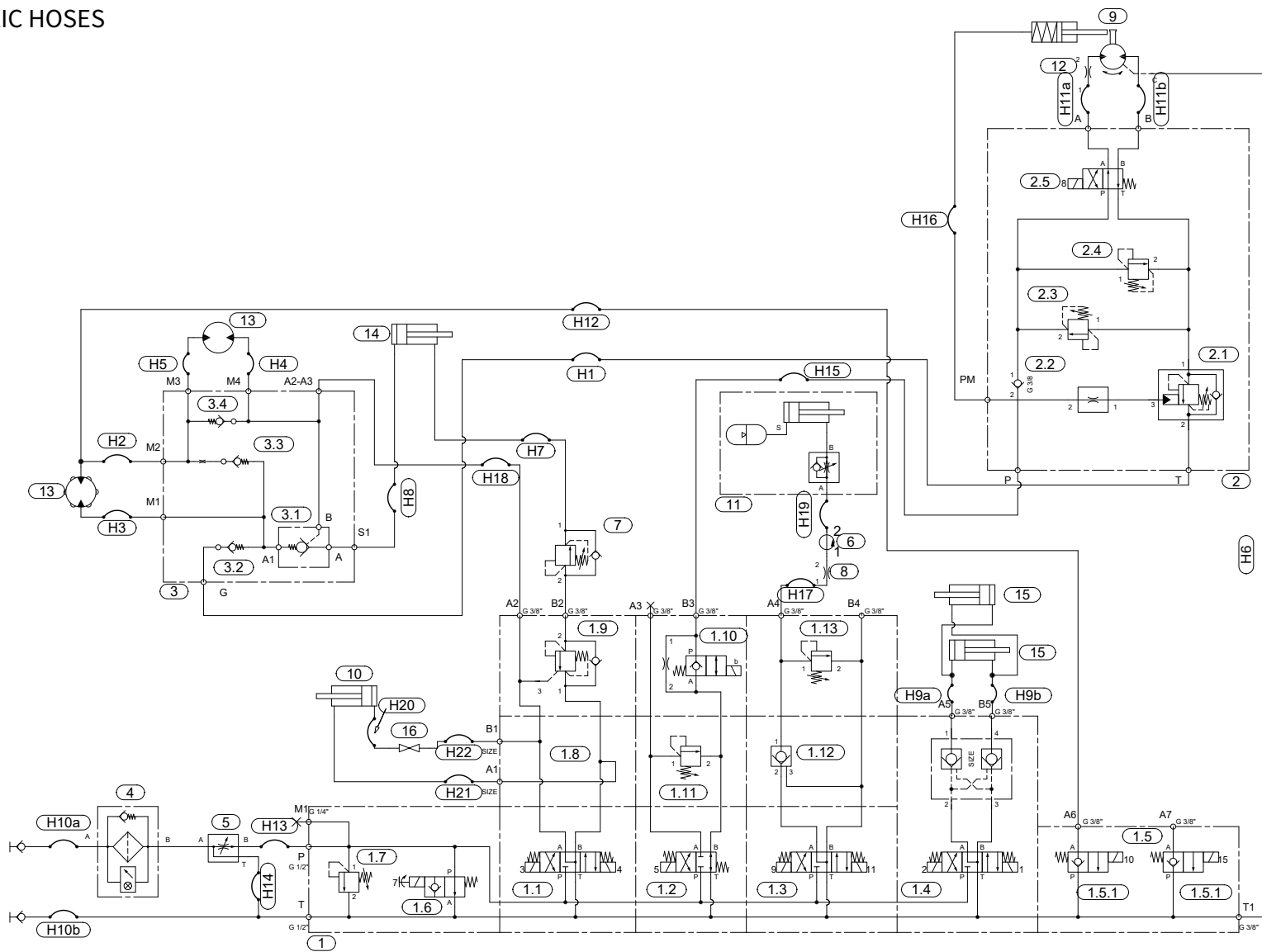


## Hydraulic Components

| Pos.  | Part No. | Designation  | Qty |
|-------|----------|--|-----|
| 1     | 1318100  | Main Control Valve                                 | 1   |
| 1.1   | CVA00088 | Roller Section                                     | 1   |
| 1.2   | CVA00221 | Arm Rotate Section                                 | 1   |
| 1.3   | CVA00212 | Unfold Section                                     | 1   |
| 1.4   | CVA00072 | Cut and Start Section                              | 1   |
| 1.5   | CVA00084 | End Section with Return Ports                      | 1   |
| 1.5.1 | CVA00045 | Poppet Valve                                       | 2   |
| 1.6   | CVA00175 | Master Valve Lockable                              | 1   |
| 1.7   | CVA00047 | Pressure relief valve                              | 1   |
| 1.8   | CVA00081 | Stackable Elements End Tip Block                   | 1   |
| 1.9   | CVA00086 | Single Overcentre Valve                            | 1   |
| 1.1   | CVA00090 | Stackable Element Two Speed Valve<br>Hershman Coil | 1   |
| 1.11  | CVA00087 | Stackable Element Pressure Relief<br>Element       | 1   |
| 1.12  | CVA00056 | Pilot Operated Check Valve                         | 1   |
| 1.13  | CVA00211 | Relief Valve VSBN-10A                              | 1   |
| 2     | 1308180  | Tower Block  | 1   |
| 2.1   | CVA00013 | Counterbalance valve                               | 1   |
| 2.2   | CVA00014 | Insert Check Valve                                 | 1   |
| 2.3   | CVA00012 | Cross Sign Relief Valve                            | 1   |

| Pos. | Part No.       | Designation                       | Qty |
|------|----------------|-----------------------------------|-----|
| 2.4  | CVA00012       | Cross Sign Relief Valve           | 1   |
| 2.5  | CVA00118       | Hershman Coil Reversing Valve     | 1   |
| 3    | 1308350        | Assembly Block                    | 1   |
| 3.1  | CVA00024       | Pilot Operated Check Valve        | 1   |
| 3.2  | CVA00014       | Insert Check Valve                | 1   |
| 3.3  | CVA00014       | Insert Check Valve                | 1   |
| 3.4  | CVA00014       | Insert Check Valve                | 1   |
| 4    | 1308075        | High pressure filter              | 1   |
| 5    | Z01-03-10-A7L  | Priority Flow Regulator Hydraquip | 1   |
| 6    | 1330099        | Rotary coupling                   | 1   |
| 7    | Z01-03-10-A8SQ | Sequence Overcentre Inline Val    | 1   |
| 8    | Z01-03-1047    | 1/4" Speed Control Valve          | 1   |
| 9    | 1330070        | 300CC 2000 Series Motor           | 1   |
| 10   | 1340205        | End Tip Cylinder                  | 1   |
| 11   | 1518170        | Arm Folding Ram                   | 1   |
| 12   | X01-03-1046    | Speed control valve               | 1   |
| 13   | 1340155        | Roller Drive Motor                | 2   |
| 14   | 1318250        | Width Cylinder                    | 1   |
| 15   | 1330015        | Cut & Start Cylinder              | 2   |
| 16   | Z01-16-06      | Shut Off Valve                    | 1   |

## 9.1 HYDRAULIC HOSES



## Hydraulic Hoses

| Pos. | Part No. | Designation             | Qty |
|------|----------|-------------------------|-----|
| H1   | FHA00163 | 0200_520_0290_02B90_06  | 1   |
| H2   | FHA00134 | 0200_1510_0200_02B90_00 | 1   |
| H3   | FHA00154 | 0200_1590_0200_02B90_00 | 1   |
| H4   | FHA00135 | 0200_1550_0200_02B90_00 | 1   |
| H5   | FHA00136 | 0200_1450_0200_02B90_00 | 1   |
| H6   | FHA00137 | 0100_3850_0190_0190_13  | 1   |
| H7   | FHA00139 | 0200_1150_0290_02_06    | 1   |
| H8   | FHA00162 | 0200_1200_0290_02_06    | 1   |
| H9a  | FHA00140 | 0100_1650_0100_0145_00  | 1   |
| H9b  | FHA00140 | 0100_1650_0100_0145_00  | 1   |
| H10a | FHA00141 | 0300_1950_0300_0390_00  | 1   |
| H10b | FHA00141 | 0300_1950_0300_0390_00  | 1   |
| H11a | FHA00067 | 0200_3900_0290_0200_00  | 1   |
| H11b | FHA00067 | 0200_3900_0290_0200_00  | 1   |
| H12  | FHA00143 | 0200_230_0200_0290_00   | 1   |
| H13  | FHA00144 | 0200_450_0200_02_00     | 1   |
| H14  | FHA00145 | 0200_530_0390_0200_00   | 1   |
| H15  | FHA00146 | 0200_200_0290_0290_13   | 1   |
| H16  | FHA00068 | 0100_3850_0190_01_10    | 1   |
| H17  | FHA00164 | 0100_4000_0190_01_13    | 1   |

|            |                 |                              |          |
|------------|-----------------|------------------------------|----------|
| <b>H18</b> | <b>FHA00148</b> | <b>0200_520_0200_0290_00</b> | <b>1</b> |
| H19        | FHA00041        | 0100_900_0100_01_00          | 1        |
| H20        | FHA00151        | 0200_500_02B90_0200_00       | 1        |
| H21        | FHA00152        | 0200_800_0290_02B90_07       | 1        |
| H22        | FHA00150        | 0200_400_0290_0200_00        | 1        |



# TANCO



## Contact

### Address

**Tanco Autowrap Ltd.**  
Royal Oak Road,  
Bagenaltown  
Co. Carlow  
Ireland

### Phone & Online

Phone: + 353 59 972 1336  
Email: [info@itanco.com](mailto:info@itanco.com)  
Website: [www.tanco.global](http://www.tanco.global)  
Support: [tanco.zendesk.com](https://tanco.zendesk.com)